



ASSEMBLY INSTRUCTIONS
COASTER FINE FURNITURE



Fine Furniture for every stage of life

501840

REVERSIBLE SECTIONAL W/ STORAGE OTTOMAN

ITEM : 501840
ASSEMBLY INSTRUCTIONS



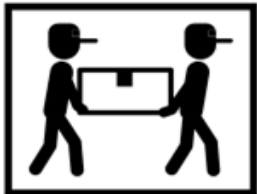
ASSEMBLY TIPS:

- 1.Remove hardware from box and sort by size.
- 2.Please check to see that all hardware and parts are present prior to start of assembly.
- 3.Please follow attached instruction in the same sequence as numbered to assure fast & easy assembly.



WARNING!

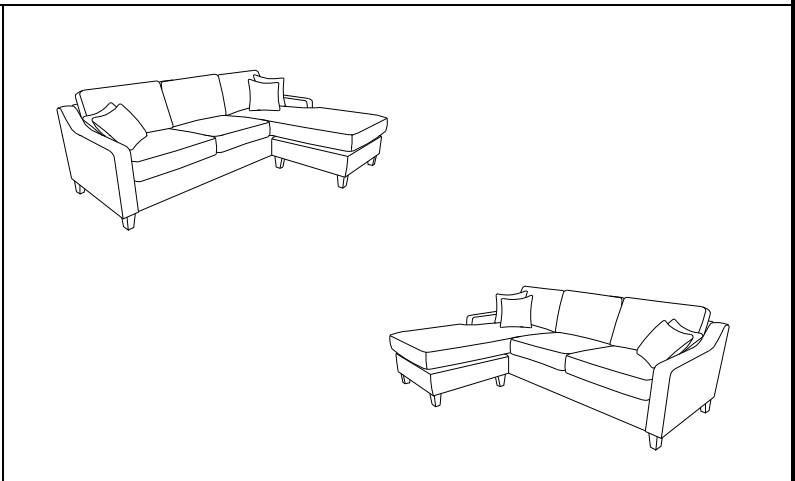
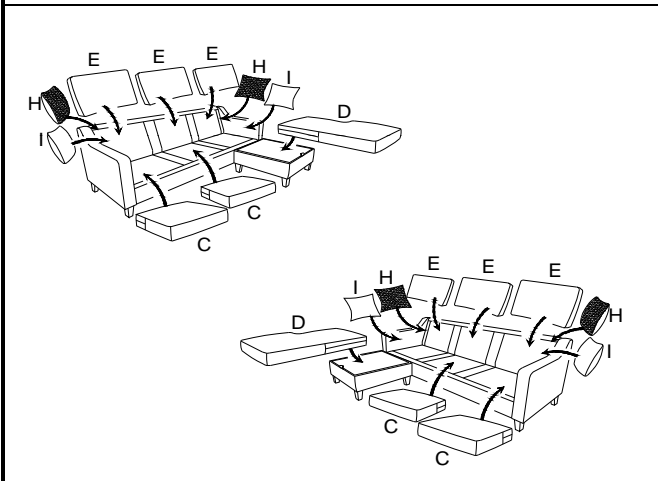
- 1.Don't attempt to repair or modify parts that are broken or defective. Please contact the store immediately.
- 2.This product is for home use only and not intended for commercial establishment.



ASSEMBLY TIME

10 MINUTES

PARTS IDENTIFICATION



A	BACK FRAME		1PC
B	SEAT FRAME		1PC
C	SMALL SEAT CUSHION		2PCS
D	LARGE SEAT CUSHION		1PC
E	BACK CUSHION		3PCS
F	LEFT ARM FRAME		1PC
G	RIGHT ARM FRAME		1PC
H	PATTERNED PILLOW		2PCS
I	PLAIN PILLOW		2PCS
J	LEG		8PCS
K	OTTOMAN		1PC

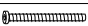
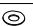


Z	HARDWARE PACKAGE		
NO	DESCRIPTION	FIGURE	QTY
1	LONG BOLT 5/16" * 3"		8PCS
2	MEDIUM BOLT 5/16" * 2-1/2"		8PCS
3	FLAT WASHER 5/16" * 19mm		9 PCS+1PC SPARE
4	LOCK WASHER 5/16" * 13mm		9 PCS+1PC SPARE
5	ALLEN KEY M5		1PC
6	PLASTIC CAPS ø 19.5*21.5mm		8PCS
7	SHORT BOLT 5/16" * 1-3/8"		1PC

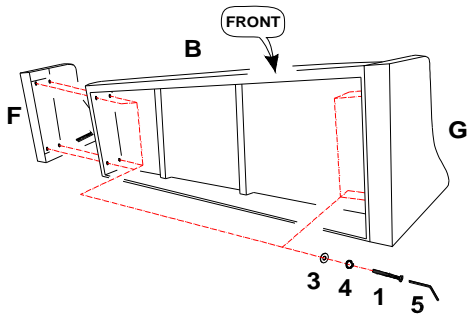
ITEM : 501840

ASSEMBLY INSTRUCTIONS

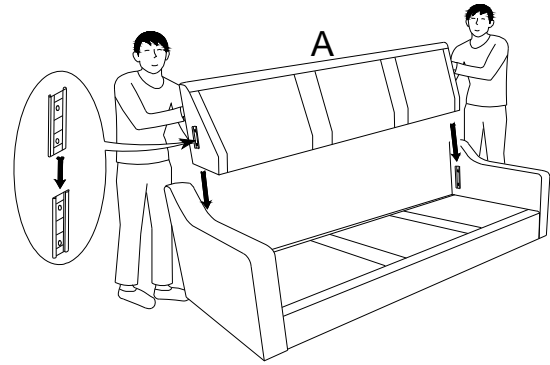


STEP 1

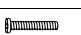



1		X 8	3		X 8
4		X 8	5		X 1

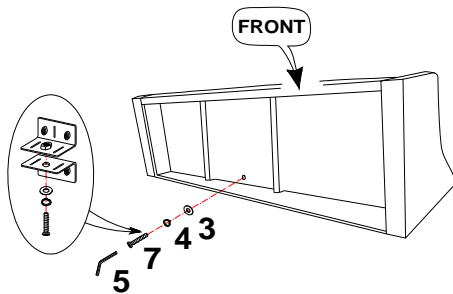


STEP 2



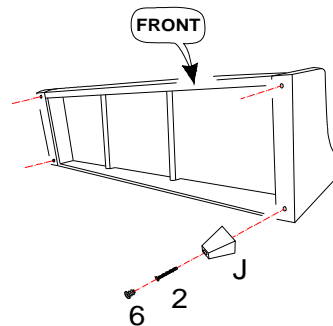
STEP 3

7		X 1	3		X 1
4		X 1	5		X 1

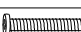



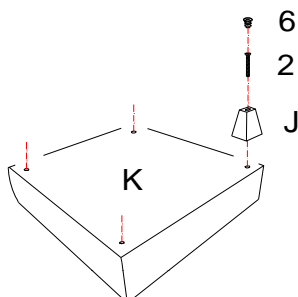
STEP 4

2		X 4	6		X 4
---	--	-----	---	---	-----

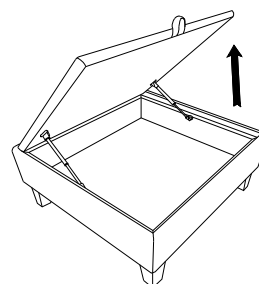


STEP 5

2		X 4	6		X 4
---	---	-----	---	---	-----



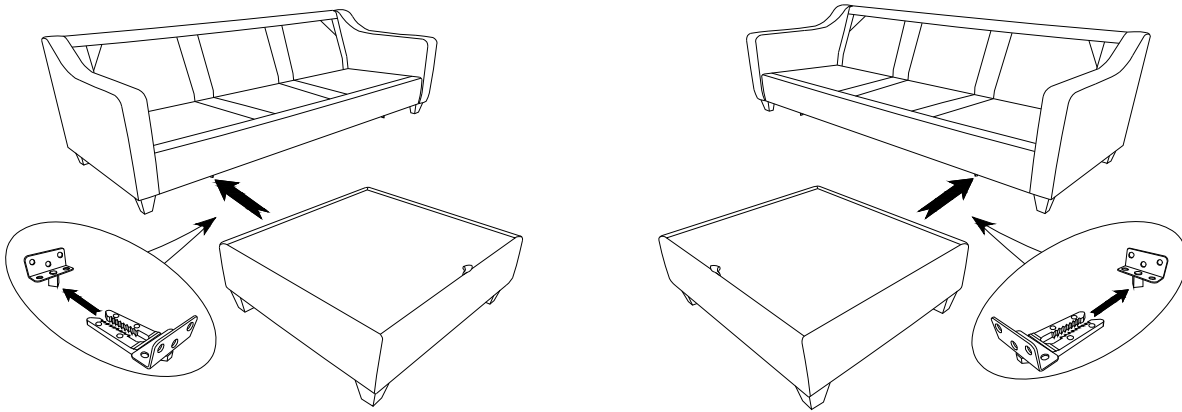
STEP 6



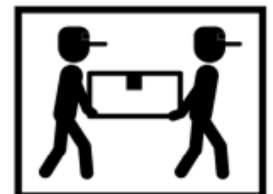
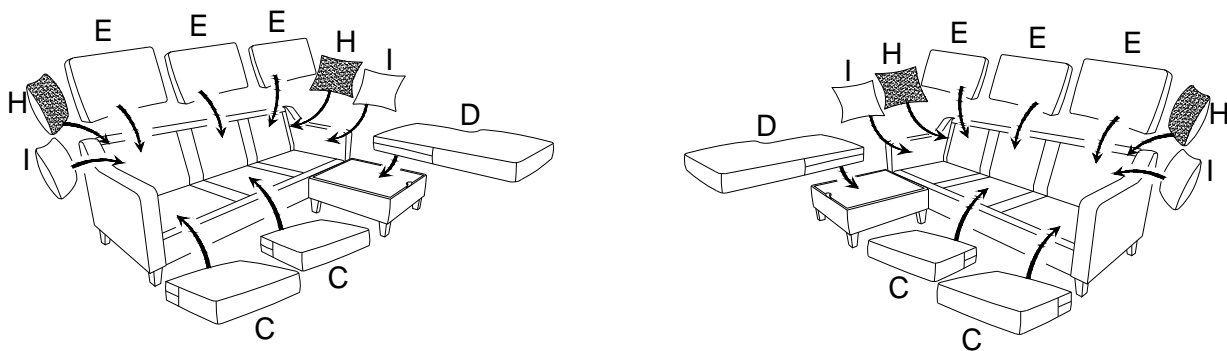
ITEM : 501840
ASSEMBLY INSTRUCTIONS



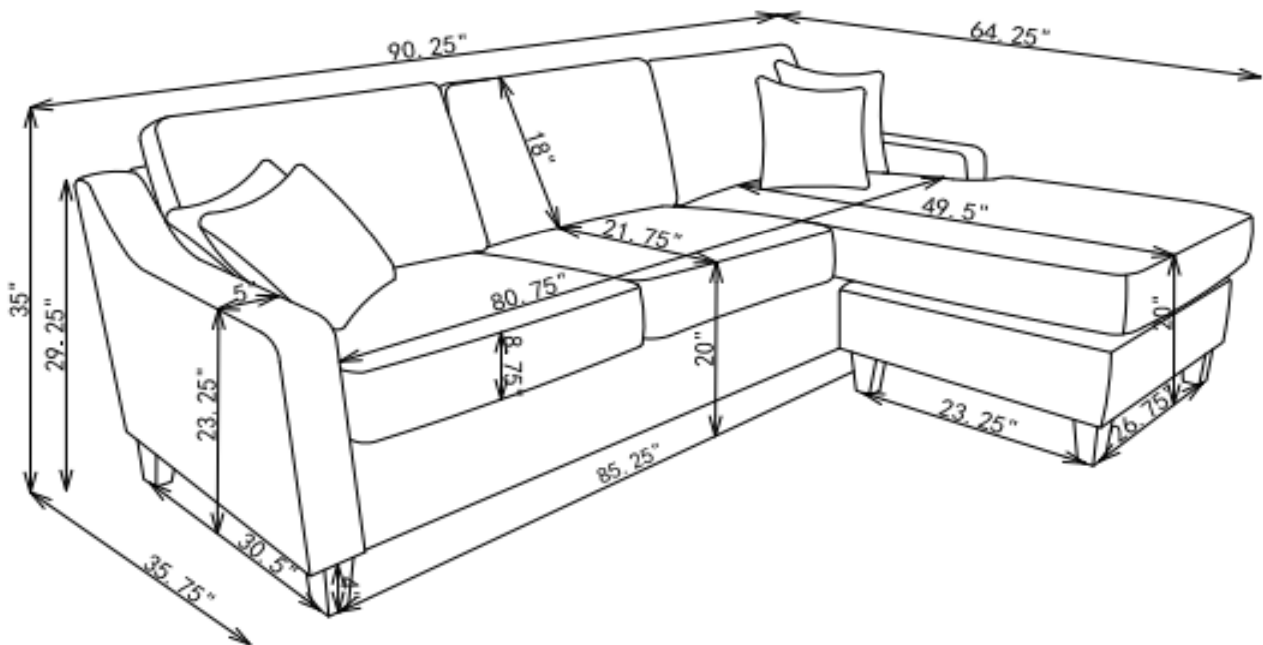
STEP 7



STEP 8



501840



Note: Dimension tolerance $\pm 5\%$

