

*ASSEMBLY INSTRUCTIONS*  
*COASTER FINE FURNITURE*



*Fine Furniture for every stage of life*

**506252**  
**LOVESEAT**

ITEM : 506252

ASSEMBLY INSTRUCTIONS



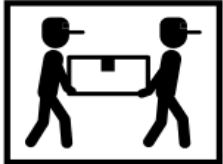
ASSEMBLY TIPS:

- 1.Remove hardware from box and sort by size.
- 2.Please check to see that all hardware and parts are present prior to start of assembly.
- 3.Please follow attached instruction in the same sequence as numbered to assure fast & easy assembly.



**WARNING!**

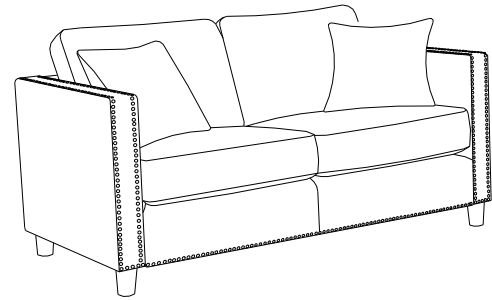
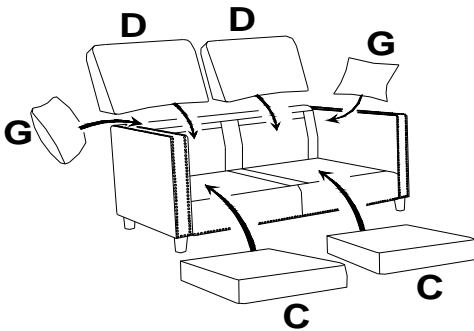
- 1.Don't attempt to repair or modify parts that are broken or defective. Please contact the store immediately.
- 2.This product is for home use only and not intended for commercial establishment.



ASSEMBLY TIME

10 MINUTES

**PARTS IDENTIFICATION**



- |   |                 |  |      |
|---|-----------------|--|------|
| A | BACK FRAME      |  | 1PC  |
| B | SEAT FRAME      |  | 1PC  |
| C | SEAT CUSHION    |  | 2PCS |
| D | BACK CUSHION    |  | 2PCS |
| E | LEFT ARM FRAME  |  | 1PC  |
| F | RIGHT ARM FRAME |  | 1PC  |
| G | PILLOW          |  | 2PCS |
| H | FOOT            |  | 4PCS |

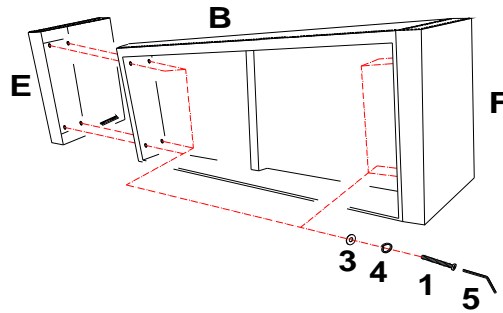
Z	HARDWARE PACKAGE		
NO	DESCRIPTION	FIGURE	QTY
1	BOLT 5/16" * 3 "		8PCS
2	PLASTIC GASKET 5/16" * 49mm		4 PCS
3	FLAT WASHER 5/16" * 19mm		8 PCS+1PC SPARE
4	LOCK WASHER 5/16" * 13mm		8PCS+1PC SPARE
5	ALLEN KEY M5		1PC

ITEM : 506252

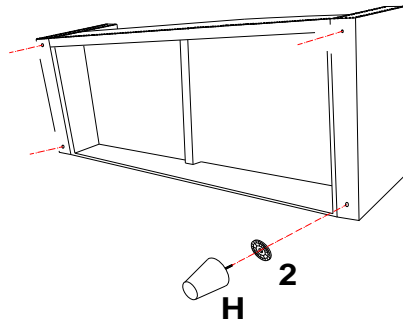
ASSEMBLY INSTRUCTIONS



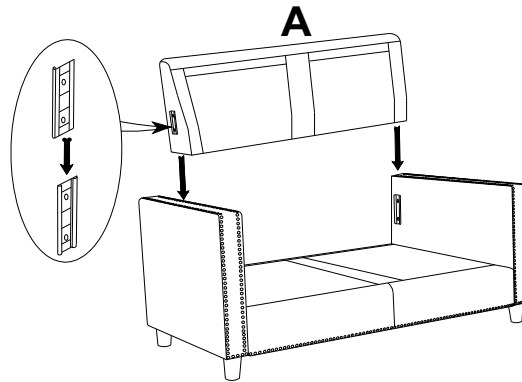
STEP 1



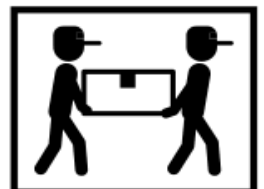
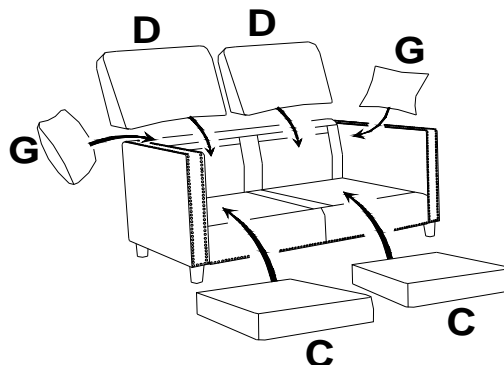
STEP 2



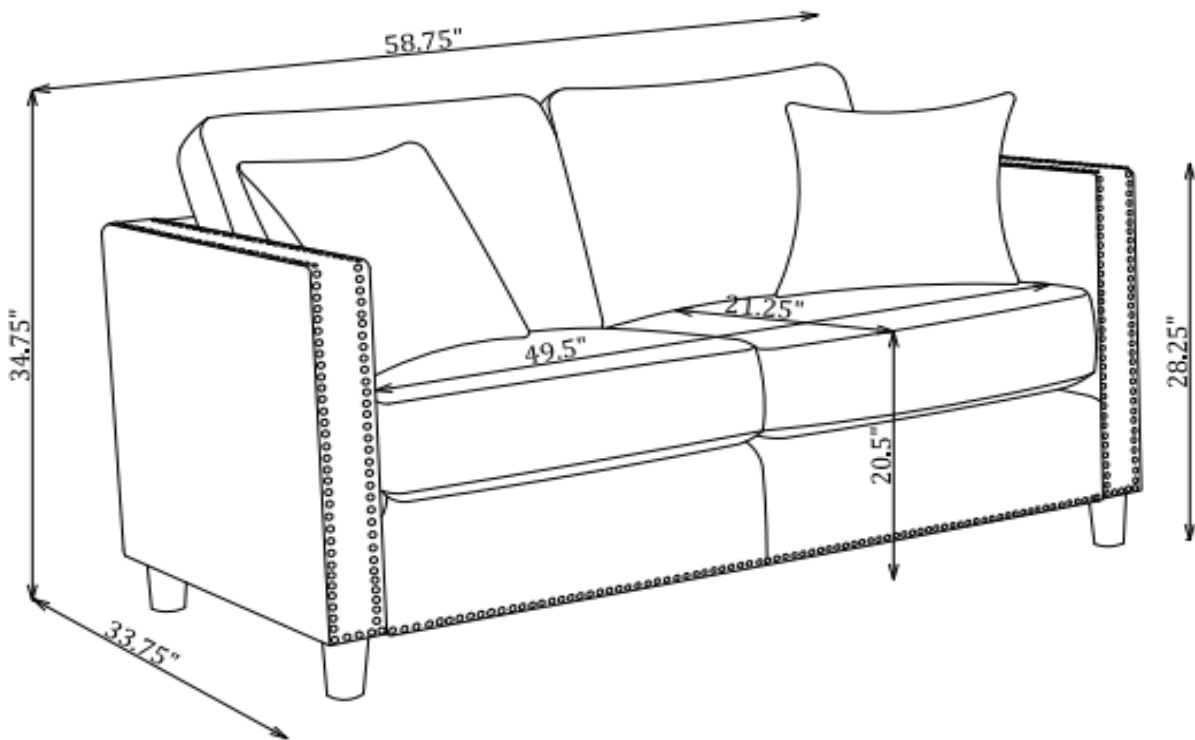
STEP 3



STEP 4



# 506252



Note: Dimension tolerance  $\pm 5\%$

