



ASSEMBLY INSTRUCTIONS
COASTER FINE FURNITURE



Fine Furniture for every stage of life

506253
ACCENT CHAIR

ITEM : 506253

ASSEMBLY INSTRUCTIONS



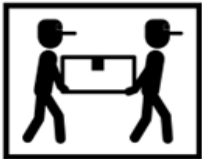
ASSEMBLY TIPS:

1. Remove hardware from box and sort by size.
2. Please check to see that all hardware and parts are present prior to start of assembly.
3. Please follow attached instruction in the same sequence as numbered to assure fast & easy assembly.



WARNING!

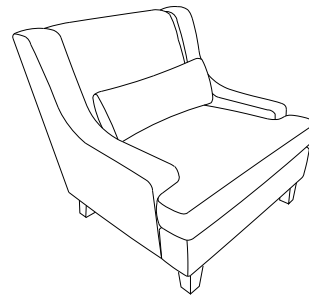
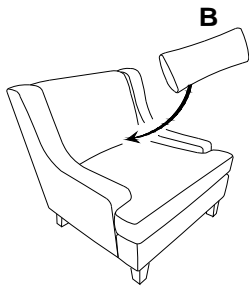
1. Don't attempt to repair or modify parts that are broken or defective. Please contact the store immediately.
2. This product is for home use only and not intended for commercial establishment.







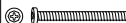
ASSEMBLY TIME

5 MINUTES

PARTS IDENTIFICATION




- A CHAIR  1PC
- B LUMBAR PILLOW  1PC
- C FRONT LEG  2PCS
- D REAR LEG  2PCS

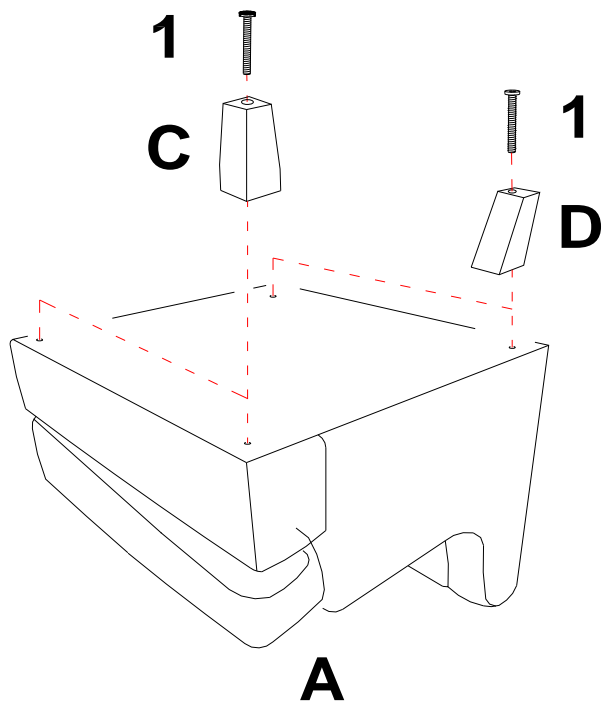
Z HARDWARE PACKAGE			
NO	DESCRIPTION	FIGURE	QTY
1	BOLT 5/16" * 3"		4PCS

ITEM : 506253
ASSEMBLY INSTRUCTIONS

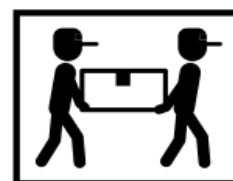
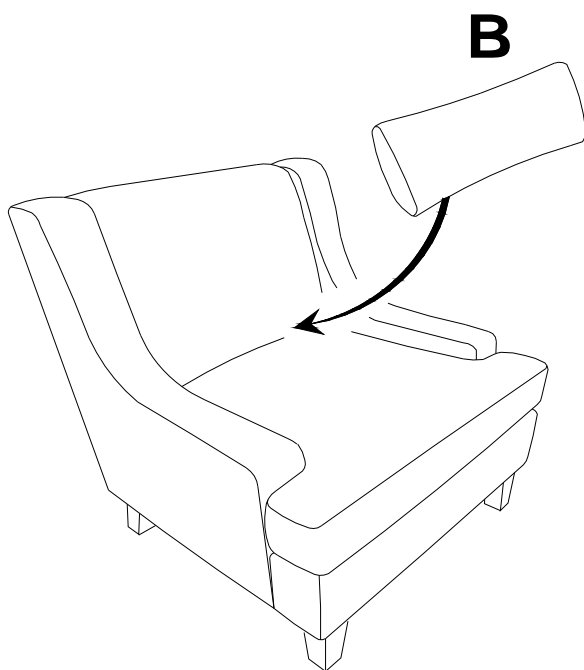


STEP 1

1  X 4

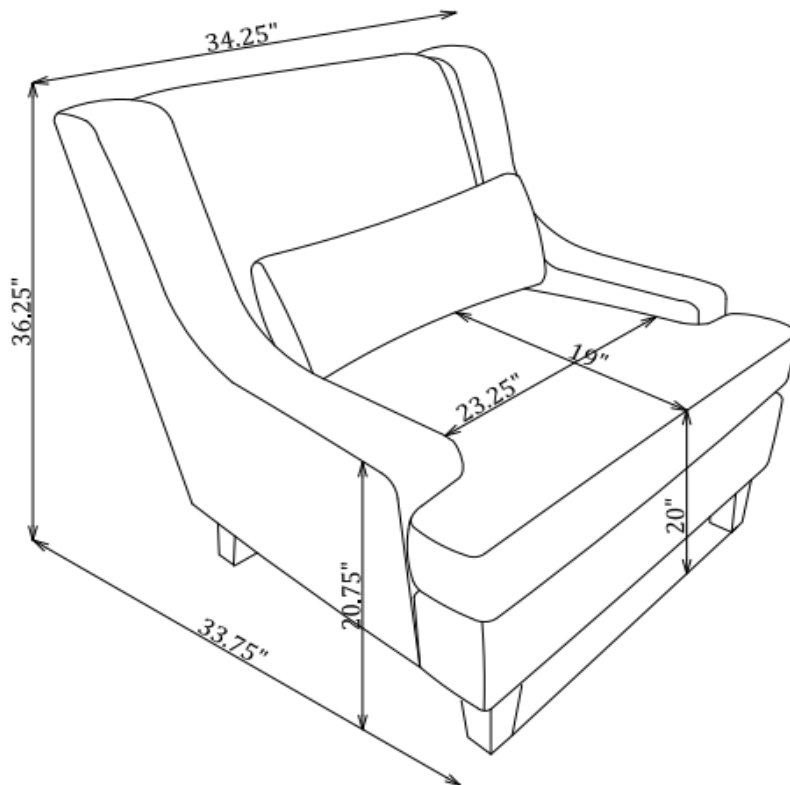


STEP 2



506253

COASTER
FINE FURNITURE



Note: Dimension tolerance $\pm 5\%$

