

*ASSEMBLY INSTRUCTIONS*  
*COASTER FINE FURNITURE*



*Fine Furniture for every stage of life*

**508322**  
**CHAIR**

**ITEM : 508322**

**ASSEMBLY INSTRUCTIONS**



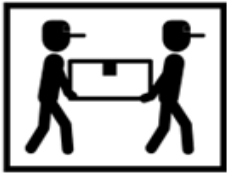
**ASSEMBLY TIPS:**

- 1.Remove hardware from box and sort by size.
- 2.Please check to see that all hardware and parts are present prior to start of assembly.
- 3.Please follow attached instruction in the same sequence as numbered to assure fast & easy assembly.



**WARNING!**

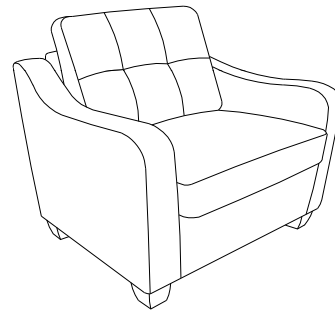
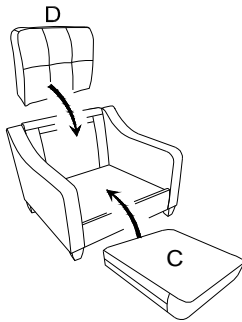
- 1.Don't attempt to repair or modify parts that are broken or defective. Please contact the store immediately.
- 2.This product is for home use only and not intended for commercial establishment.
















**ASSEMBLY TIME**

**10 MINUTES**

**PARTS IDENTIFICATION**



- A BACK FRAME  1PC
- B SEAT FRAME  1PC
- C SEAT CUSHION  1PC
- D BACK CUSHION  1PC
- E LEFT ARM FRAME  1PC
- F RIGHT ARM FRAME  1PC
- G LEG  4PCS

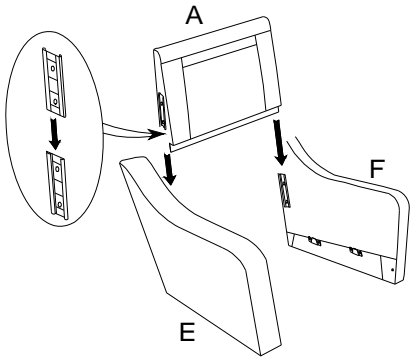
Z	HARDWARE PACKAGE		
NO	DESCRIPTION	FIGURE	QTY
1	BOLT 5/16" * 3 "		1PC
2	BOLT 5/16" * 1-3/8 "		2PCS
3	FLAT WASHER 5/16" * 19mm		3PCS
4	LOCK WASHER 5/16" * 13mm		3PCS
5	ALLEN KEY M5		1PC
6	PLASTIC GASKETS 5/16" * 49mm		4PCS

ITEM : 508322

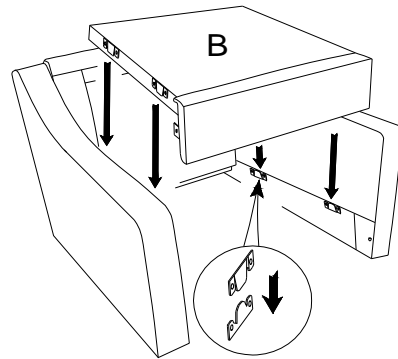


ASSEMBLY INSTRUCTIONS

STEP 1

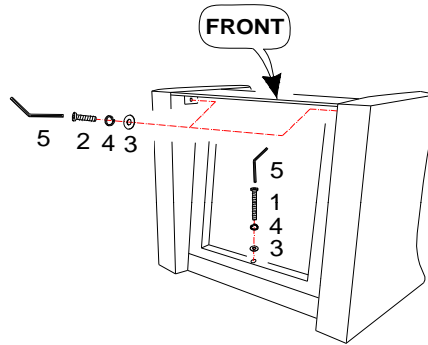


STEP 2



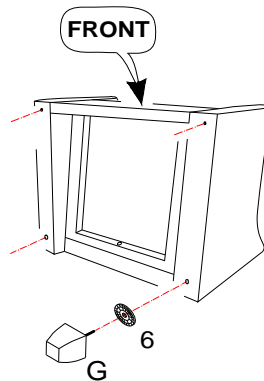
STEP 3

- 1  X 1
- 2  X 2
- 3  X 3
- 4  X 3
- 5  X 1

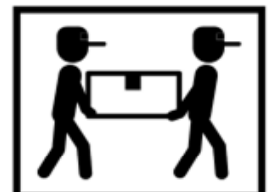
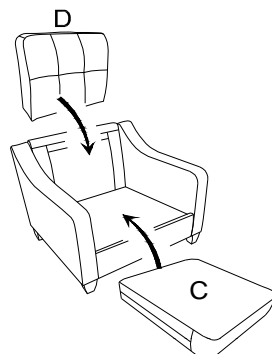


STEP 4

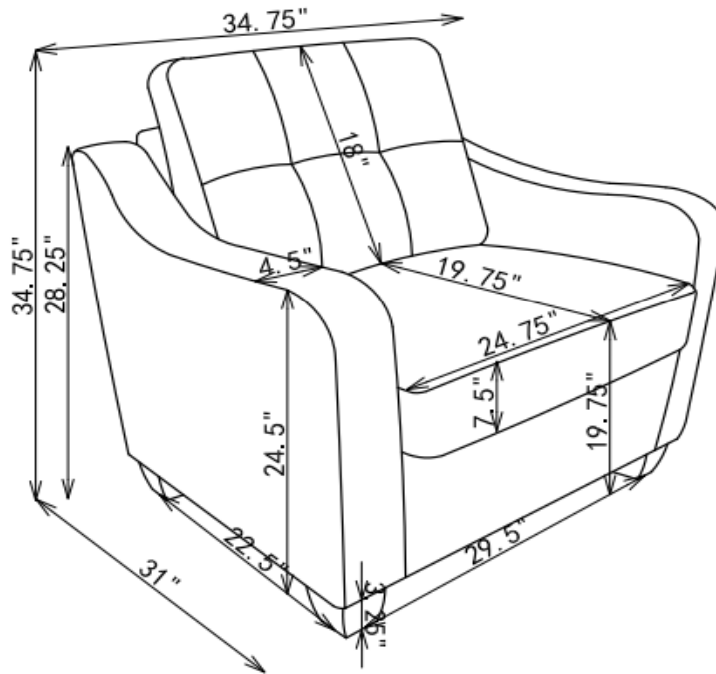
- 6  X 4



STEP 5



# 508322



Note: Dimension tolerance  $\pm 5\%$

