

ASSEMBLY INSTRUCTIONS
COASTER FINE FURNITURE



Fine Furniture for every stage of life

509327
SECTIONAL

This sectional has a reversible chaise, and it can be assembled on the left or right side as needed. The assembly instructions below refer to the chaise on the LEFT SIDE, as you are facing the sectional.

ITEM : 509327
ASSEMBLY INSTRUCTIONS



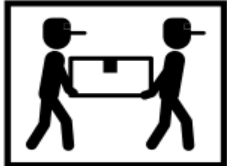
ASSEMBLY TIPS:

- 1.Remove hardware from box and sort by size.
- 2.Please check to see that all hardware and parts are present prior to start of assembly.
- 3.Please follow attached instruction in the same sequence as numbered to assure fast & easy assembly.



WARNING!

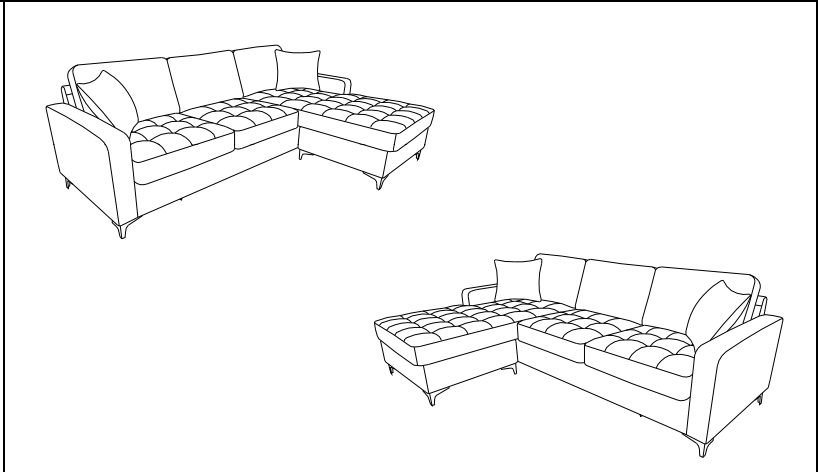
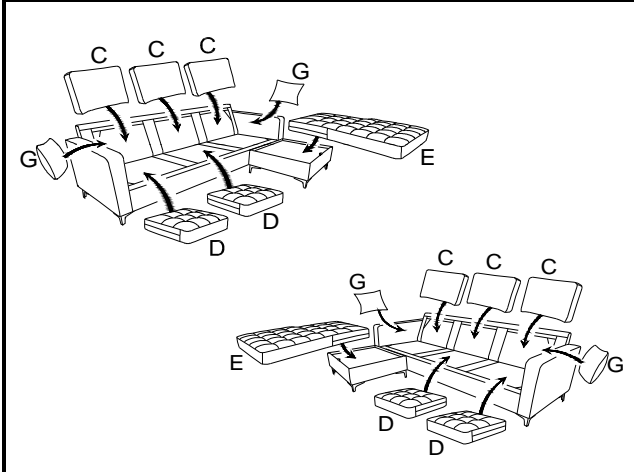
- 1.Don't attempt to repair or modify parts that are broken or defective. Please contact the store
- 2.This product is for home use only and not intended for commercial establishment.



ASSEMBLY TIME

10 MINUTES

PARTS IDENTIFICATION



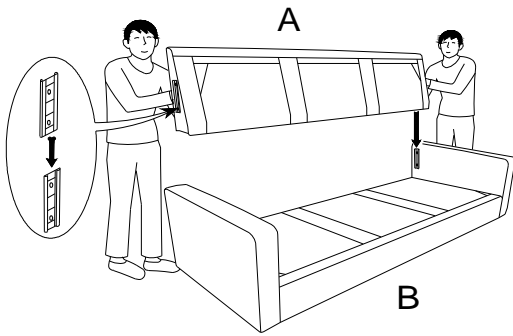
- | | | | |
|---|--------------------|--|------|
| A | BACK FRAME | | 1PC |
| B | SEAT FRAME | | 1PC |
| C | BACK CUSHION | | 3PCS |
| D | SMALL SEAT CUSHION | | 2PCS |
| E | LARGE SEAT CUSHION | | 1PC |
| F | OTTOMAN | | 1PC |
| G | PILLOW | | 2PCS |
| H | LEG | | 8PCS |

Z HARDWARE PACKAGE			
NO	DESCRIPTION	FIGURE	QTY
1	SHORT BOLT 5/16" * 1"		16PCS


ITEM : 509327

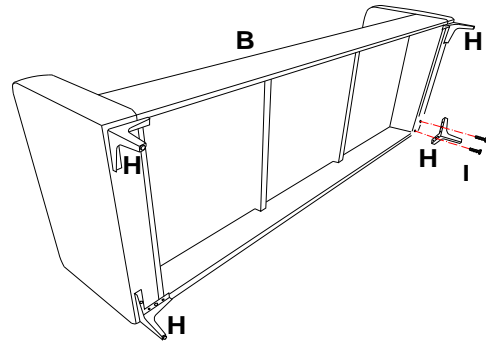
ASSEMBLY INSTRUCTIONS

STEP 1

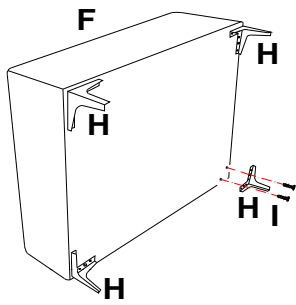


STEP 2

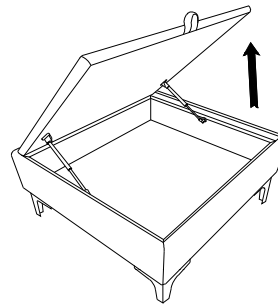
1  X 8



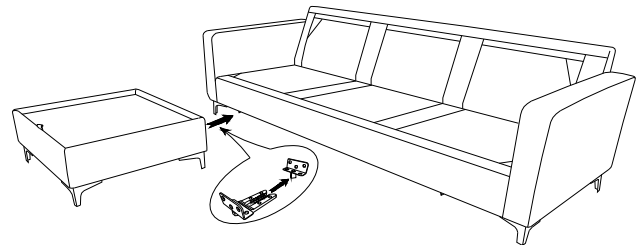
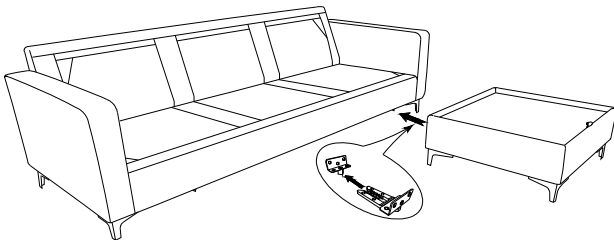
STEP 3



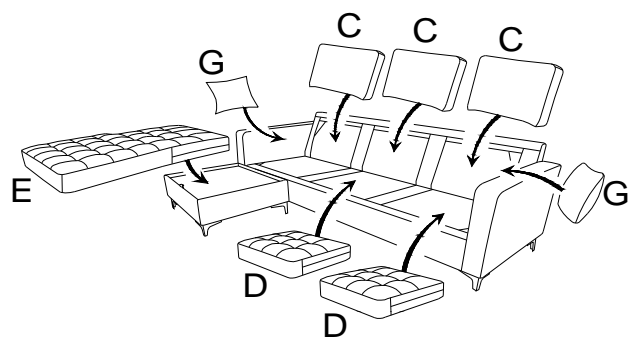
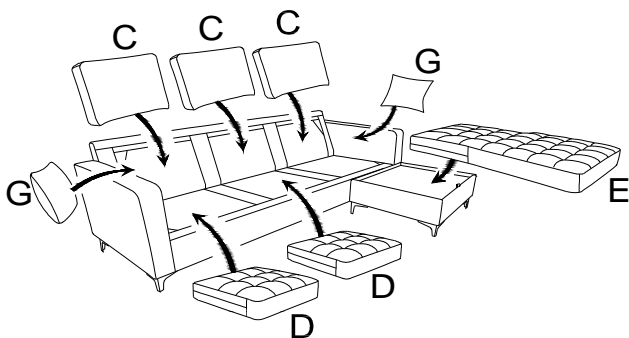
STEP 4



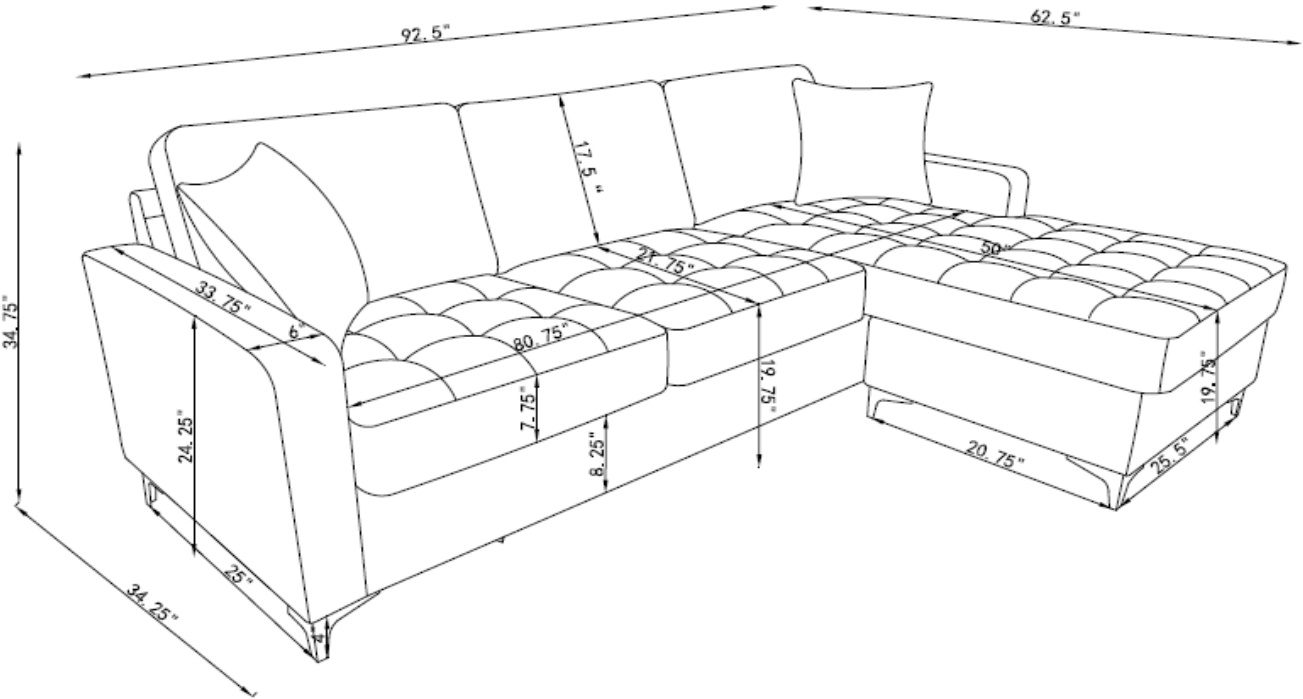
STEP 5



STEP 6



509327



Note: Dimension tolerance ±5%

