

ASSEMBLY INSTRUCTIONS
COASTER FINE FURNITURE



Fine Furniture for every stage of life

505645(LAF Chaise)
SECTIONAL

This sectional has a reversible chaise, and it can be assembled on the left or right side as needed. The assembly instructions below refer to the chaise on the LEFT SIDE, as you are facing the sectional.

ITEM : 505645B1 CHAISE (LAF)



ASSEMBLY INSTRUCTIONS

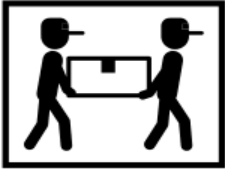
ASSEMBLY TIPS:

- 1.Remove hardware from box and sort by size.
- 2.Please check to see that all hardware and parts are present prior to start of assembly.
- 3.Please follow attached instruction in the same sequence as numbered to assure fast & easy assembly.



WARNING!

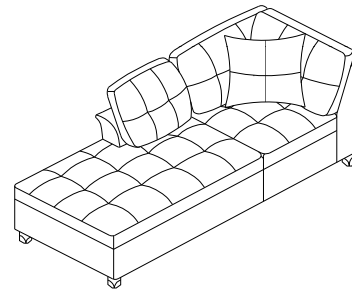
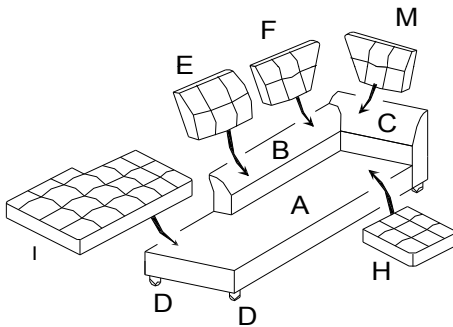
- 1.Don't attempt to repair or modify parts that are broken or defective. Please contact the store
- 2.This product is for home use only and not intended for commercial establishment.



ASSEMBLY TIME

10 MINUTES

PARTS IDENTIFICATION



A	CHAISE SEAT FRAME		1PC
B	CHAISE ARM FRAME		1PC
C	CHAISE BACK FRAME		1PC
D	FOOT		4PCS
E	BACK CUSHION		1PC
F	CHAISE LEFT BACK CUSHION		1PC
M	CHAISE RIGHT BACK CUSHION		1PC
G	PILLOW		1PC
H	CHAISE SMALL SEAT CUSHION		1PC
I	CHAISE LARGE SEAT CUSHION		1PC

Z	HARDWARE PACKAGE		
NO	DESCRIPTION	FIGURE	QTY
1	SMALL SCREW 5/16" * 1-3/8"		2PCS
2	LARGE SCREW 5/16" * 2-3/16"		4PCS
3	LOCK WASHER 5/16" * 13mm		6PCS+1PC SPARE
4	FLAT WASHER 5/16" * 19mm		6 PCS+1PC SPARE
5	ALLEN KEY M5		1PC

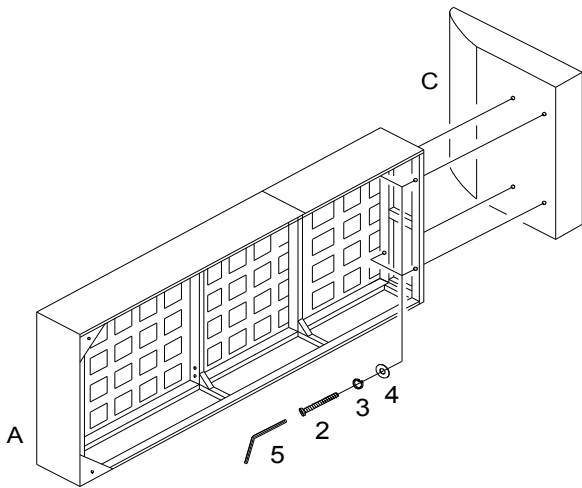
Z-B1(BOX1)-Hardware pack is located in 505645(B1)

ITEM : 505645B1 CHAISE (LAF)

ASSEMBLY INSTRUCTIONS

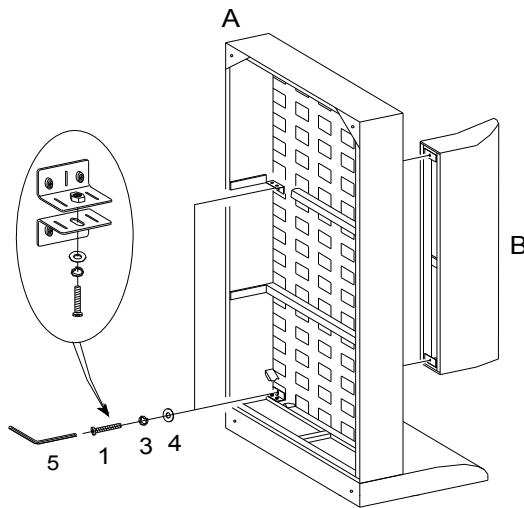
STEP 1

2		X 4	3		X 4
4		X 4	5		X 1

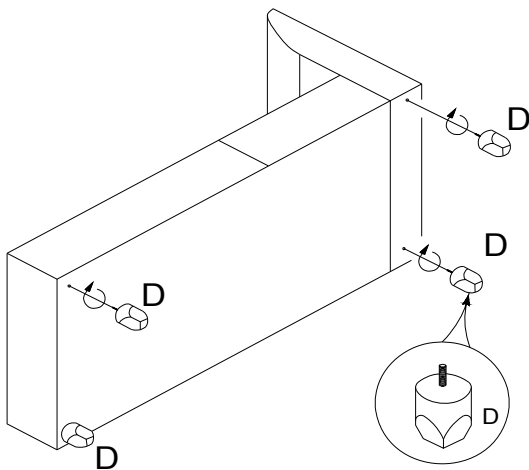


STEP 2

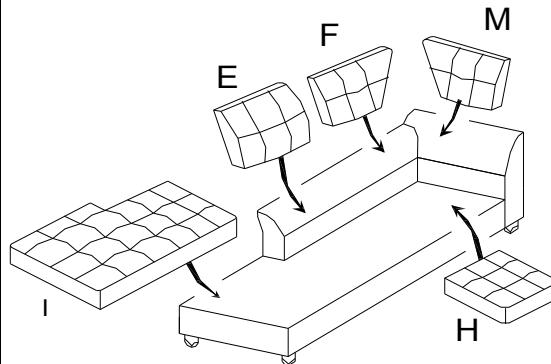
1		X 2	3		X 2
4		X 2	5		X 1



STEP 3



STEP 4



ITEM : 505645B2 SOFA (RAF)



ASSEMBLY INSTRUCTIONS

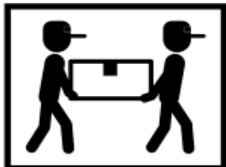
ASSEMBLY TIPS:

- 1.Remove hardware from box and sort by size.
- 2.Please check to see that all hardware and parts are present prior to start of assembly.
- 3.Please follow attached instruction in the same sequence as numbered to assure fast & easy assembly.



WARNING!

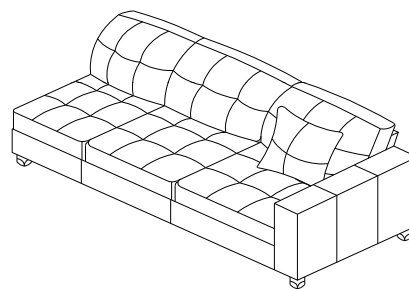
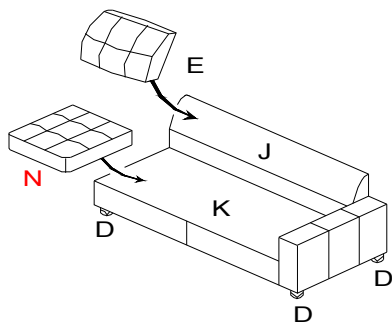
- 1.Don't attempt to repair or modify parts that are broken or defective. Please contact the store
- 2.This product is for home use only and not intended for commercial establishment.



ASSEMBLY TIME

10 MINUTES

PARTS IDENTIFICATION



J	SOFA BACK FRAME		1PC
K	SOFA SEAT FRAME		1PC
L	SOFA ARM FRAME		1PC
D	FOOT		4PCS
E	BACK CUSHION		3PCS
G	PILLOW		1PC
N	SEAT CUSHION		3PCS

Z	HARDWARE PACKAGE		
NO	DESCRIPTION	FIGURE	QTY
1	SMALL SCREW 5/16" * 1-3/8"		2PCS
2	LARGE SCREW 5/16" * 2-3/16"		4PCS
3	LOCK WASHER 5/16" * 13mm		6PCS+1PC SPARE
4	FLAT WASHER 5/16" * 19mm		6 PCS+1PC SPARE
5	ALLEN KEY M5		1PC

Z-B2(BOX2)-Hardware pack is located in 505645(B2)

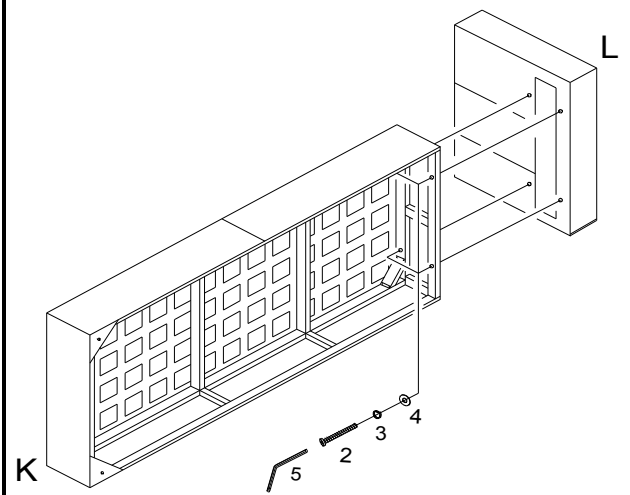
ITEM : 505645B2 SOFA (RAF)



ASSEMBLY INSTRUCTIONS

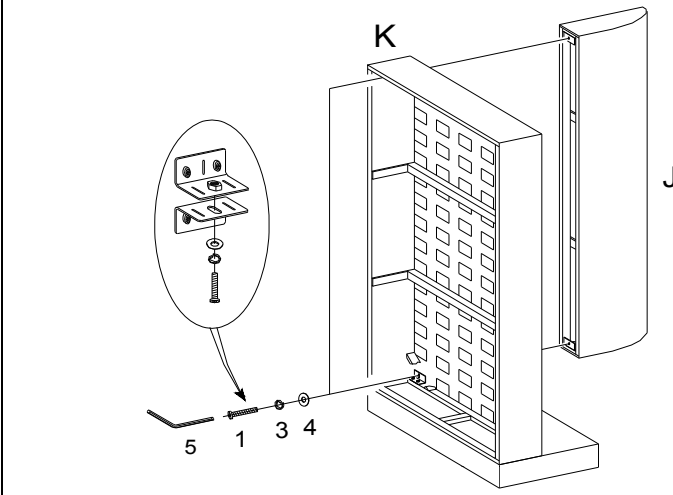
STEP 1

2		x 4	3		x 4
4		x 4	5		x 1

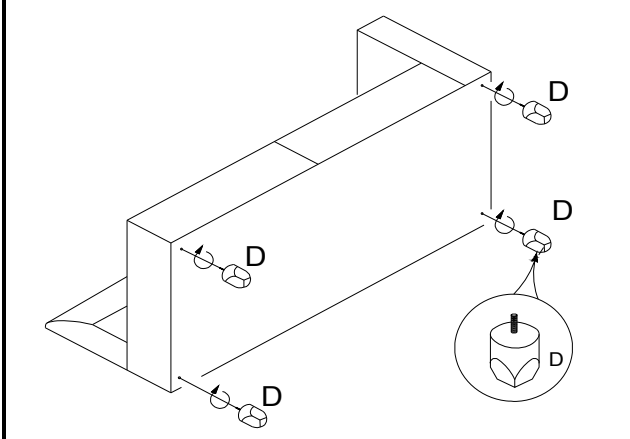


STEP 2

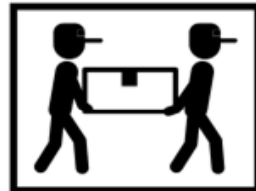
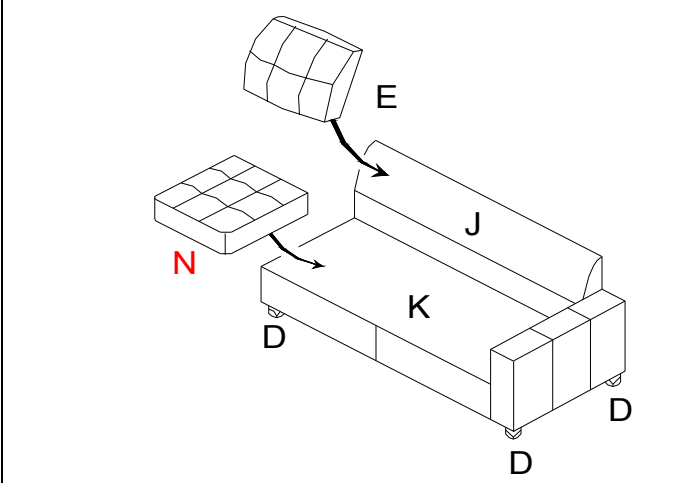
1		x 2	3		x 2
4		x 2	5		x 1



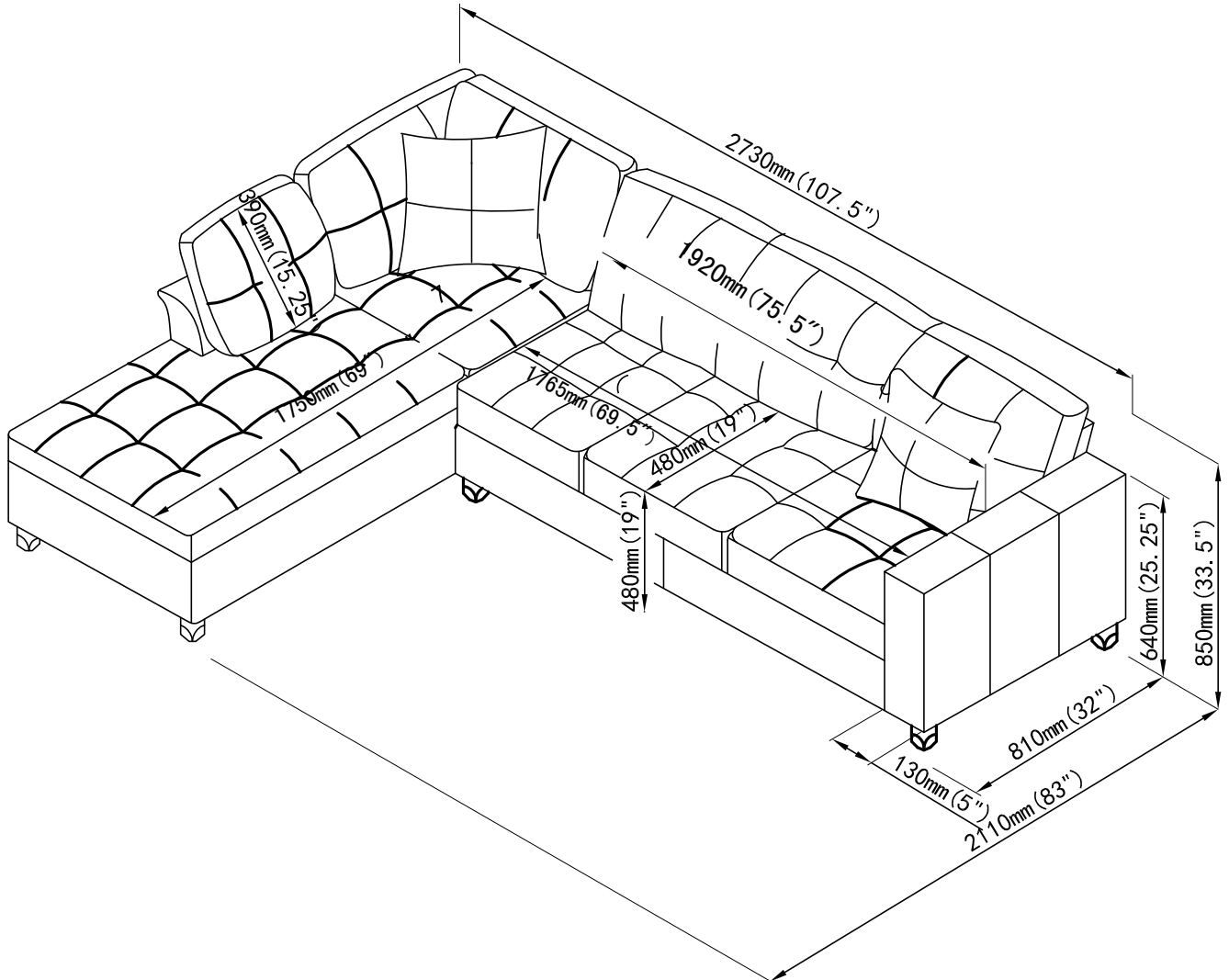
STEP 3



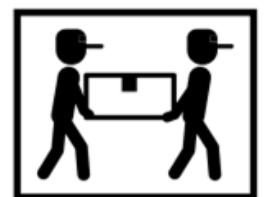
STEP 4



505645



Note: Dimension tolerance $\pm 5\%$





ASSEMBLY INSTRUCTIONS
COASTER FINE FURNITURE



Fine Furniture for every stage of life

505645(RAF Chaise)
SECTIONAL

This sectional has a reversible chaise, and it can be assembled on the left or right side as needed. The assembly instructions below refer on the chaise on the RIGHT SIDE, as you are facing the sectional.

ITEM : 505645B1 CHAISE (RAF)

ASSEMBLY INSTRUCTIONS

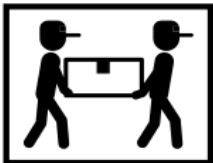


ASSEMBLY TIPS:

- 1.Remove hardware from box and sort by size.
- 2.Please check to see that all hardware and parts are present prior to start of assembly.
- 3.Please follow attached instruction in the same sequence as numbered to assure fast & easy assembly.

WARNING!

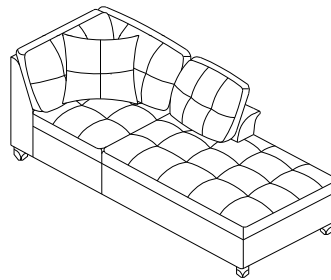
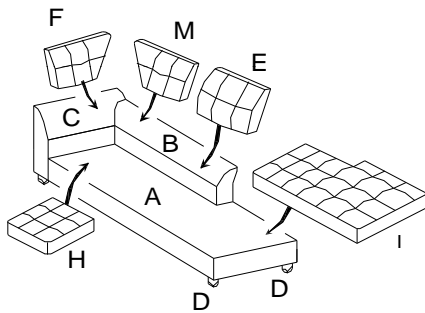
- 1.Don't attempt to repair or modify parts that are broken or defective. Please contact the store
- 2.This product is for home use only and not intended for commercial establishment.













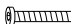




ASSEMBLY TIME

10 MINUTES

PARTS IDENTIFICATION



- A CHAISE SEAT FRAME  1PC
- B CHAISE ARM FRAME  1PC
- C CHAISE BACK FRAME  1PC
- D FOOT  4PCS
- E BACK CUSHION  1PC
- F CHAISE LEFT BACK CUSHION  1PC
- M CHAISE RIGHT BACK CUSHION  1PC
- G PILLOW  1PC
- H CHAISE SMALL SEAT CUSHION  1PC
- I CHAISE LARGE SEAT CUSHION  1PC

Z	HARDWARE PACKAGE		
NO	DESCRIPTION	FIGURE	QTY
1	SMALL SCREW 5/16" * 1-3/8"		2PCS
2	LARGE SCREW 5/16" * 2-3/16"		4PCS
3	LOCK WASHER 5/16" * 13mm		6PCS+1PC SPARE
4	FLAT WASHER 5/16" * 19mm		6 PCS+1PC SPARE
5	ALLEN KEY M5		1PC

Z-B1(BOX1)-Hardware pack is located in 505645(B1)

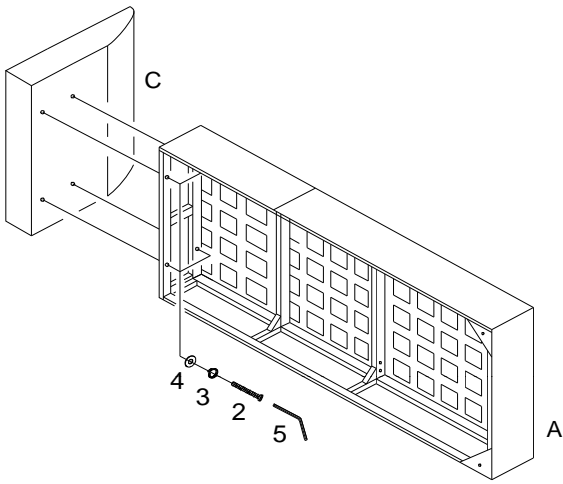
ITEM : 505645B1 CHAISE (RAF)



ASSEMBLY INSTRUCTIONS

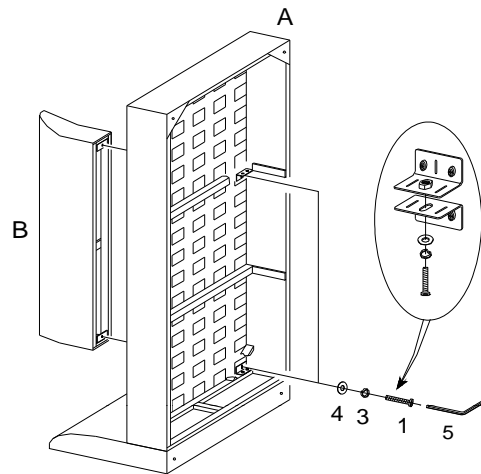
STEP 1

2		X 4	3		X 4
4		X 4	5		X 1

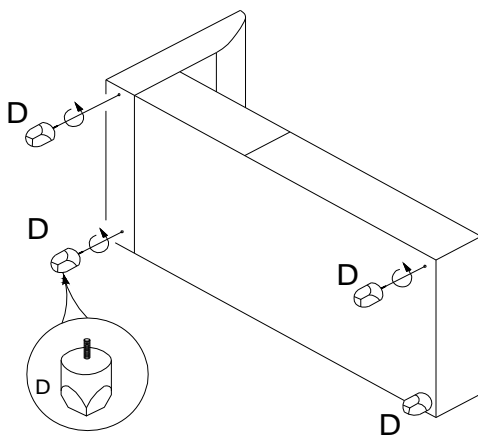


STEP 2

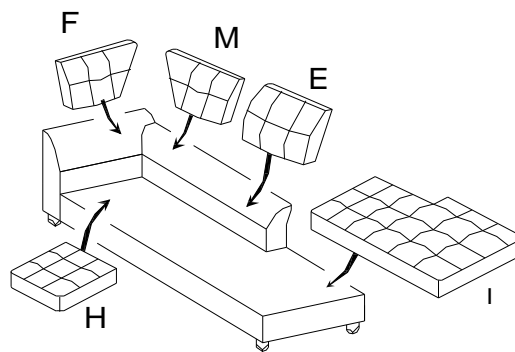
1		X 2	3		X 2
4		X 2	5		X 1



STEP 3



STEP 4



ITEM : 505645B2 SOFA (LAF)

ASSEMBLY INSTRUCTIONS

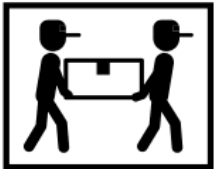
ASSEMBLY TIPS:

- 1.Remove hardware from box and sort by size.
- 2.Please check to see that all hardware and parts are present prior to start of assembly.
- 3.Please follow attached instruction in the same sequence as numbered to assure fast & easy assembly.



WARNING!

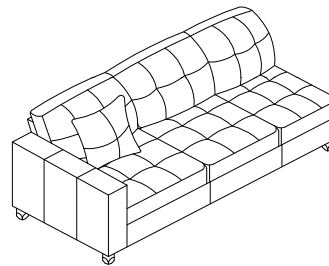
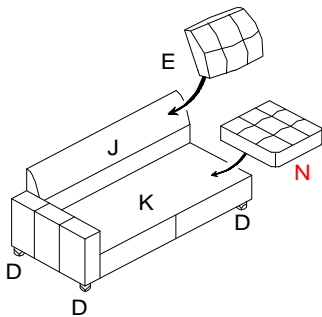
- 1.Don't attempt to repair or modify parts that are broken or defective. Please contact the store
- 2.This product is for home use only and not intended for commercial establishment.



ASSEMBLY TIME

10 MINUTES

PARTS IDENTIFICATION



J	SOFA BACK FRAME		1PC
K	SOFA SEAT FRAME		1PC
L	SOFA ARM FRAME		1PC
D	FOOT		4PCS
E	BACK CUSHION		3PCS
G	PILLOW		1PC
N	SEAT CUSHION		3PCS

Z	HARDWARE PACKAGE		
NO	DESCRIPTION	FIGURE	QTY
1	SMALL SCREW 5/16" * 1-3/8"		2PCS
2	LARGE SCREW 5/16" * 2-3/16"		4PCS
3	LOCK WASHER 5/16" * 13mm		6PCS+1PC SPARE
4	FLAT WASHER 5/16" * 19mm		6 PCS+1PC SPARE
5	ALLEN KEY M5		1PC

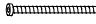



Z-B2(BOX2)-Hardware pack is located in 505645(B2)

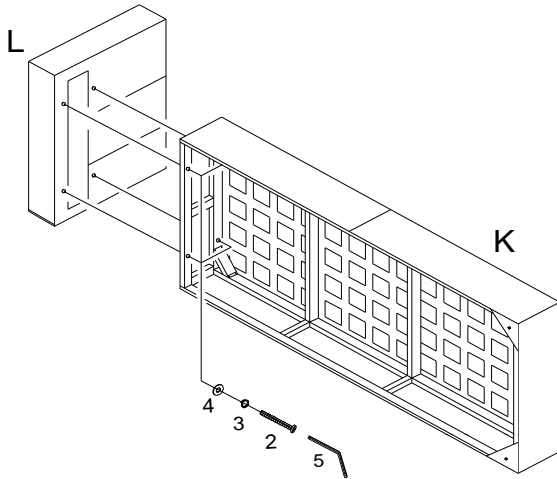
ITEM : 505645B2 SOFA (LAF)

ASSEMBLY INSTRUCTIONS

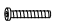





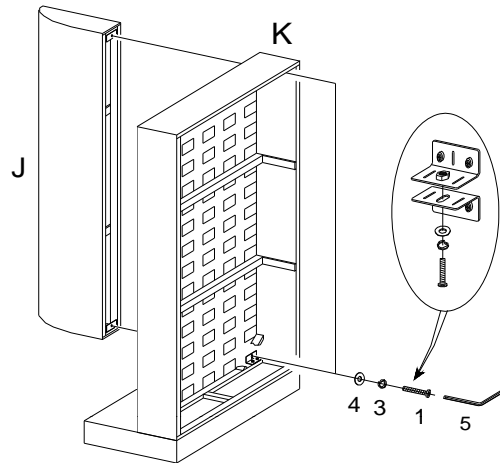
STEP 1

2		X 4	3		X 4
4		X 4	5		X 1

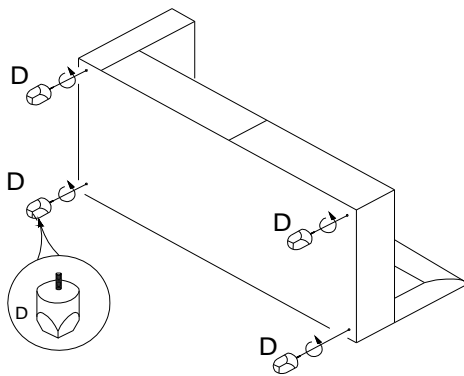


STEP 2

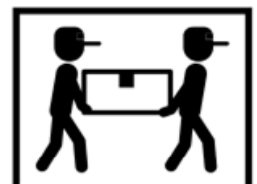
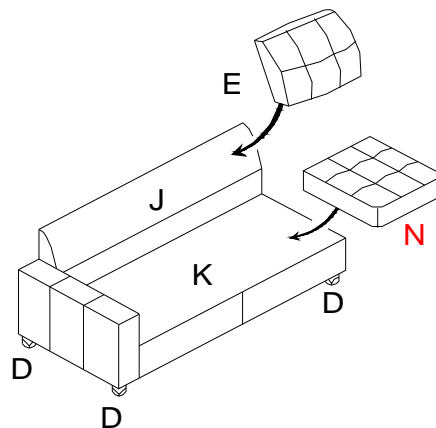
1		X 2	3		X 2
4		X 2	5		X 1



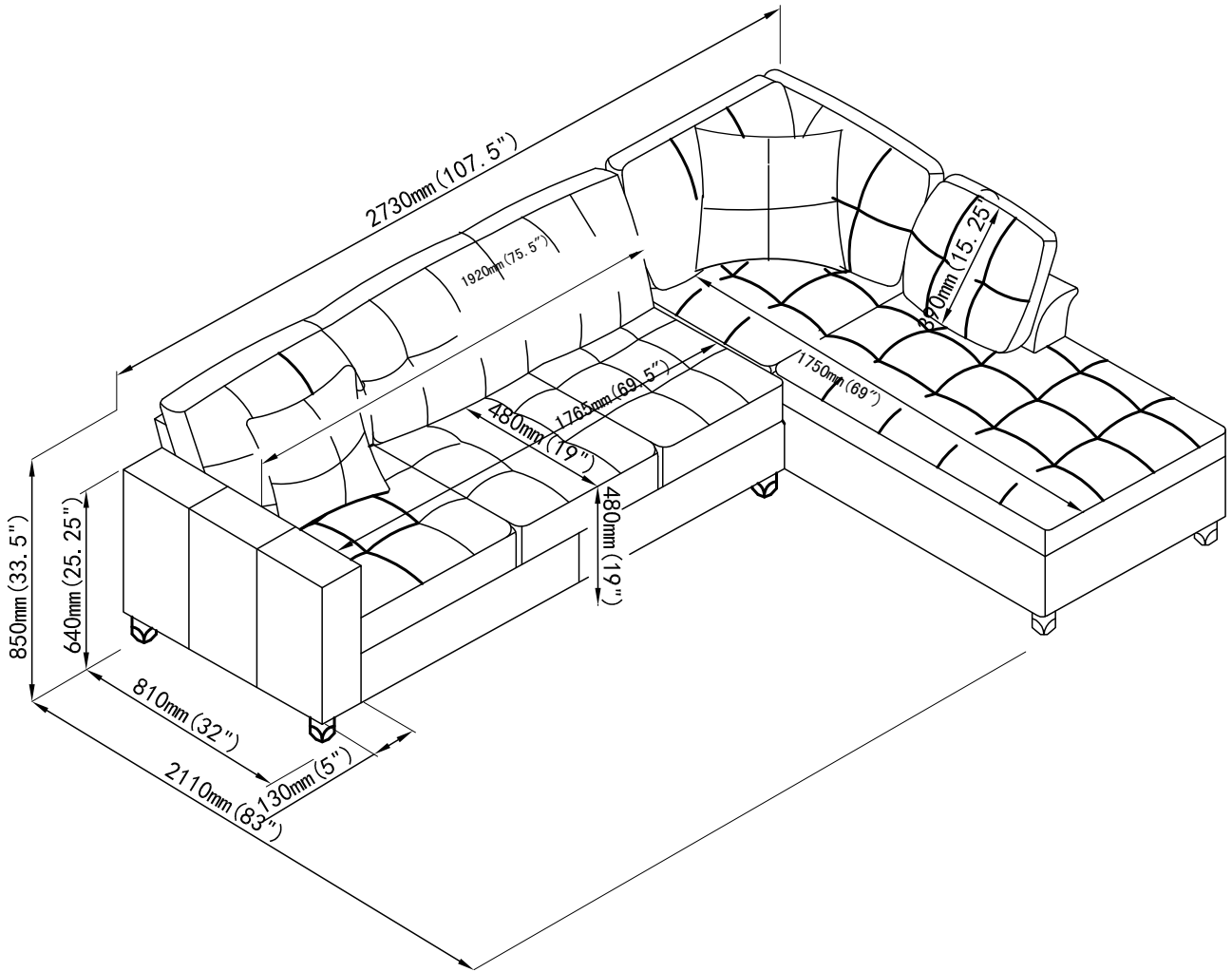
STEP 3



STEP 4



505645



Note: Dimension tolerance $\pm 5\%$

