

ASSEMBLY INSTRUCTIONS
COASTER FINE FURNITURE



Fine Furniture for every stage of life

505675(LAF Chaise)
SECTIONAL

This sectional has a reversible chaise, and it can be assembled on the left or right side as needed. The assembly instructions below refer to the chaise on the LEFT SIDE, as you are facing the sectional.

ITEM : 505675B1 CHAISE (LAF)

ASSEMBLY INSTRUCTIONS



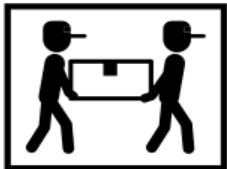
ASSEMBLY TIPS:

- 1.Remove hardware from box and sort by size.
- 2.Please check to see that all hardware and parts are present prior to start of assembly.
- 3.Please follow attached instruction in the same sequence as numbered to assure fast & easy assembly.



WARNING!

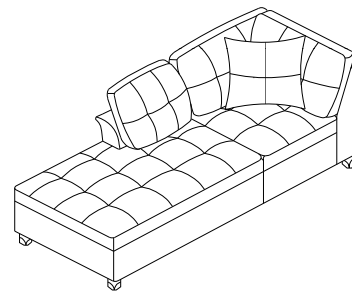
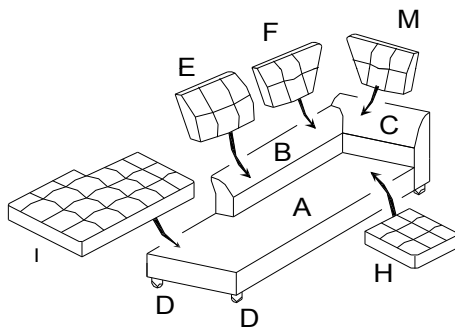
- 1.Don't attempt to repair or modify parts that are broken or defective. Please contact the store immediately.
- 2.This product is for home use only and not intended for commercial establishment.



ASSEMBLY TIME

10 MINUTES

PARTS IDENTIFICATION



| | | | |
|---|---------------------------|--|------|
| A | CHAISE SEAT FRAME | | 1PC |
| B | CHAISE ARM FRAME | | 1PC |
| C | CHAISE BACK FRAME | | 1PC |
| D | FOOT | | 4PCS |
| E | BACK CUSHION | | 1PC |
| F | CHAISE LEFT BACK CUSHION | | 1PC |
| M | CHAISE RIGHT BACK CUSHION | | 1PC |
| G | PILLOW | | 1PC |
| H | CHAISE SMALL SEAT CUSHION | | 1PC |
| I | CHAISE LARGE SEAT CUSHION | | 1PC |

| Z | HARDWARE PACKAGE | | |
|----|--------------------------------|--------|-----------------|
| NO | DESCRIPTION | FIGURE | QTY |
| 1 | SMALL SCREW 5/16" * 1-3/8" | | 2PCS |
| 2 | LARGE SCREW 5/16" * 2-3/16" | | 4PCS |
| 3 | LOCK WASHER 5/16" * 13mm | | 6PCS+1PC SPARE |
| 4 | FLAT WASHER 5/16" * 19mm | | 6 PCS+1PC SPARE |
| 5 | ALLEN KEY M5 | | 1PC |

Z-B1(BOX1)-Hardware pack is located in 505675(B1)

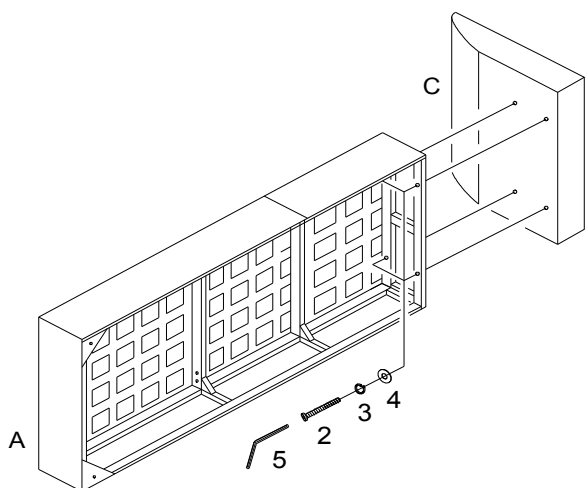
ITEM : 505675B1 CHAISE (LAF)



ASSEMBLY INSTRUCTIONS

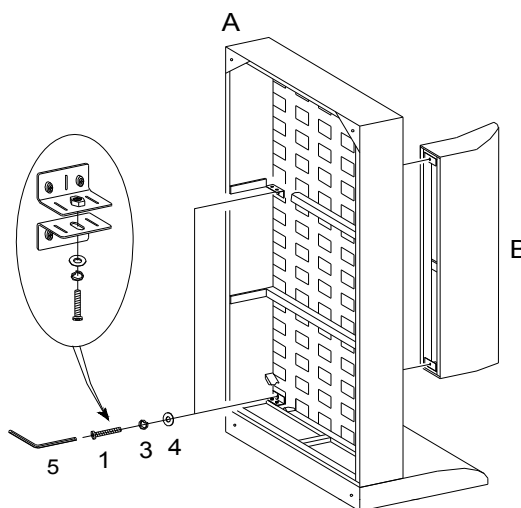
STEP 1

| | | | | | |
|---|--|-----|---|--|-----|
| 2 | | X 4 | 3 | | X 4 |
| 4 | | X 4 | 5 | | X 1 |

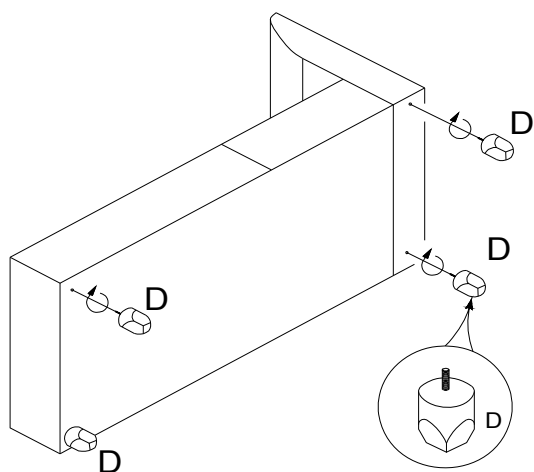


STEP 2

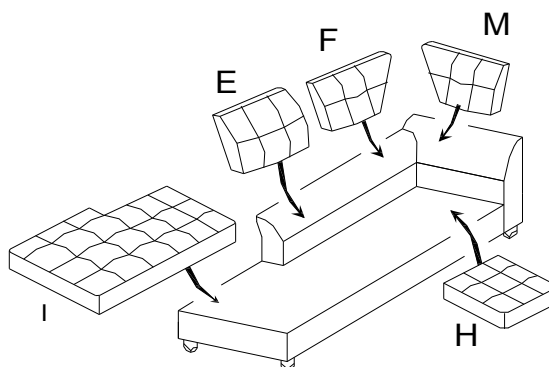
| | | | | | |
|---|--|-----|---|--|-----|
| 1 | | X 2 | 3 | | X 2 |
| 4 | | X 2 | 5 | | X 1 |



STEP 3



STEP 4



ITEM : 505675B2 SOFA (RAF)

ASSEMBLY INSTRUCTIONS



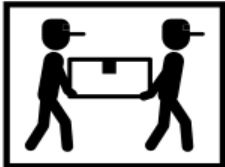
ASSEMBLY TIPS:

- 1.Remove hardware from box and sort by size.
- 2.Please check to see that all hardware and parts are present prior to start of assembly.
- 3.Please follow attached instruction in the same sequence as numbered to assure fast & easy assembly.



WARNING!

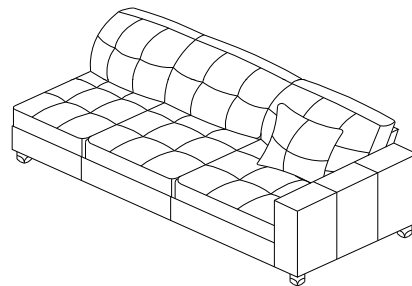
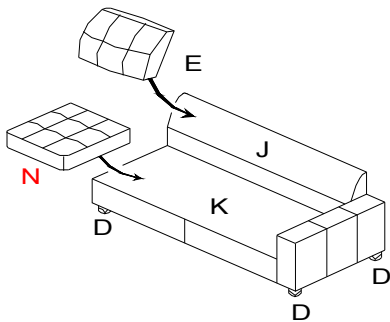
- 1.Don't attempt to repair or modify parts that are broken or defective. Please contact the store immediately.
- 2.This product is for home use only and not intended for commercial establishment.



ASSEMBLY TIME

10 MINUTES

PARTS IDENTIFICATION



| | | | |
|---|-----------------|--|------|
| J | SOFA BACK FRAME | | 1PC |
| K | SOFA SEAT FRAME | | 1PC |
| L | SOFA ARM FRAME | | 1PC |
| D | FOOT | | 4PCS |
| E | BACK CUSHION | | 3PCS |
| G | PILLOW | | 1PC |
| N | SEAT CUSHION | | 3PCS |

| Z | HARDWARE PACKAGE | | |
|----|--------------------------------|--------|-----------------|
| NO | DESCRIPTION | FIGURE | QTY |
| 1 | SMALL SCREW 5/16" * 1-3/8" | | 2PCS |
| 2 | LARGE SCREW 5/16" * 2-3/16" | | 4PCS |
| 3 | LOCK WASHER 5/16" * 13mm | | 6PCS+1PC SPARE |
| 4 | FLAT WASHER 5/16" * 19mm | | 6 PCS+1PC SPARE |
| 5 | ALLEN KEY M5 | | 1PC |

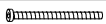



Z-B2(BOX2)-Hardware pack is located in 505675(B2)

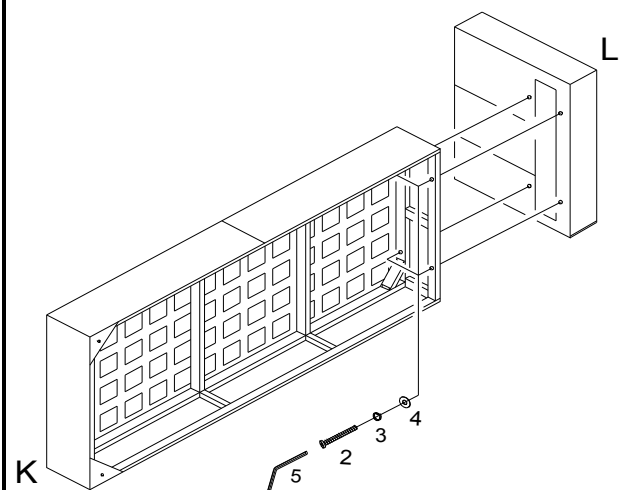
ITEM : 505675B2 SOFA (RAF)



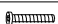

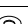

ASSEMBLY INSTRUCTIONS

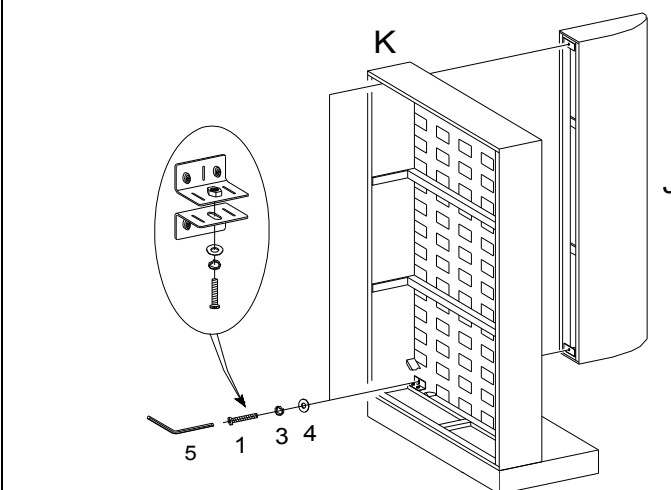
STEP 1

| | | | | | |
|---|---|-----|---|---|-----|
| 2 |  | x 4 | 3 |  | x 4 |
| 4 |  | x 4 | 5 |  | x 1 |

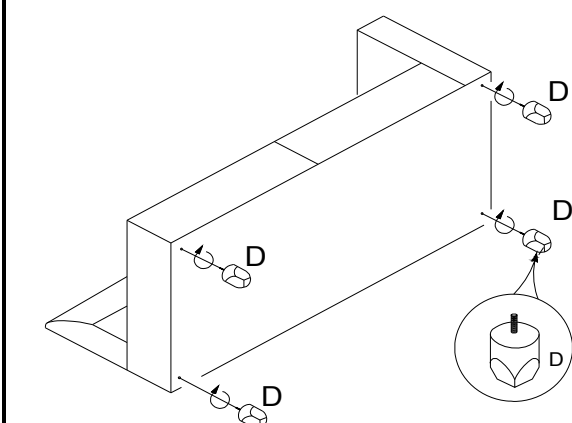


STEP 2

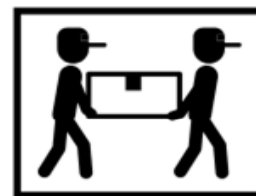
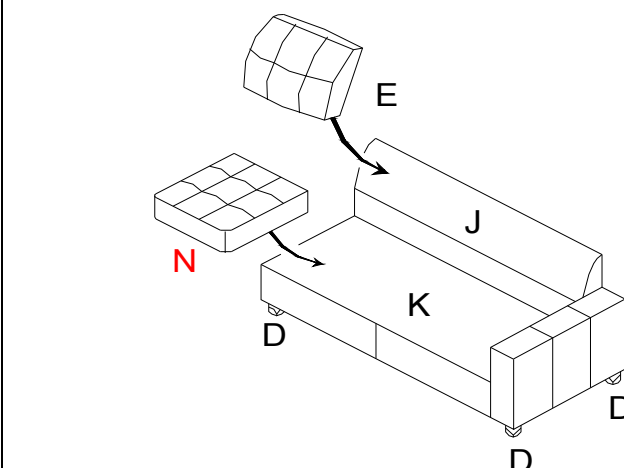
| | | | | | |
|---|---|-----|---|---|-----|
| 1 |  | x 2 | 3 |  | x 2 |
| 4 |  | x 2 | 5 |  | x 1 |



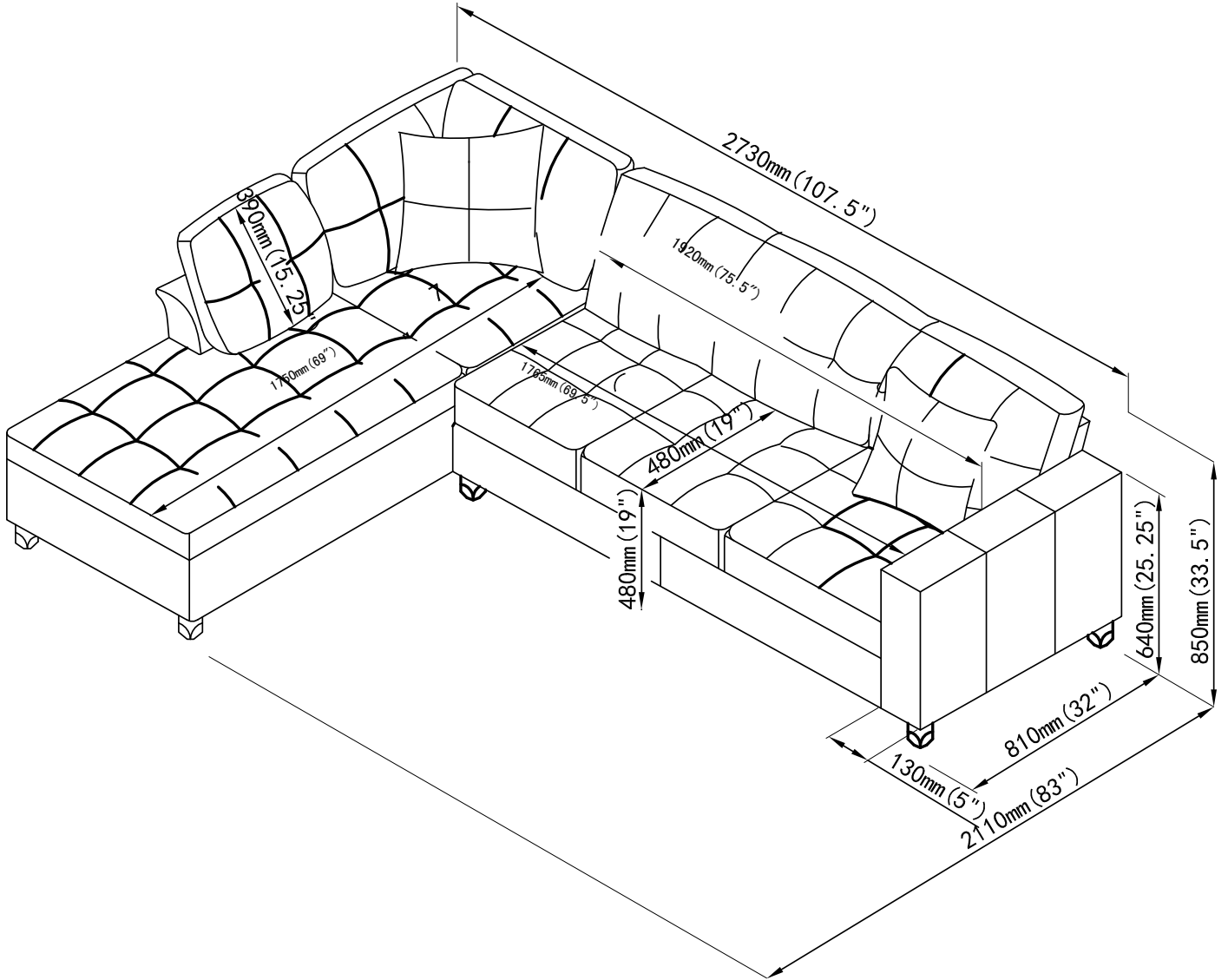
STEP 3



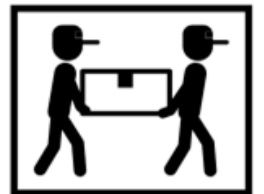
STEP 4



505675



Note: Dimension tolerance $\pm 5\%$





ASSEMBLY INSTRUCTIONS
COASTER FINE FURNITURE



Fine Furniture for every stage of life

505675(RAF Chaise) SECTIONAL

This sectional has a reversible chaise, and it can be assembled on the left or right side as needed. The assembly instructions below refer on the chaise on the RIGHT SIDE, as you are facing the sectional.

ITEM : 505675B1 CHAISE (RAF)



ASSEMBLY INSTRUCTIONS

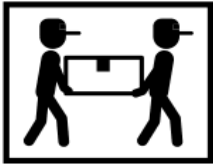
ASSEMBLY TIPS:

- 1.Remove hardware from box and sort by size.
- 2.Please check to see that all hardware and parts are present prior to start of assembly.
- 3.Please follow attached instruction in the same sequence as numbered to assure fast & easy assembly.



WARNING!

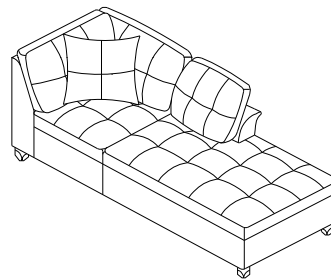
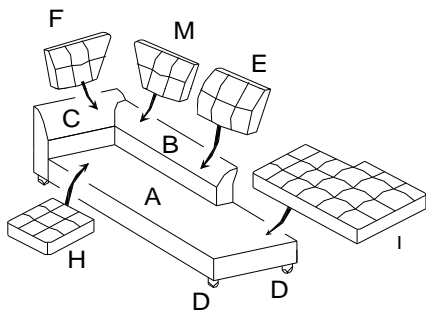
- 1.Don't attempt to repair or modify parts that are broken or defective. Please contact the store immediately.
- 2.This product is for home use only and not intended for commercial establishment.

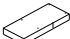
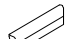















ASSEMBLY TIME

10 MINUTES

PARTS IDENTIFICATION



- A CHAISE SEAT FRAME  1PC
- B CHAISE ARM FRAME  1PC
- C CHAISE BACK FRAME  1PC
- D FOOT  4PCS
- E BACK CUSHION  1PC
- F CHAISE LEFT BACK CUSHION  1PC
- M CHAISE RIGHT BACK CUSHION  1PC
- G PILLOW  1PC
- H CHAISE SMALL SEAT CUSHION  1PC
- I CHAISE LARGE SEAT CUSHION  1PC

| Z HARDWARE PACKAGE | | | |
|--------------------|--------------------------------|---|-----------------|
| NO | DESCRIPTION | FIGURE | QTY |
| 1 | SMALL SCREW 5/16" * 1-3/8" |  | 2PCS |
| 2 | LARGE SCREW 5/16" * 2-3/16" |  | 4PCS |
| 3 | LOCK WASHER 5/16" * 13mm |  | 6PCS+1PC SPARE |
| 4 | FLAT WASHER 5/16" * 19mm |  | 6 PCS+1PC SPARE |
| 5 | ALLEN KEY M5 |  | 1PC |

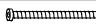



Z-B1(BOX1)-Hardware pack is located in 505675(B1)

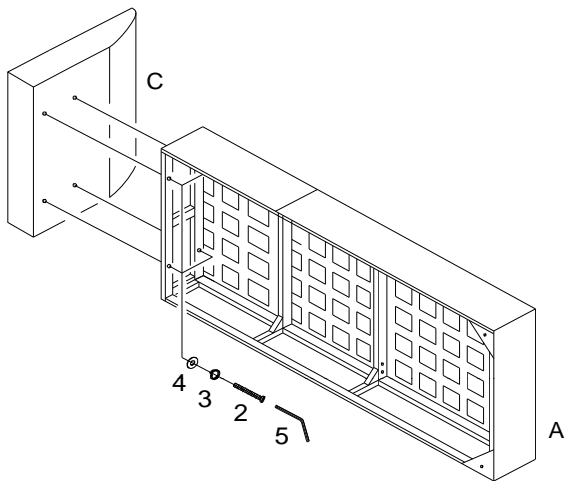
ITEM : 505675B1 CHAISE (RAF)



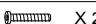



ASSEMBLY INSTRUCTIONS

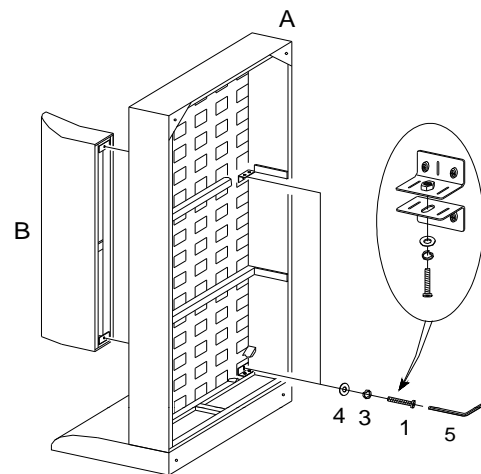
STEP 1

| | | | | | |
|---|---|-----|---|---|-----|
| 2 |  | X 4 | 3 |  | X 4 |
| 4 |  | X 4 | 5 |  | X 1 |

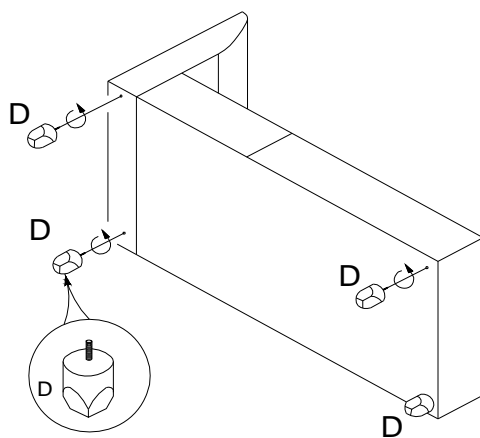


STEP 2

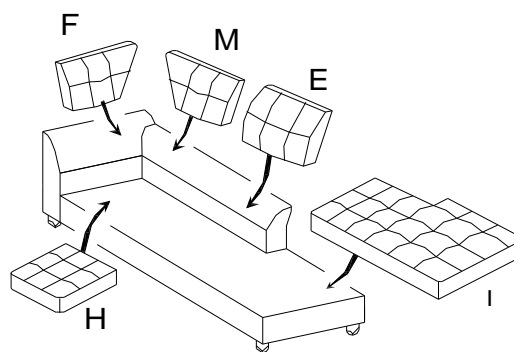
| | | | | | |
|---|---|-----|---|---|-----|
| 1 |  | X 2 | 3 |  | X 2 |
| 4 |  | X 2 | 5 |  | X 1 |



STEP 3



STEP 4



ITEM : 505675B2 SOFA (LAF)

ASSEMBLY INSTRUCTIONS

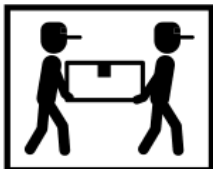
ASSEMBLY TIPS:

- 1.Remove hardware from box and sort by size.
- 2.Please check to see that all hardware and parts are present prior to start of assembly.
- 3.Please follow attached instruction in the same sequence as numbered to assure fast & easy assembly.



WARNING!

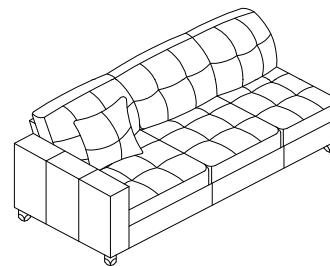
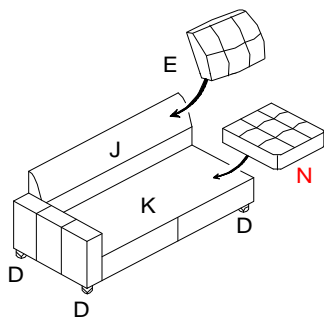
- 1.Don't attempt to repair or modify parts that are broken or defective. Please contact the store immediately.
- 2.This product is for home use only and not intended for commercial establishment.



ASSEMBLY TIME

10 MINUTES

PARTS IDENTIFICATION



| | | | |
|---|-----------------|--|------|
| J | SOFA BACK FRAME | | 1PC |
| K | SOFA SEAT FRAME | | 1PC |
| L | SOFA ARM FRAME | | 1PC |
| D | FOOT | | 4PCS |
| E | BACK CUSHION | | 3PCS |
| G | PILLOW | | 1PC |
| N | SEAT CUSHION | | 3PCS |

| Z | HARDWARE PACKAGE | | |
|----|--------------------------------|--------|-----------------|
| NO | DESCRIPTION | FIGURE | QTY |
| 1 | SMALL SCREW 5/16" * 1-3/8" | | 2PCS |
| 2 | LARGE SCREW 5/16" * 2-3/16" | | 4PCS |
| 3 | LOCK WASHER 5/16" * 13mm | | 6PCS+1PC SPARE |
| 4 | FLAT WASHER 5/16" * 19mm | | 6 PCS+1PC SPARE |
| 5 | ALLEN KEY M5 | | 1PC |

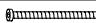



Z-B2(BOX2)-Hardware pack is located in 505675(B2)

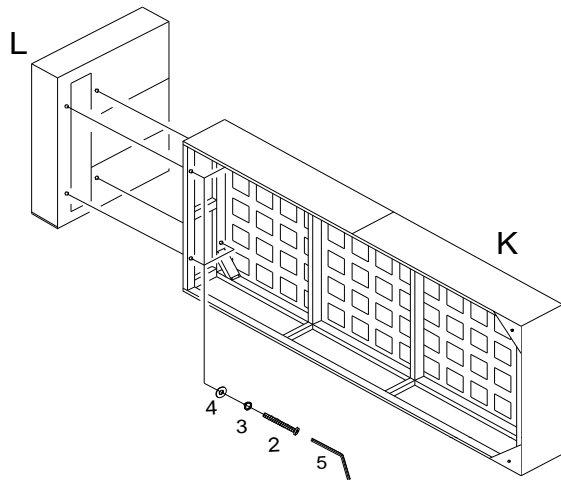
ITEM : 505675B2 SOFA (LAF)

ASSEMBLY INSTRUCTIONS

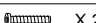





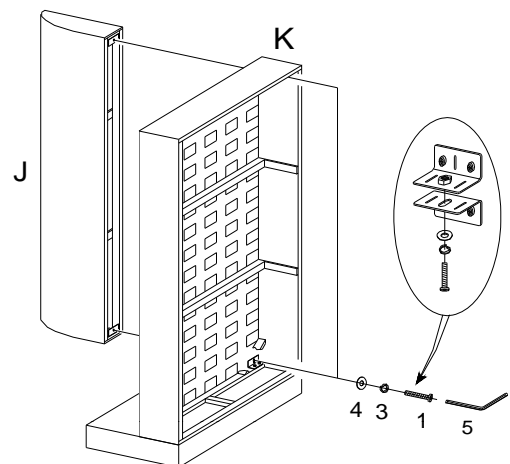
STEP 1

| | | | | | |
|---|---|-----|---|---|-----|
| 2 |  | X 4 | 3 |  | X 4 |
| 4 |  | X 4 | 5 |  | X 1 |

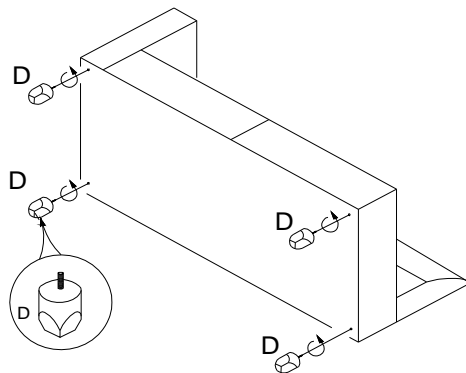


STEP 2

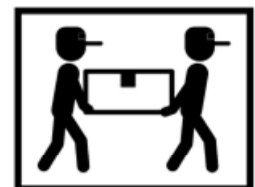
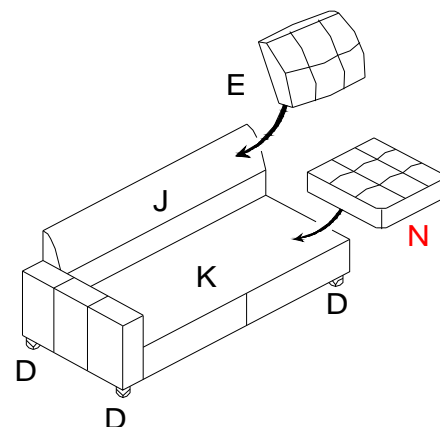
| | | | | | |
|---|---|-----|---|---|-----|
| 1 |  | X 2 | 3 |  | X 2 |
| 4 |  | X 2 | 5 |  | X 1 |



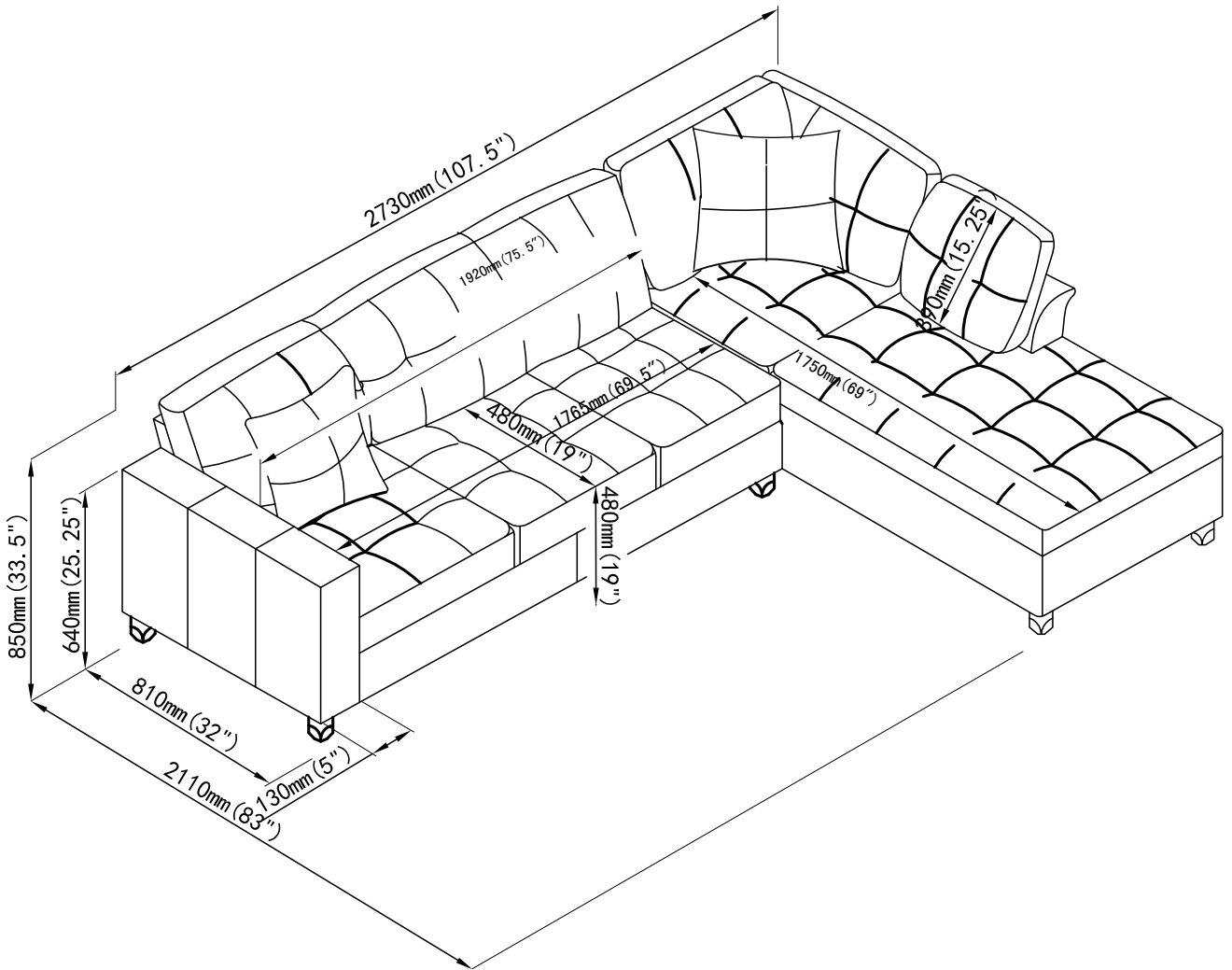
STEP 3



STEP 4



505675



Note: Dimension tolerance $\pm 5\%$

