

ASSEMBLY INSTRUCTIONS
COASTER FINE FURNITURE



Fine Furniture for every stage of life

120715
BAR TABLE

REVISION 0 : 09/04/2017
REVISION 1 : 07/02/2020

ITEM:120715



ASSEMBLY INSTRUCTIONS

ASSEMBLY TIPS:

1. Remove hardware from box and sort by size.
2. Please check to see that all hardware and parts are present prior to start of assembly.
3. Please follow attached instructions in the same sequence as numbered to assure fast & easy assembly.



WARNING!

1. Don't attempt to repair or modify parts that are broken or defective. Please contact the store immediately.
2. This product is for home use only and not intended for commercial establishments.



ASSEMBLY TIME 45 MINUTES

PARTS IDENTIFICATION

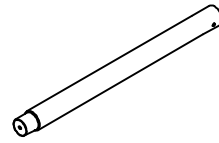
A	TOP GLASS		1PC
B	BASE		1PC
C	BOTTOM SHELF		1PC
D	TOP SHELF		1PC
E	STEEL GUARD		1PC
F	TOP POST		1PC

ITEM:120715 ASSEMBLY INSTRUCTIONS



G

BOTTOM POST



1PC

HARDWARE IDENTIFICATION

1

LARGE ALLEN KEY
(1/4" x 63mm SR)



1PC

2

SPRING WASHER
(5/16")



1PC

3

HEXAGONAL
(1/4")



1PC

4

NUT
(1/4")



2PCS

5

MEDIUM ALLEN BOLT
(1/4" x 53mm SR)



2PCS

6

SMALL ALLEN BOLT
(1/4" x 12mm SR)



3PCS

7

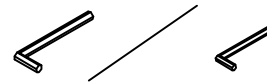
WASHER
(5/16" x 57mm)



1PC

8

ALLEN WRENCH
(4mm,5mm)

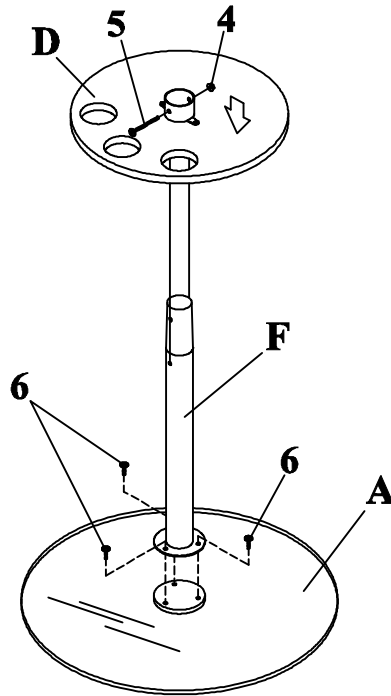


1PC

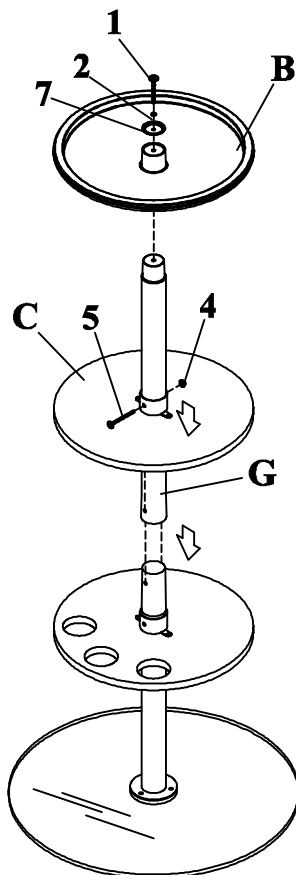
ITEM:120715 ASSEMBLY INSTRUCTIONS



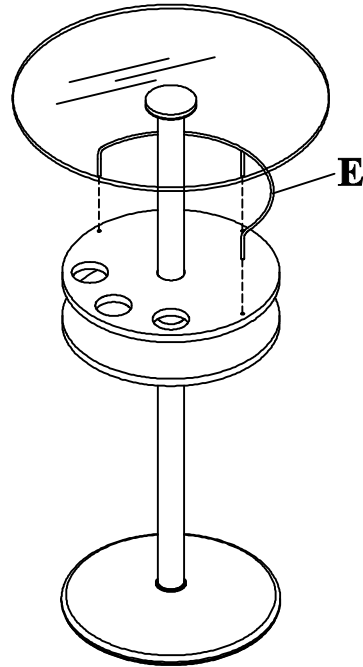
STEP 1 Do not tighten until each step is completed or instructed.



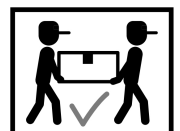
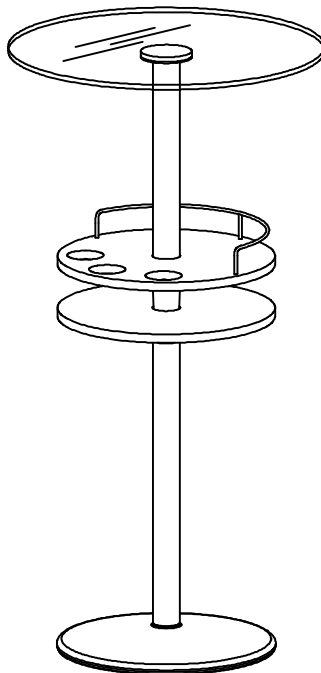
STEP 2



ITEM:120715
ASSEMBLY INSTRUCTIONS
STEP 3



STEP 4
COMPLETE



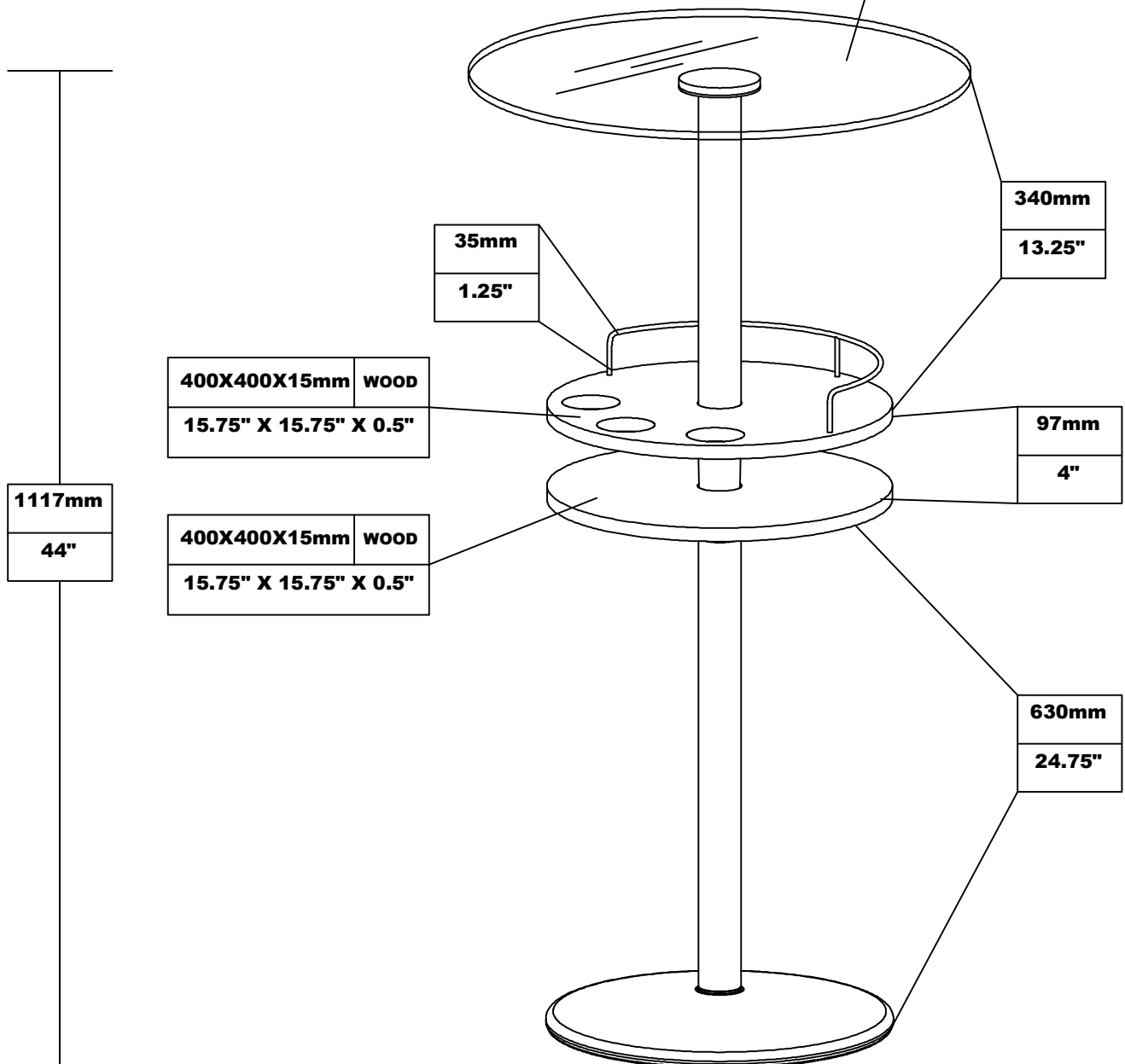
ITEM:120715 ASSEMBLY INSTRUCTIONS

Product Size : 597 DIA X 1117H (MM)

Product Size : 23.5" DIA X 44"

597X597X8mm GLASS

23.5" X 23.5" X 0.25"



Note : Dimension tolerance $\pm 5\%$