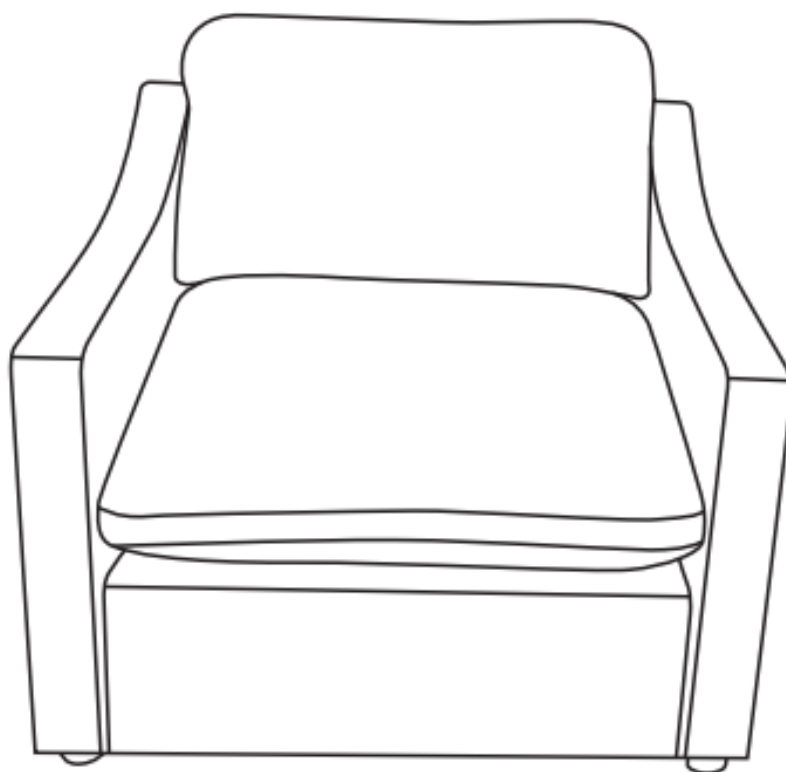




*ASSEMBLY INSTRUCTIONS  
COASTER FINE FURNITURE*



**506773**

**CHAIR**

ITEM: 506773

## ASSEMBLY INSTRUCTIONS



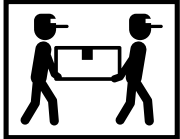
### ASSEMBLY TIPS:

1. Remove hardware from box and sort by size.
2. Please check to see that all hardware and parts are present prior to start of assembly.
3. Please follow attached instructions in the same sequence as numbered to assure fast & easy assembly.



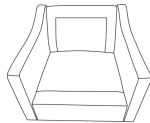


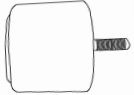
### WARNING!

1. Don't attempt to repair or modify parts that are broken or defective. Please contact the store immediately.
2. This product is for home use only and not intended for commercial establishments.



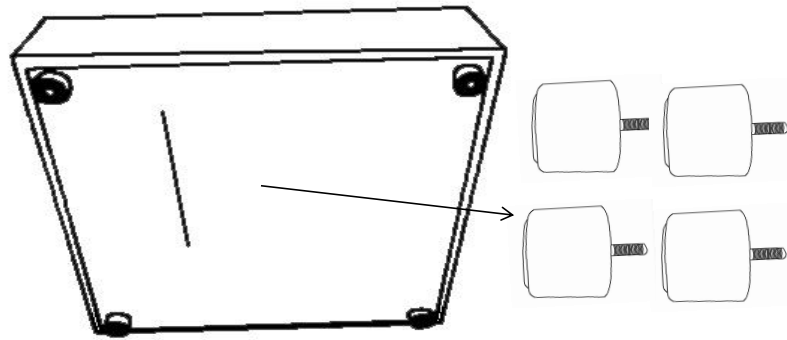
**ASSEMBLY TIME** **8 MINUTES**

### PARTS IDENTIFICATION

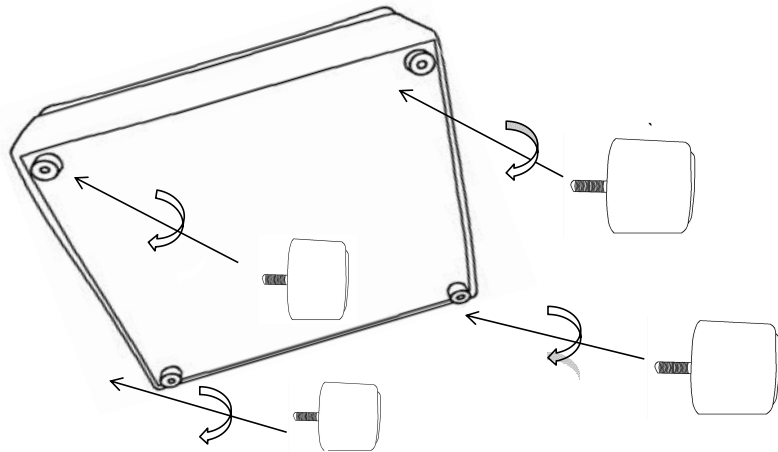
	PART NAME	FIGURE	QUANTITY
A	CHAIR		1PC
B	BACK CUSHION		1PC
C	SEAT CUSHION		1PC
D	LEG		4PCS

ITEM: 506773

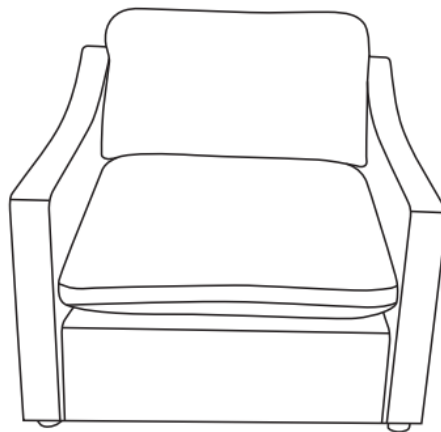
ASSEMBLY INSTRUCTIONS  
STEP 1

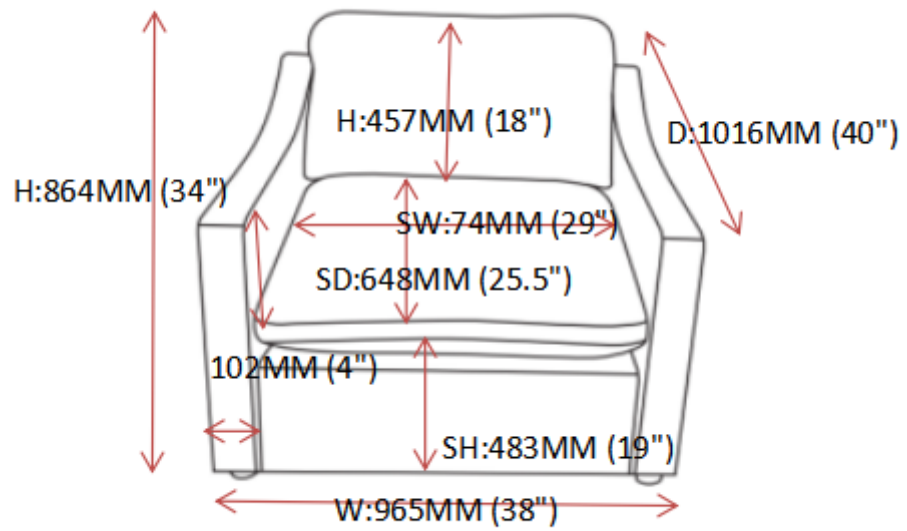


STEP 2



STEP 3





Note : Dimension tolerance  $\pm 5\%$