

ASSEMBLY INSTRUCTIONS
COASTER FINE FURNITURE



Fine Furniture for every stage of life

881281(B1&B2)
Executive Desk

ITEM: 881281(B1&B2)

ASSEMBLY INSTRUCTIONS

ASSEMBLY TIPS:

1. Remove hardware from box and sort by size.
2. Please check to see that all hardware and parts are present prior to start of assembly.
3. Please follow attached instructions in the same sequence as numbered to assure fast & easy assembly.



WARNING!

1. Don't attempt to repair or modify parts that are broken or defective. Please contact the store immediately.
2. This product is for home use only and not intended for commercial establishments.



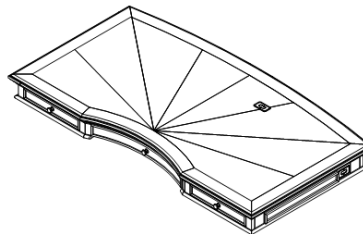
ASSEMBLY TIME

25 MINUTES

PART IDENTIFICATION

B1 (BOX 1)

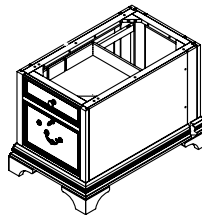
A TOP



1PC

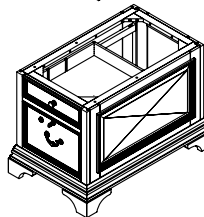
B2 (BOX 2)

B LEFT COMPARTMENT



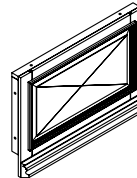
1PC

C RIGHT COMPARTMENT



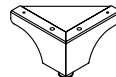
1PC

D CENTER PANEL



1PC

E LEG



8PCS

F DRAWER HANGER



4PCS

G BIG DRAWER DIVIDER



4PCS

H SMALL DRAWER DIVIDER



4PCS

I UNIVERSAL KEY



2SETS

ITEM: 881281(B1&B2)

ASSEMBLY INSTRUCTIONS

ASSEMBLY TIPS:

1. Remove hardware from box and sort by size.
2. Please check to see that all hardware and parts are present prior to start of assembly.
3. Please follow attached instructions in the same sequence as numbered to assure fast & easy assembly.

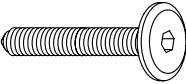
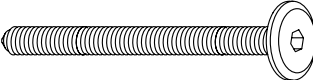
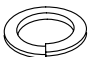


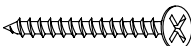
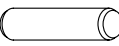


WARNING!

1. Don't attempt to repair or modify parts that are broken or defective. Please contact the store immediately.
2. This product is for home use only and not intended for commercial establishments.

HARDWARE IDENTIFICATION

Z-B2 (BOX 2) - HARDWARE PACK IS LOCATED IN 881281(B2)

1	SHORT BOLT (M6 x 40mm - BLK)		14PCS
2	LONG BOLT (M6 x 100mm - BLK)		16PCS
3	LOCK WASHER (1.6 x 14mm - BLK)		30PCS
4	FLAT WASHER (1 x 18mm - BLK)		30PCS
5	ALLEN WRENCH (M4 x 65mm - BLK)		1PC
6	FLAT HEAD SCREW (4 x 38mm - BLK)		16PCS
7	WOOD DOWEL (10 x 30mm - BRW)		4PCS

NOTE:

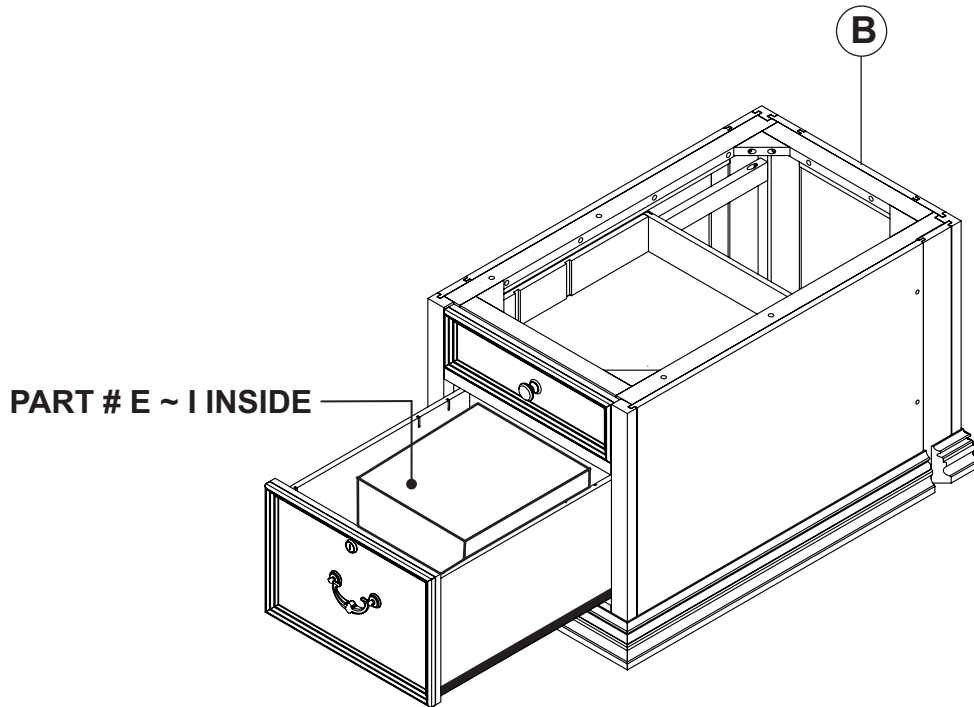
Phillips head screw driver is required in the assembly process; however, manufacturer does not provide this item.

ITEM: **881281(B1&B2)**

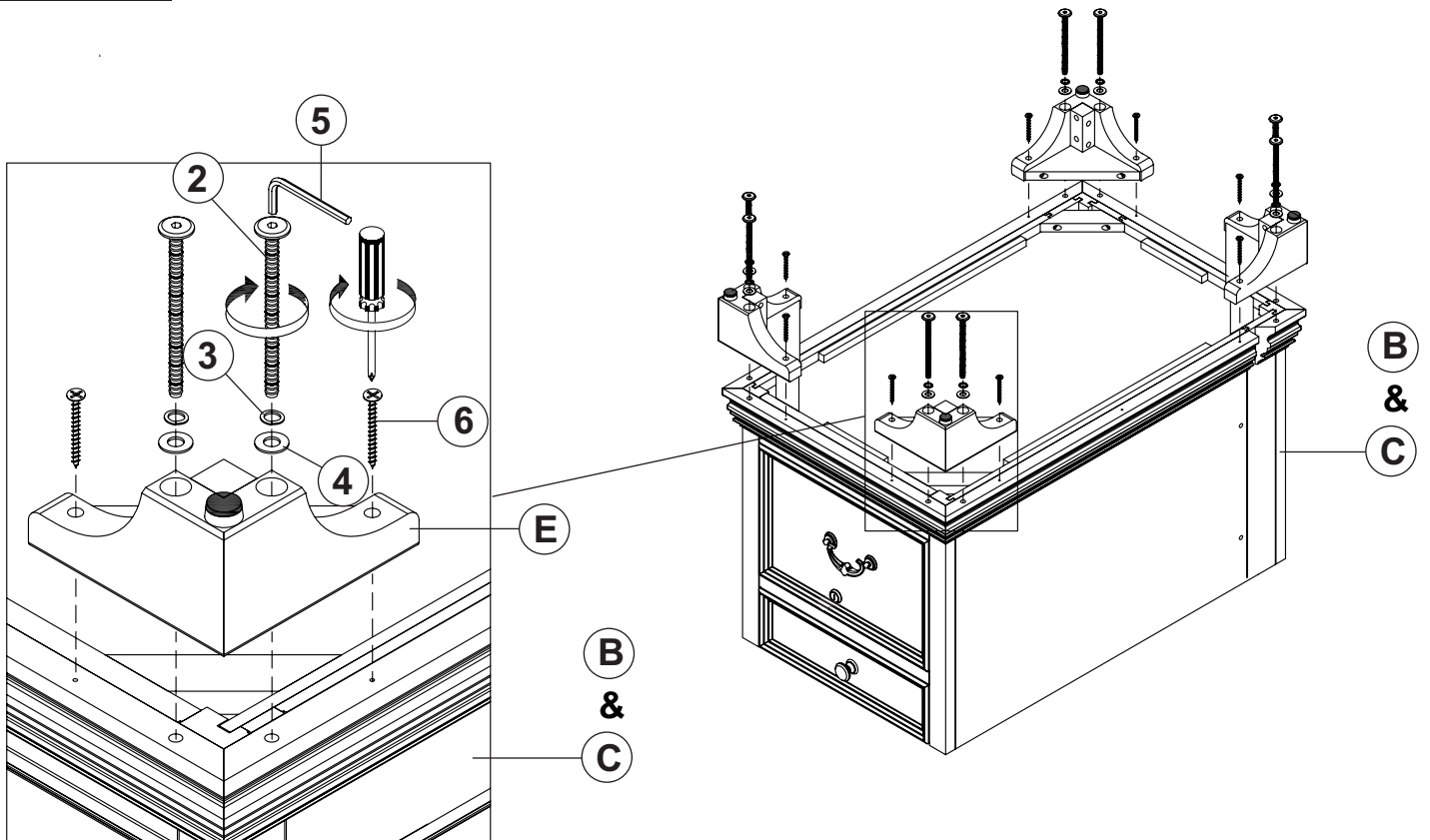
ASSEMBLY INSTRUCTIONS



STEP 1



STEP 2

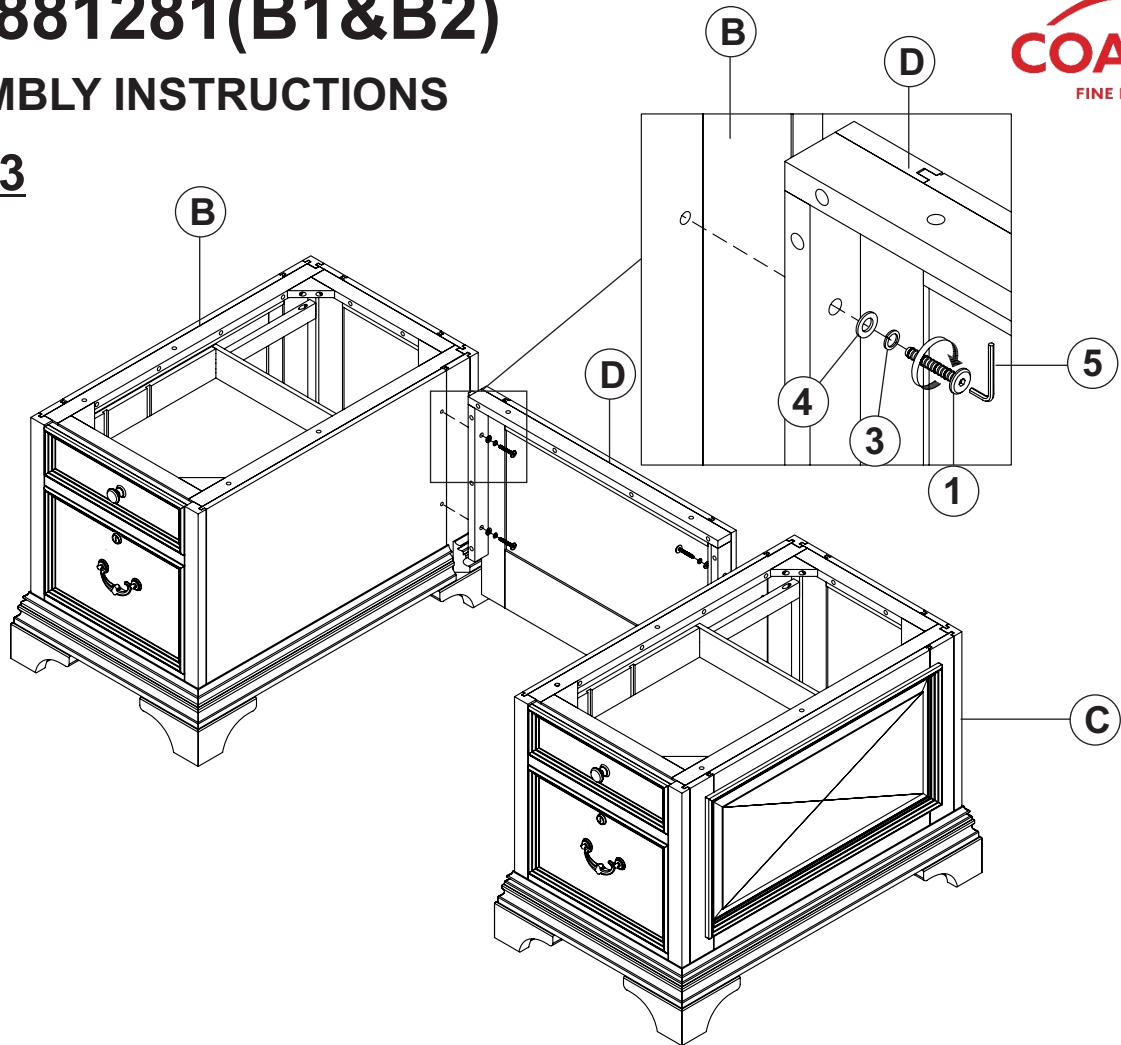


ITEM: 881281(B1&B2)

ASSEMBLY INSTRUCTIONS

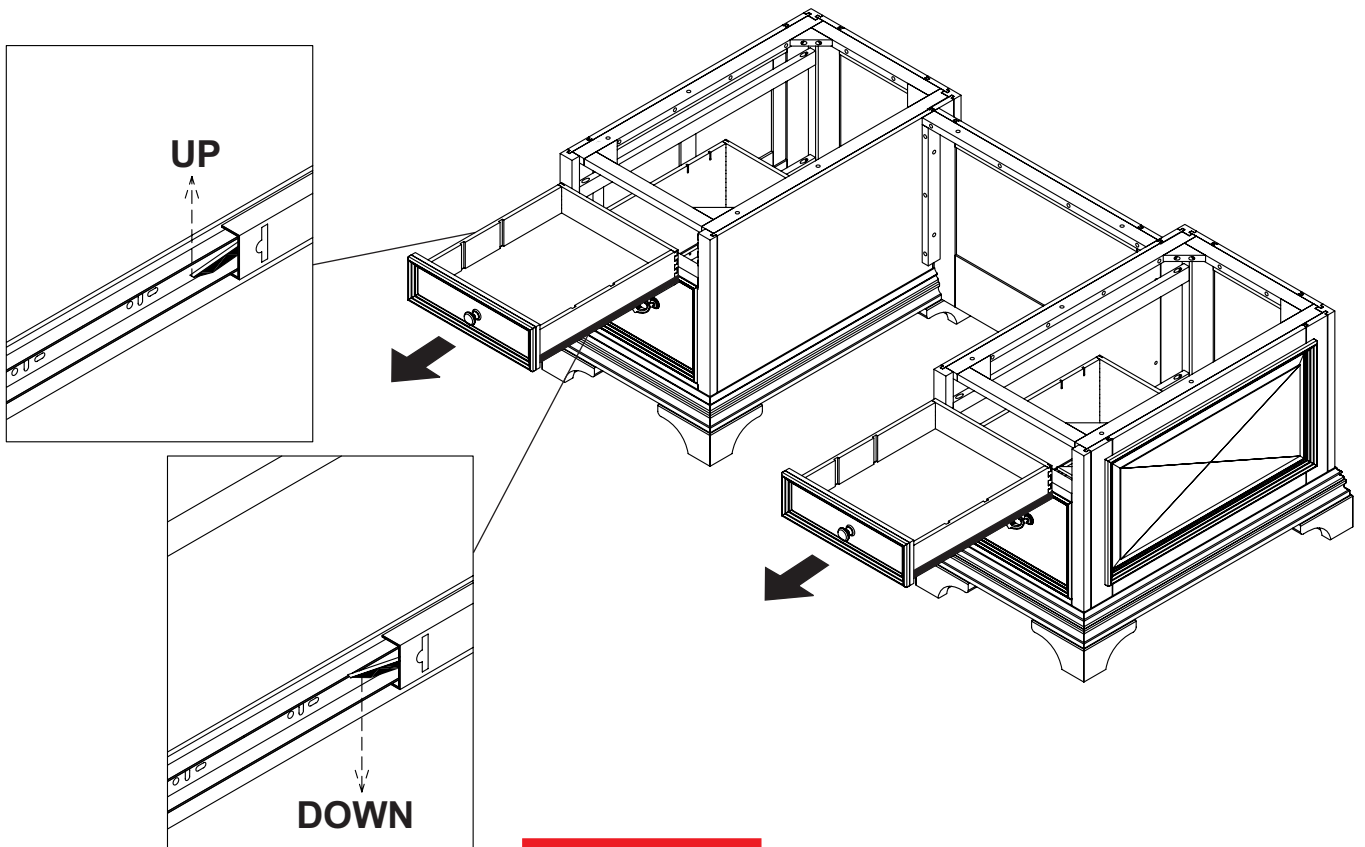


STEP 3



STEP 4

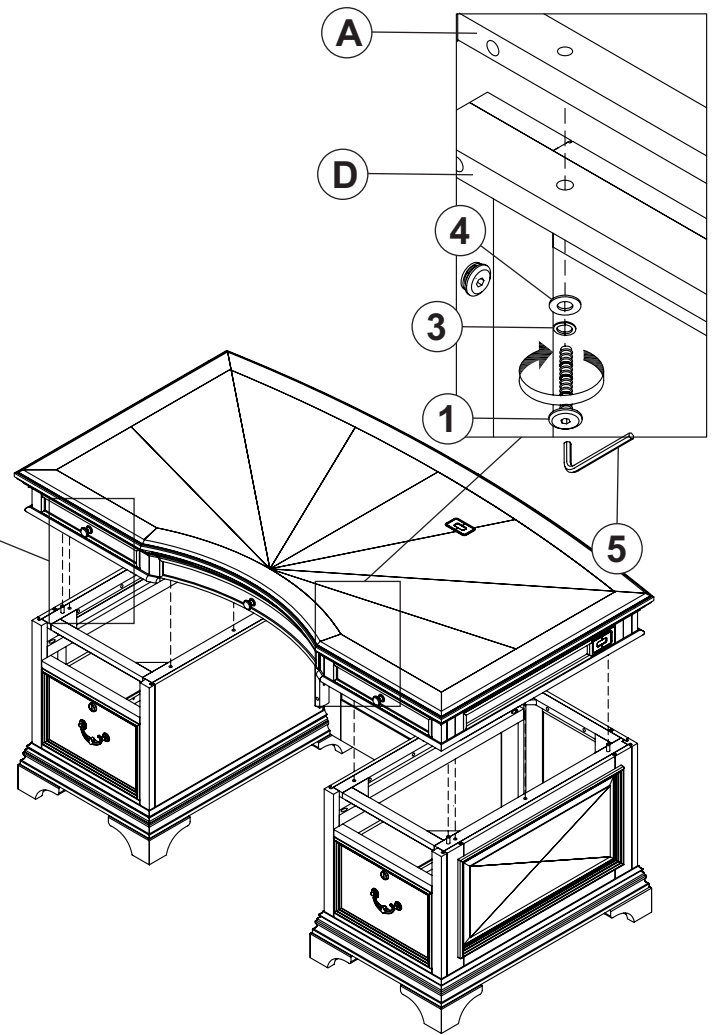
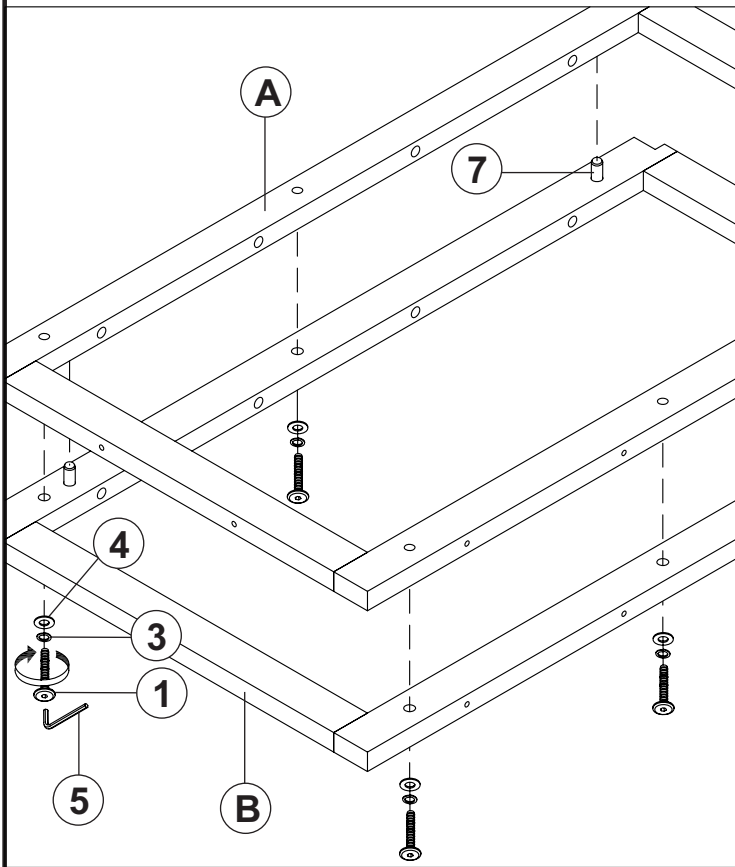
REMOVE DRAWER,
BEFORE ATTACHING THE TOP



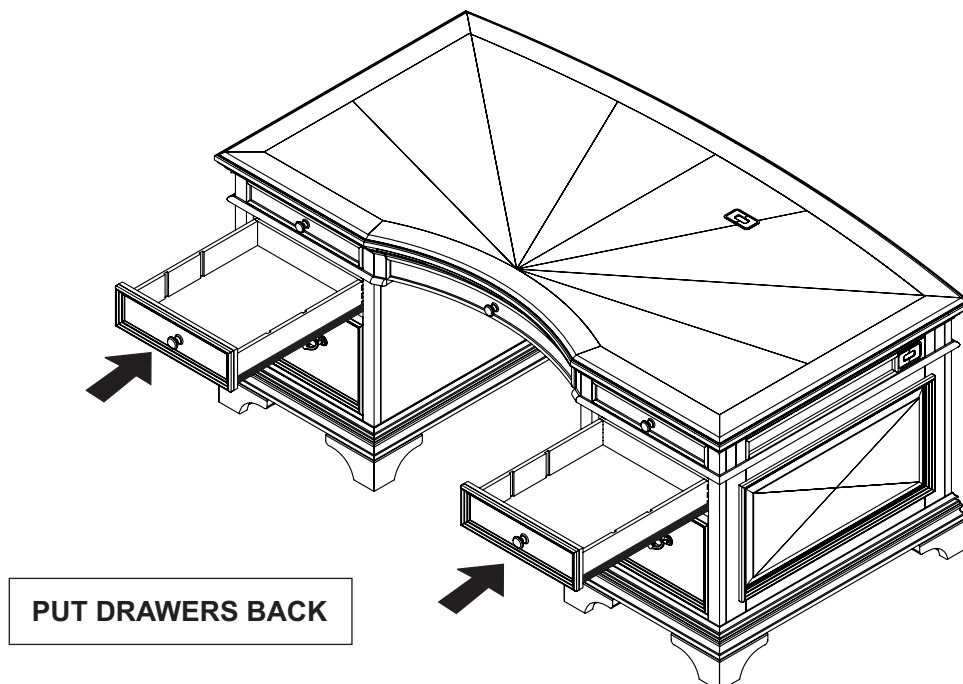
ITEM: 881281(B1&B2)

ASSEMBLY INSTRUCTIONS

STEP 5



STEP 6

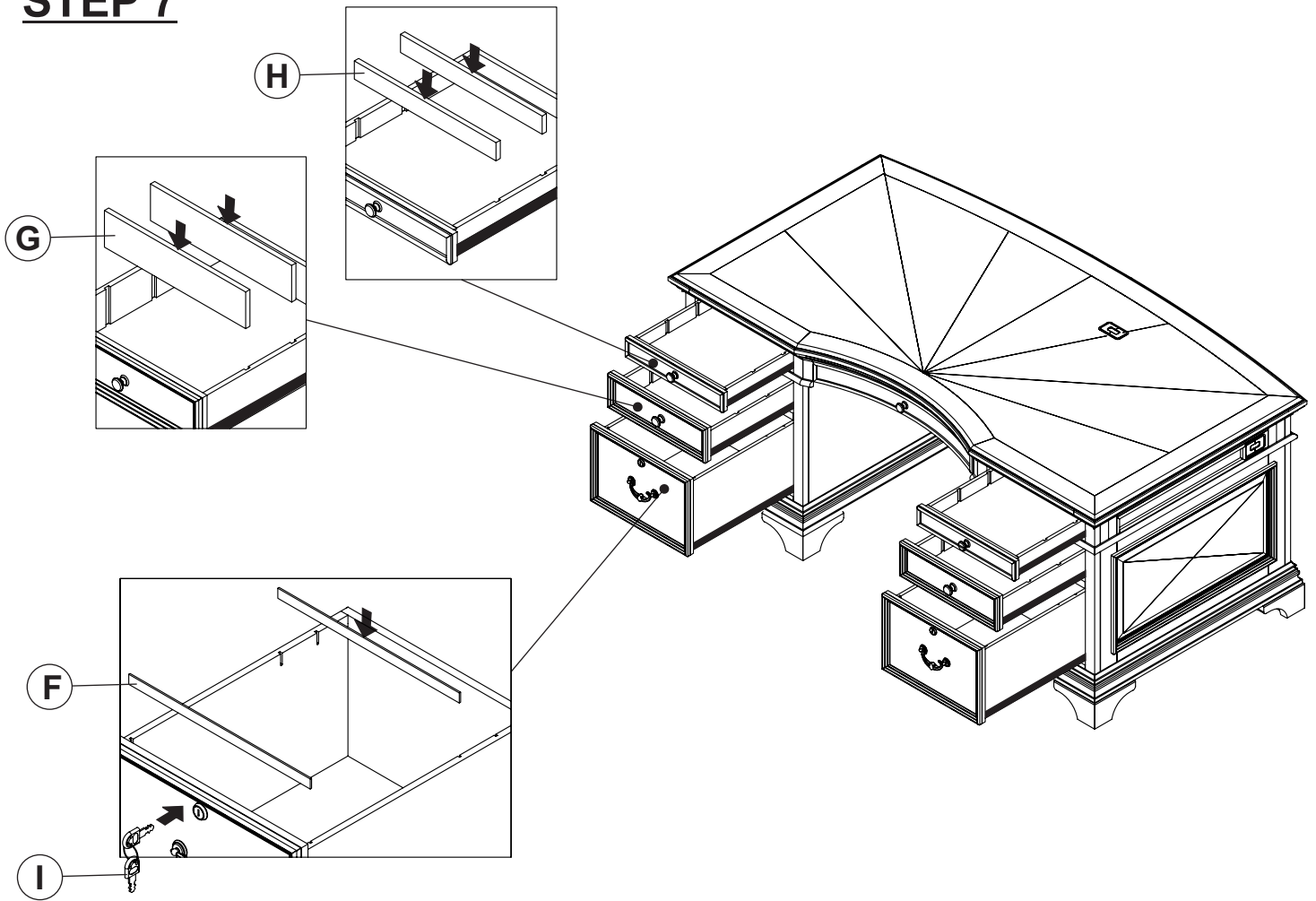


ITEM: 881281(B1&B2)

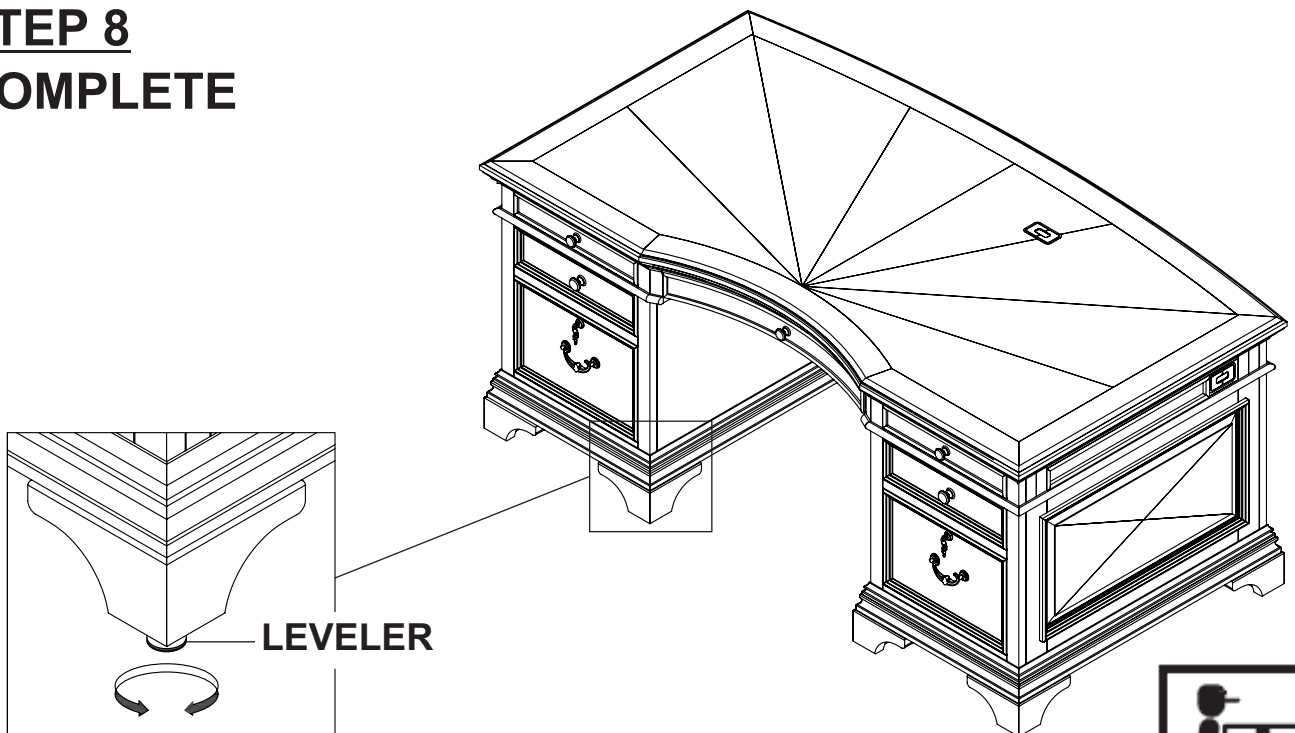
ASSEMBLY INSTRUCTIONS



STEP 7



STEP 8 COMPLETE



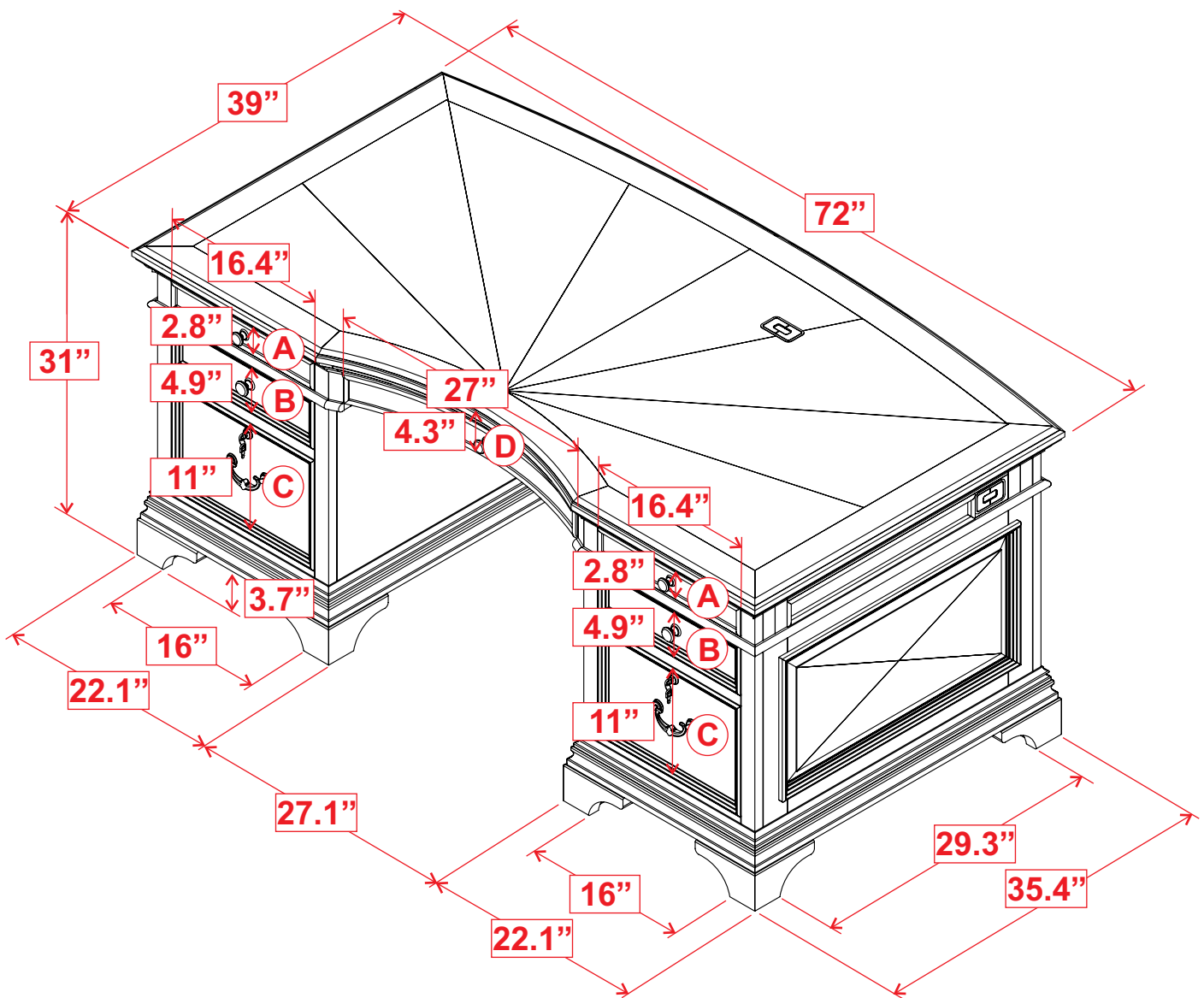
ITEM: 881281(B1&B2)

INNER SIZE OF DRAWER (A) : 14.4"W x 17.8"D x 1.8"H

INNER SIZE OF DRAWER (B) : 14.4"W x 17.8"D x 3"H

INNER SIZE OF DRAWER (C) : 14.4"W x 17.8"D x 9.6"H

INNER SIZE OF DRAWER (D) : 24.9"W x 10.7"D x 1.8"H



NOTE: Dimension tolerance $\pm 5\%$