

*ASSEMBLY INSTRUCTIONS*  
*COASTER FINE FURNITURE*



*Fine Furniture for every stage of life*

900082  
**ACCENT TABLE**

REVISION 0 : 09/15/2017  
REVISION 1 : 07/30/2020

ITEM:900082



# ASSEMBLY INSTRUCTIONS

## ASSEMBLY TIPS:

1. Remove hardware from box and sort by size.
2. Please check to see that all hardware and parts are present prior to start of assembly.
3. Please follow attached instructions in the same sequence as numbered to assure fast & easy assembly.



## WARNING!

1. Don't attempt to repair or modify parts that are broken or defective. Please contact the store immediately.
2. This product is for home use only and not intended for commercial establishments.

ASSEMBLY TIME 20 MINUTES

## PARTS IDENTIFICATION

A	TOP GLASS		1PC
B	TOP FRAME		1PC
C	LEFT FRAME		1PC
D	RIGHT FRAME		1PC
E	CROSSBAR		1PC

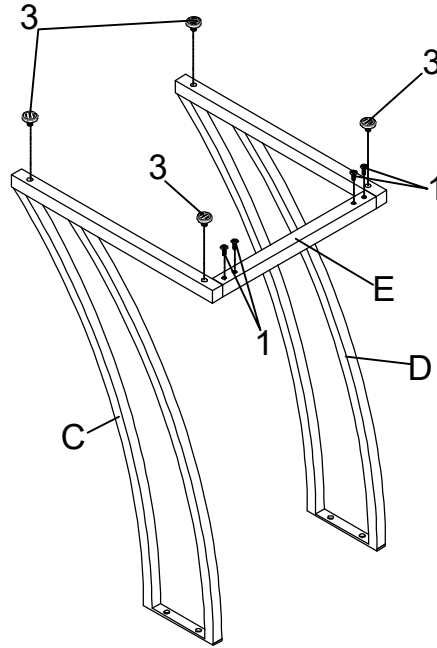
## HARDWARE IDENTIFICATION

1	BOLT (1/4" x 12mm SR)		8PCS	3	LEVELER (1/4" x 12mm)		4PCS
2	SUCTION CUP (5mm)		4PCS	4	ALLEN WRENCH (4mm)		1PC

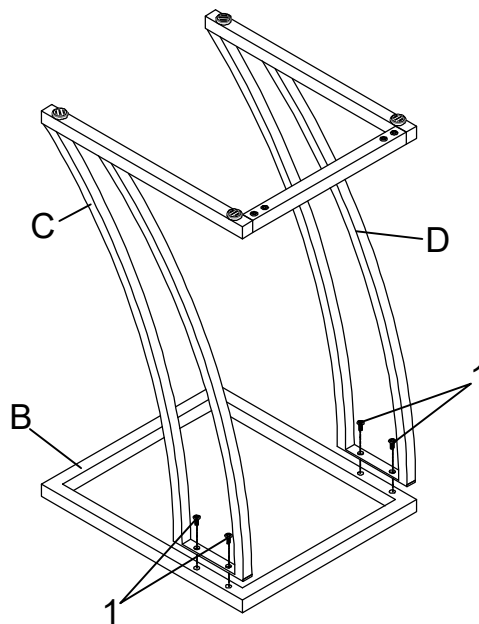
# ITEM:900082 ASSEMBLY INSTRUCTIONS



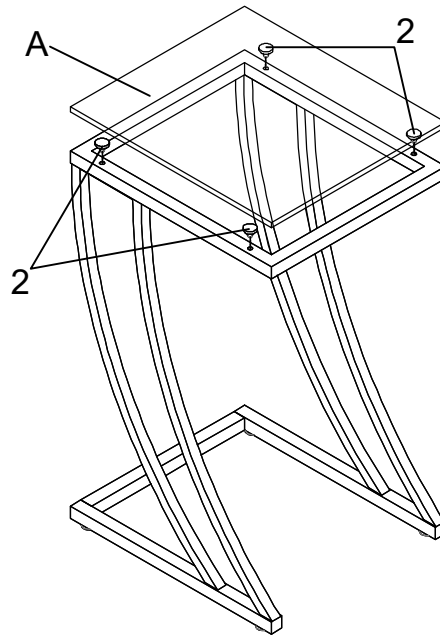
**STEP 1** Do not tighten until each step is completed or instructed.



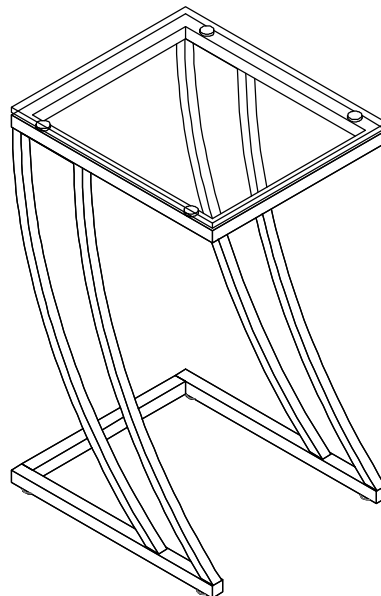
## STEP 2



ITEM:900082  
ASSEMBLY INSTRUCTIONS  
STEP 3



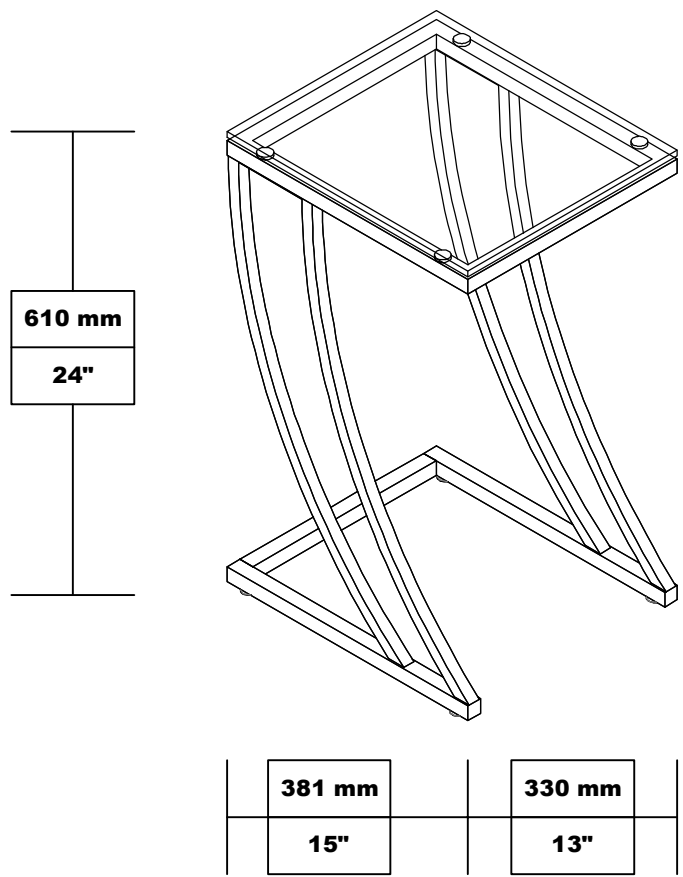
STEP 4  
COMPLETE



# ITEM:900082 ASSEMBLY INSTRUCTIONS



<b>Product Size : 330 X 381 X 610 H (MM)</b>
<b>Product Size : 13" X 15" X 24"</b>



Note : Dimension tolerance  $\pm 5\%$