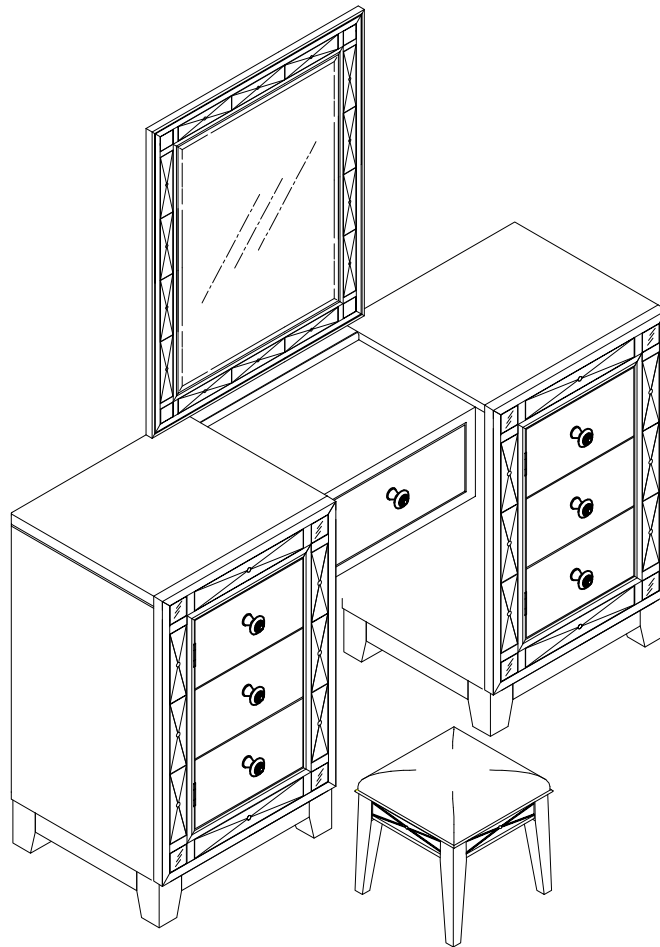


*ASSEMBLY INSTRUCTIONS*  
*COASTER FINE FURNITURE*



*Fine Furniture for every stage of life*

**204928**  
***Vanity Desk Mirror***

# ITEM:204928



## ASSEMBLY INSTRUCTIONS

### ASSEMBLY TIPS:

- 1.Remove hardware from box and sort by size
- 2.Please check to see that all hardware and parts are present prior to start of assembly.
- 3.Please follow attached instruction in the same sequence as numbered to assure fast & easy assembly.



### WARNING!

- 1.Don't attempt to repair or modify parts that are broken or defective. Please contact the store immediately.
- 2.This product is for home use only and not intended for commercial establishments.



ASSEMBLY TIME

10 MINUTES

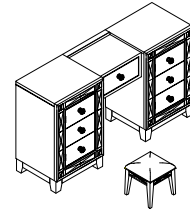
## PARTS IDENTIFICATION

AN VANITY MIRROR



1PC

BN DESK & STOOL  
FROM BOX  
ITEM# 204927



1PC

CN MIRROR SUPPORT  
(PACKED WITH DESK)



2PCS

## HARDWARE IDENTIFICATION

1 BOLT  
(1/4" x 38mm- RBW)



6PCS

2 LOCK WASHER  
(1/4" - RBW)



6PCS

3 FLAT WASHER  
(1/4" - RBW)



6PCS

4 ALLEN WRENCH  
(4MM - RBW)

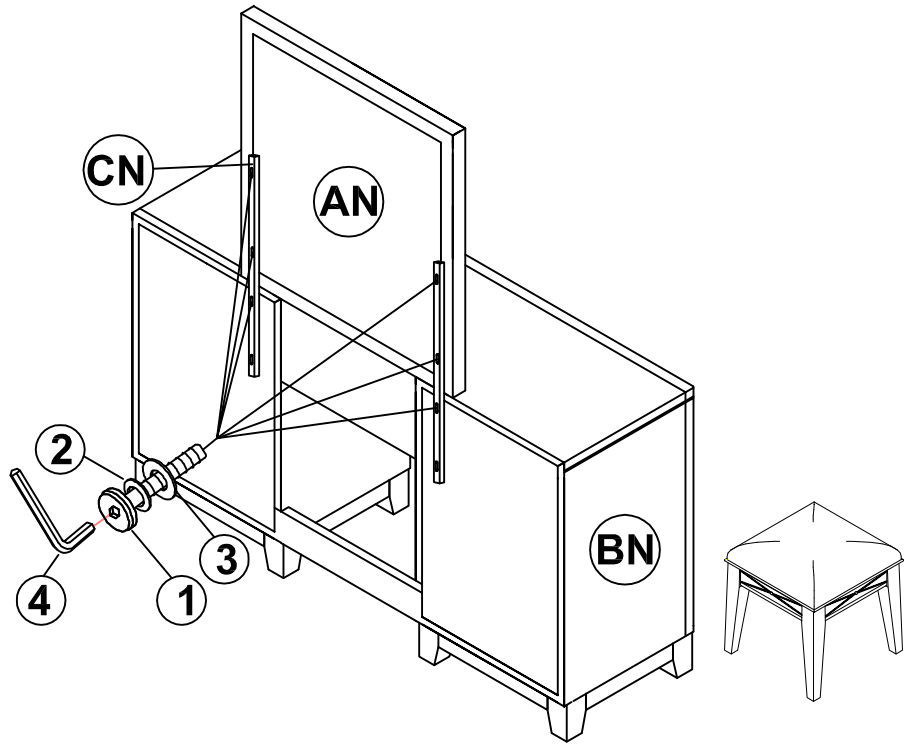


1PC

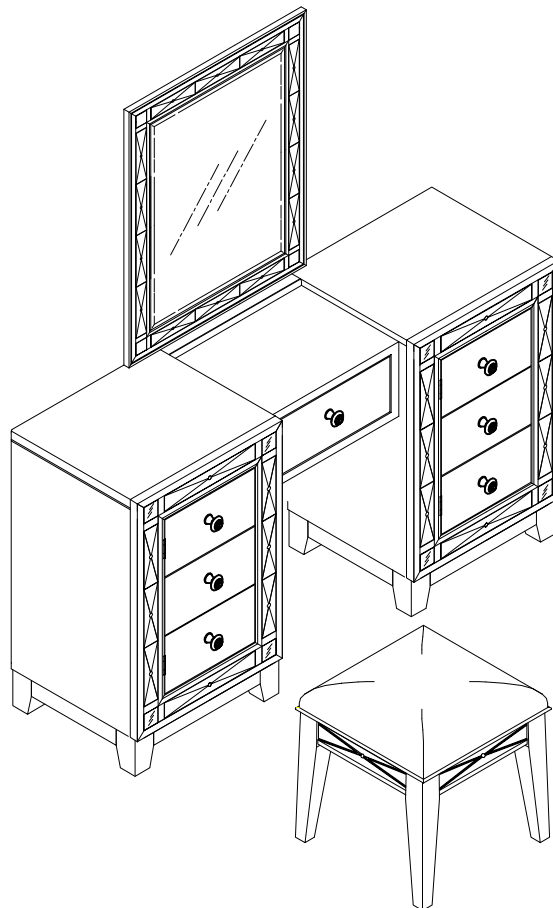
ITEM: **204928**

**ASSEMBLY INSTRUCTIONS**

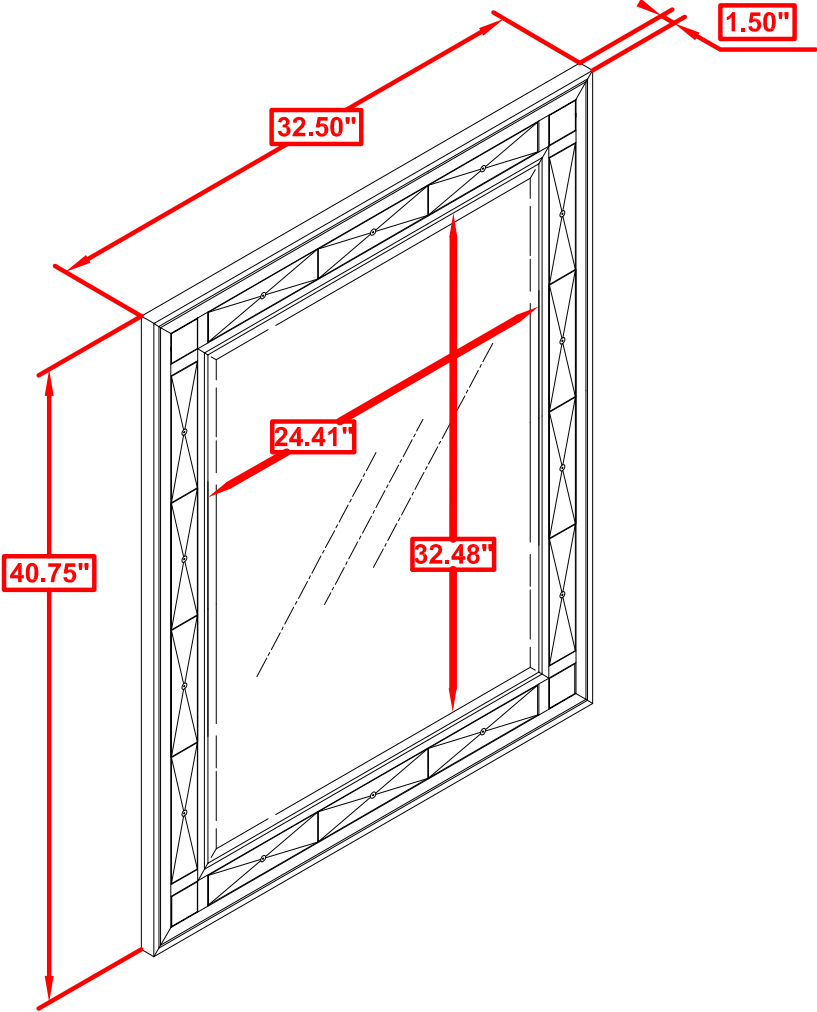
**STEP 1**



**STEP 2**  
**COMPLETE**



ITEM:204928



**Note:**Dimension tolerance  $\pm 5\%$