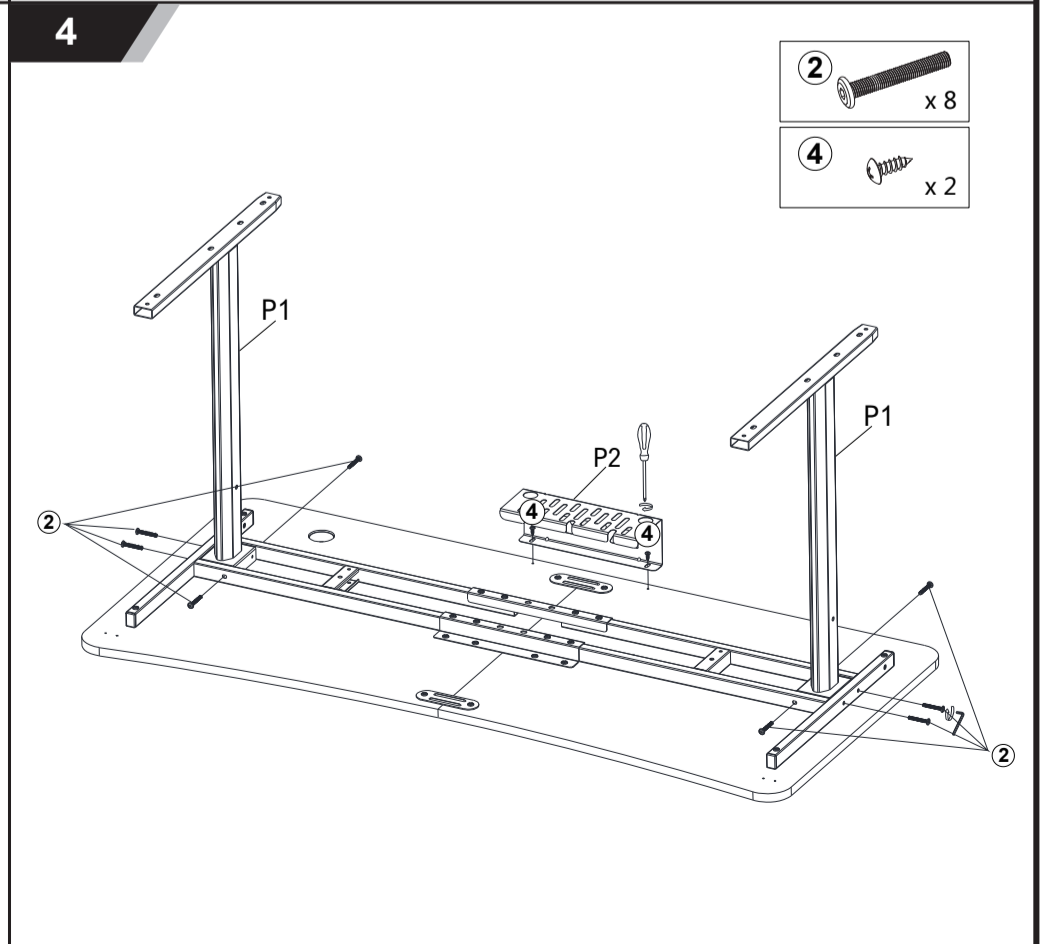
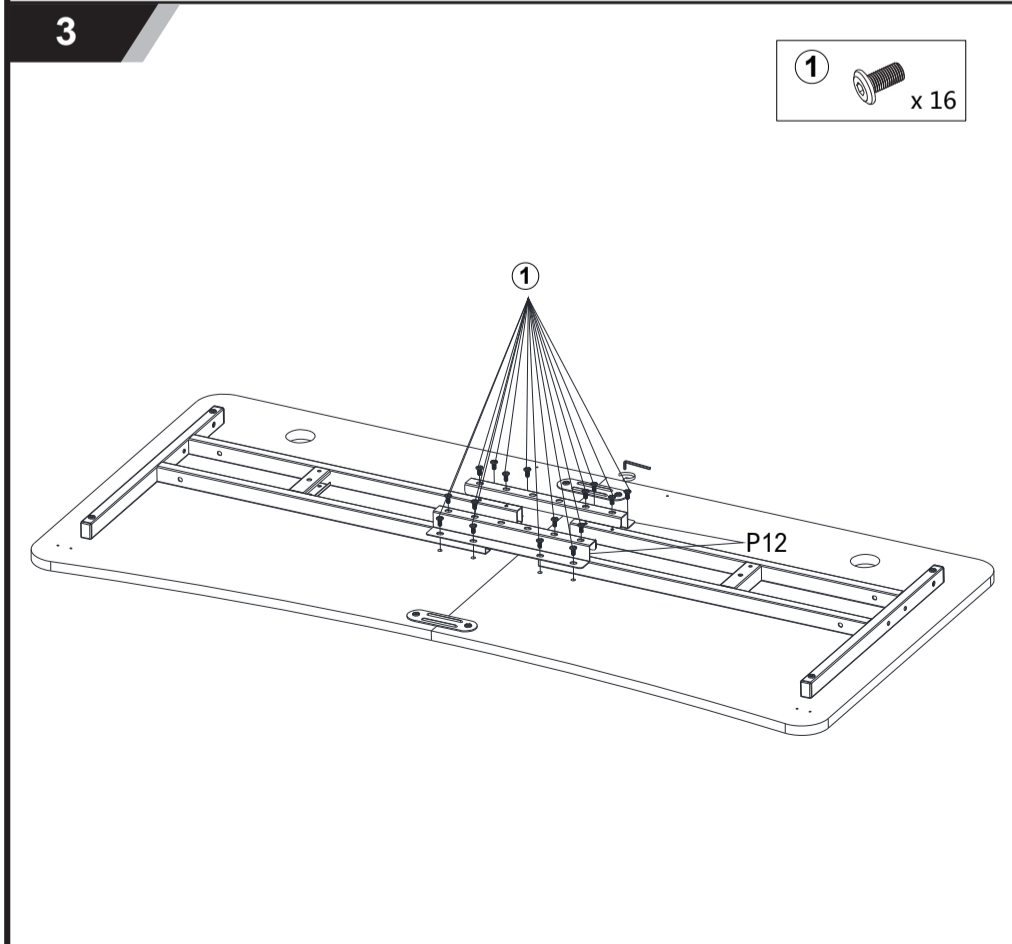
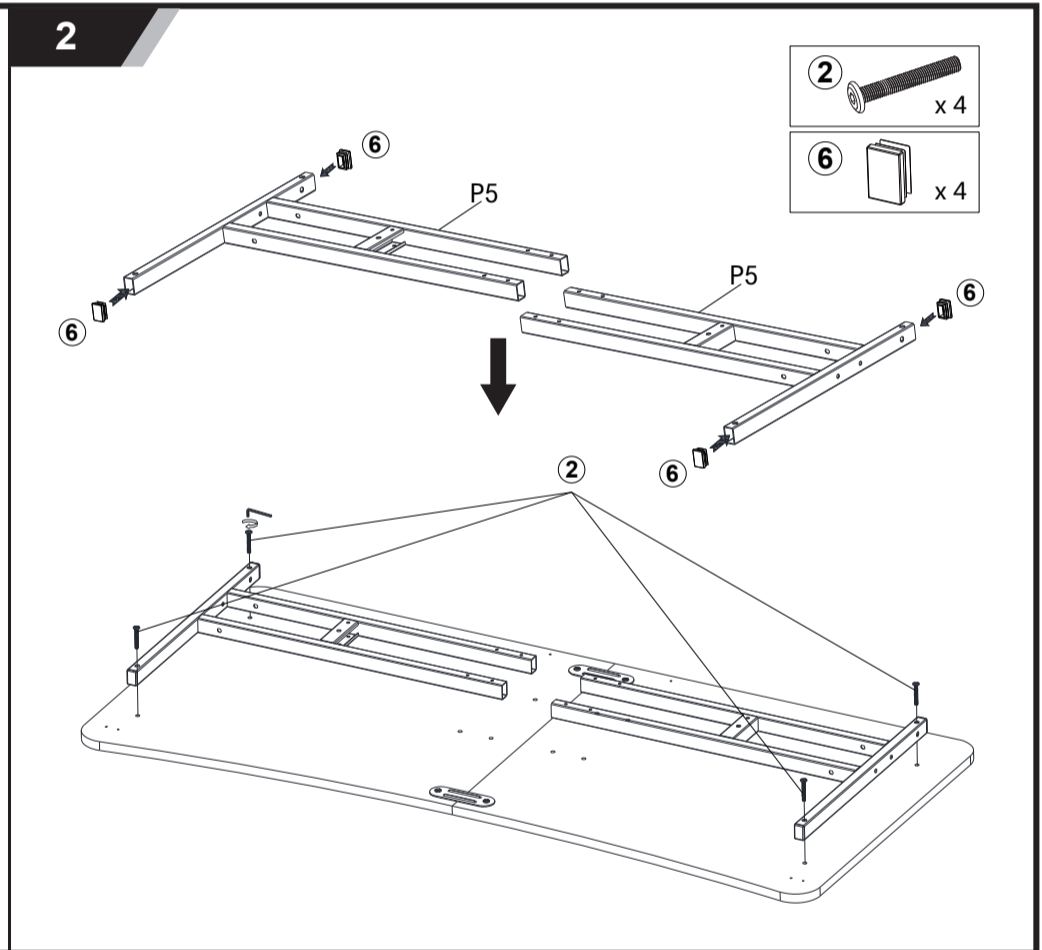
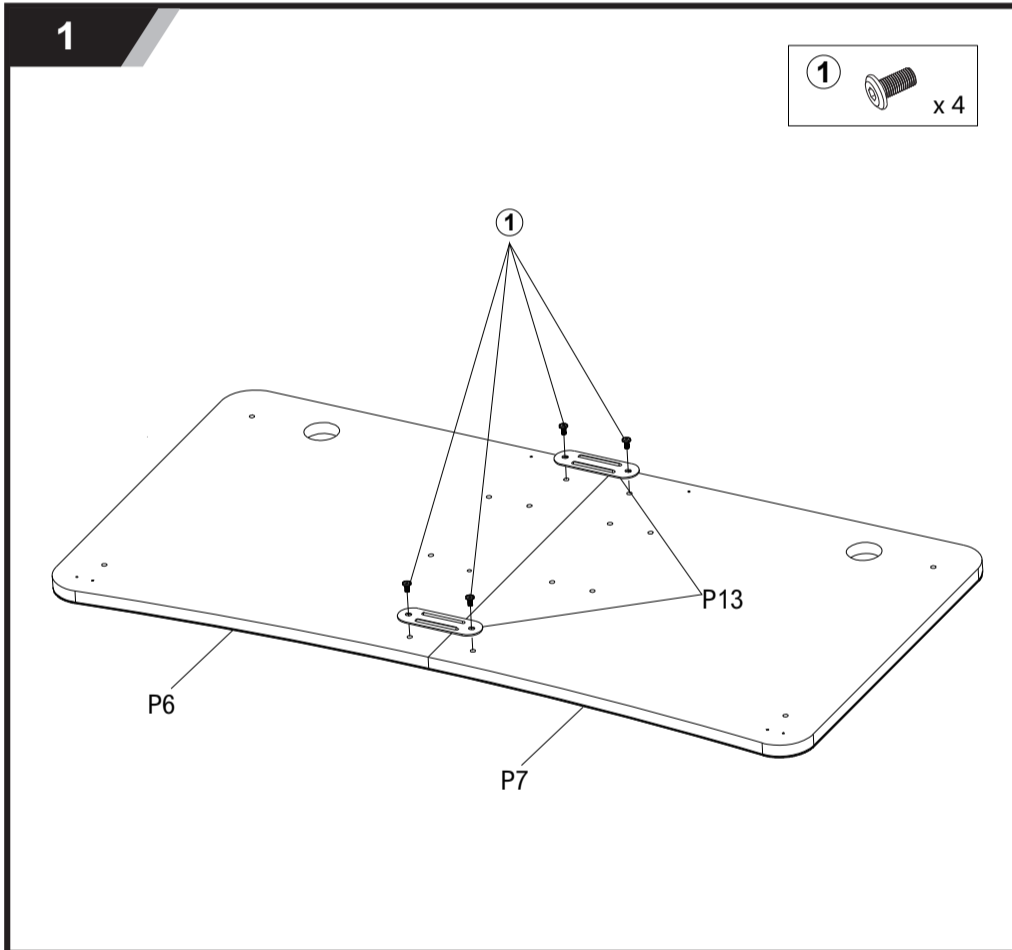
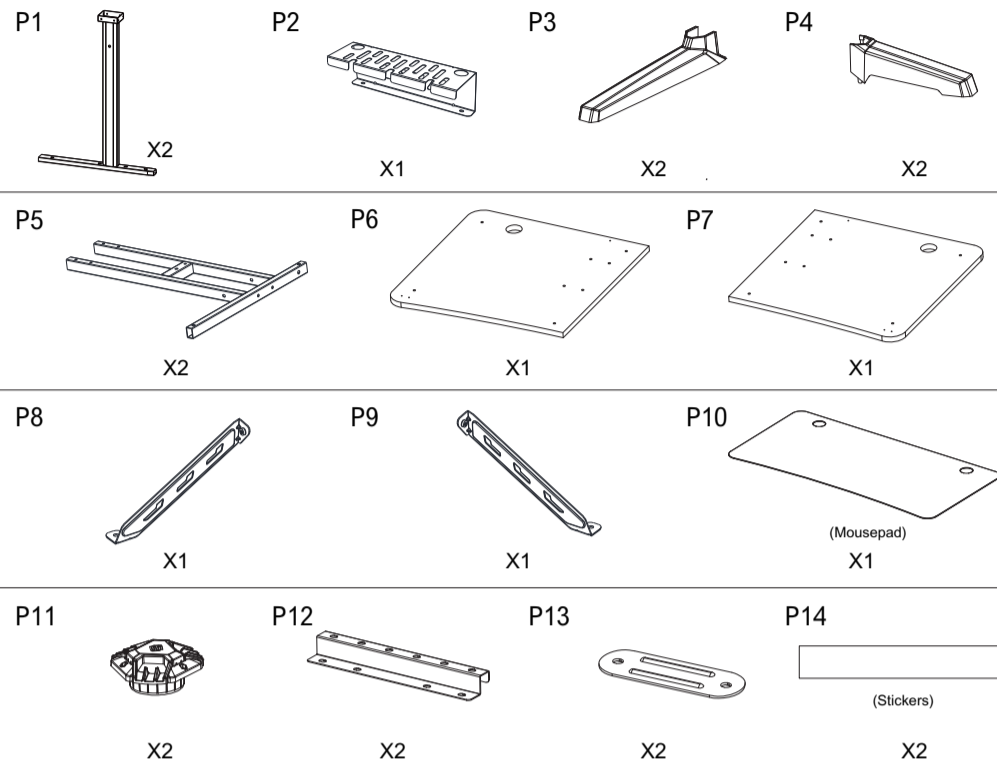
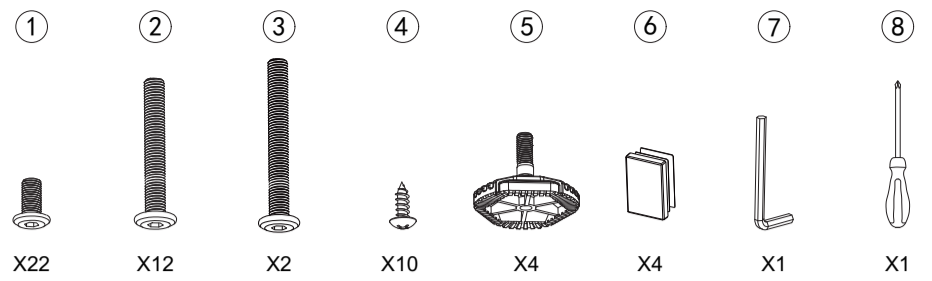


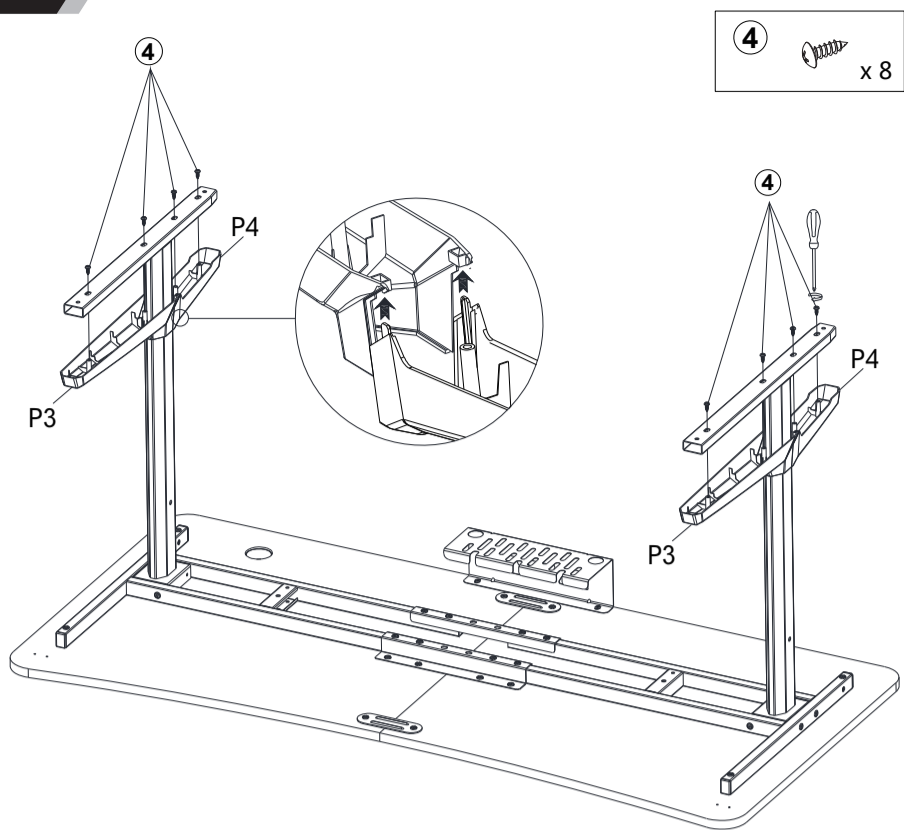
Caution: This instructions book is written for universal use and subject to specification variance of actual parts.

802436

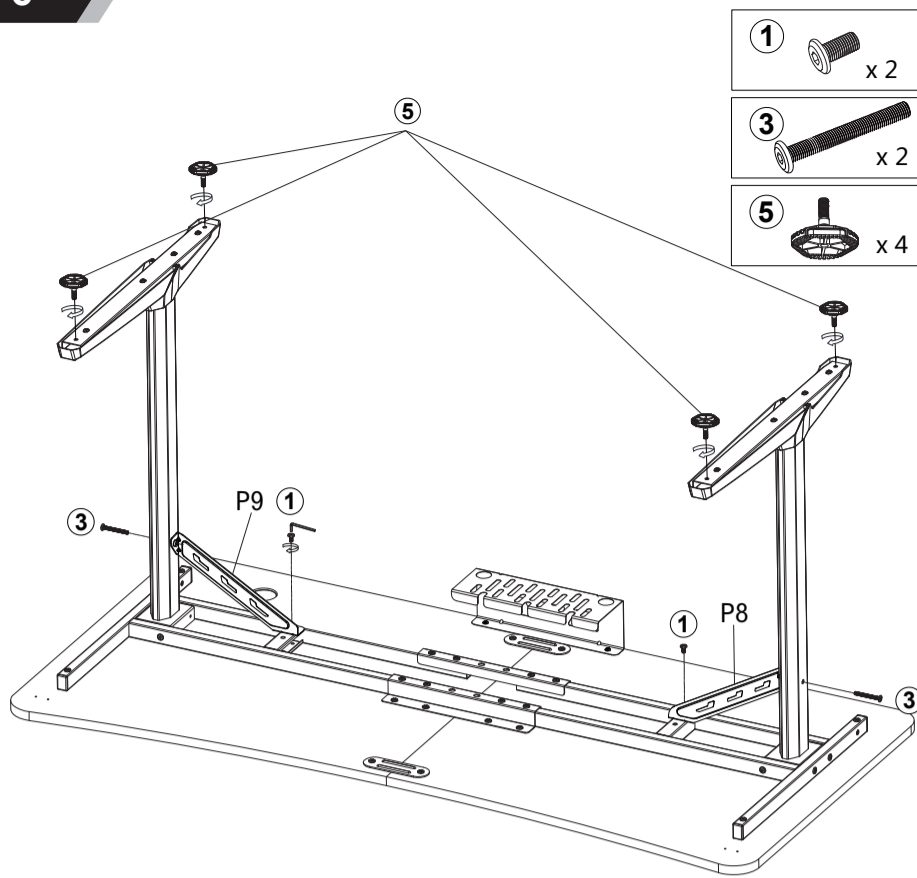
COMPONENT



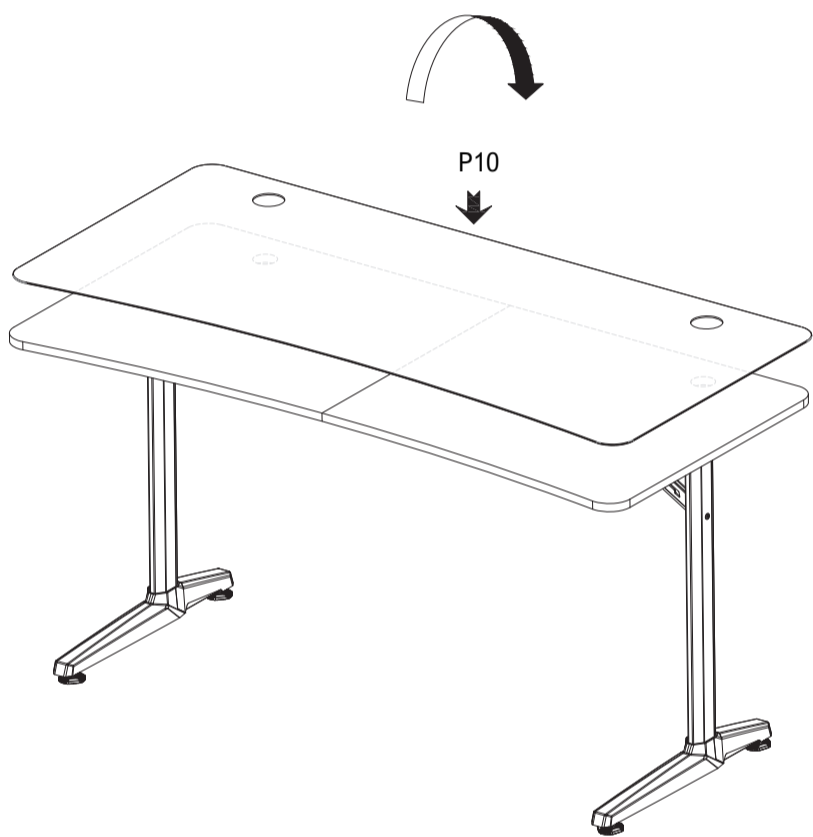
5



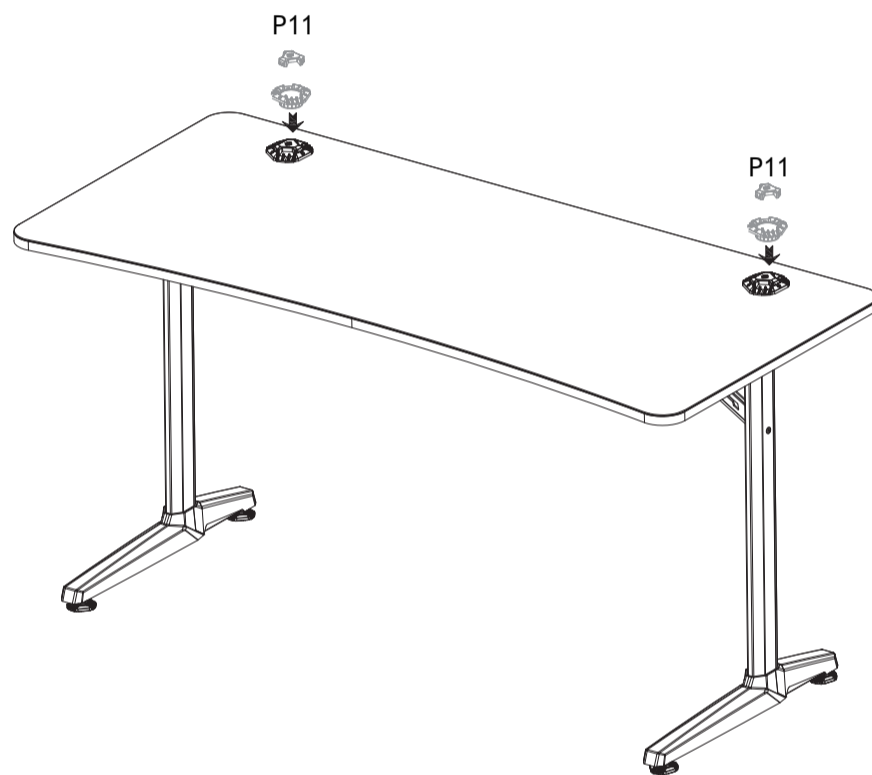
6



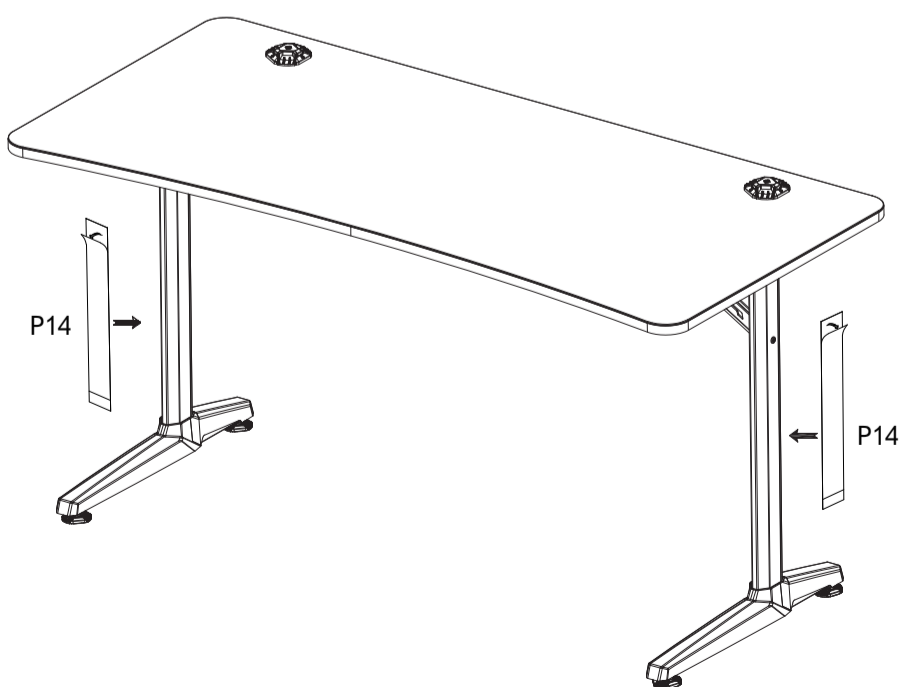
7



8



9



ACCESSORY

