

ASSEMBLY INSTRUCTIONS
COASTER FINE FURNITURE



Fine Furniture for every stage of life

100770
Dining Table

REVISION 0: 01/10/2006
REVISION 1: 03/19/2012
REVISION 2: 11/26/2012
REVISION 3: 09/06/2018
REVISION 4: 11/13/2020

ITEM: 100770



ASSEMBLY INSTRUCTIONS

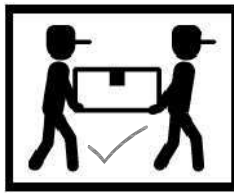
ASSEMBLY TIPS :

1. Remove hardware from box and sort by size.
2. Please check to see that all hardware and parts are present prior to start of assembly.
3. Please follow attached instructions in the same sequence as numbered to assure fast & easy assembly.



WARNING !

1. Don't attempt to repair or modify parts that are broken or defective. Please contact the store immediately.
2. This product is for home use only and not intended for commercial establishments.



ASSEMBLY TIME

10 MINUTES

PARTS IDENTIFICATION

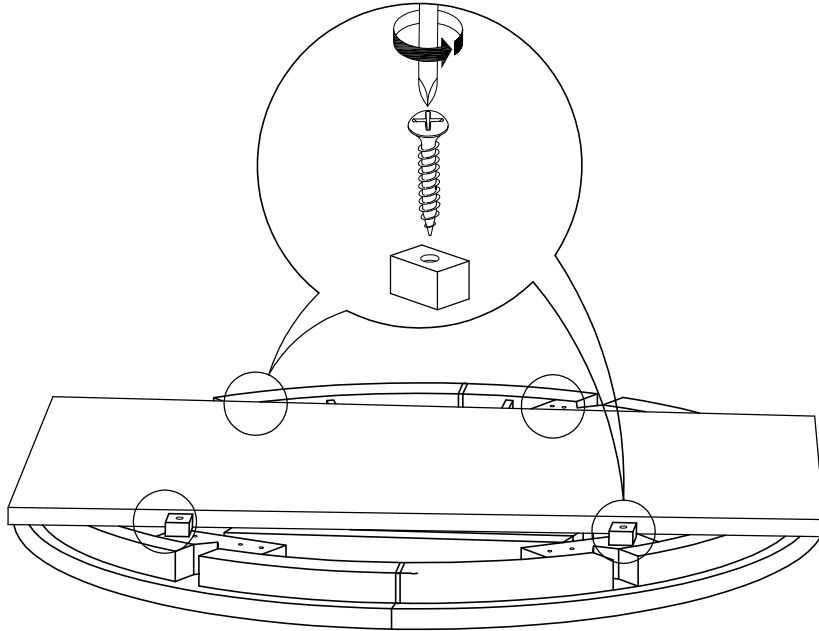
A	TOP		1PC
B	LEG		4PCS
C	LEAF		1PC
D	APRON		2PCS

HARDWARE IDENTIFICATION

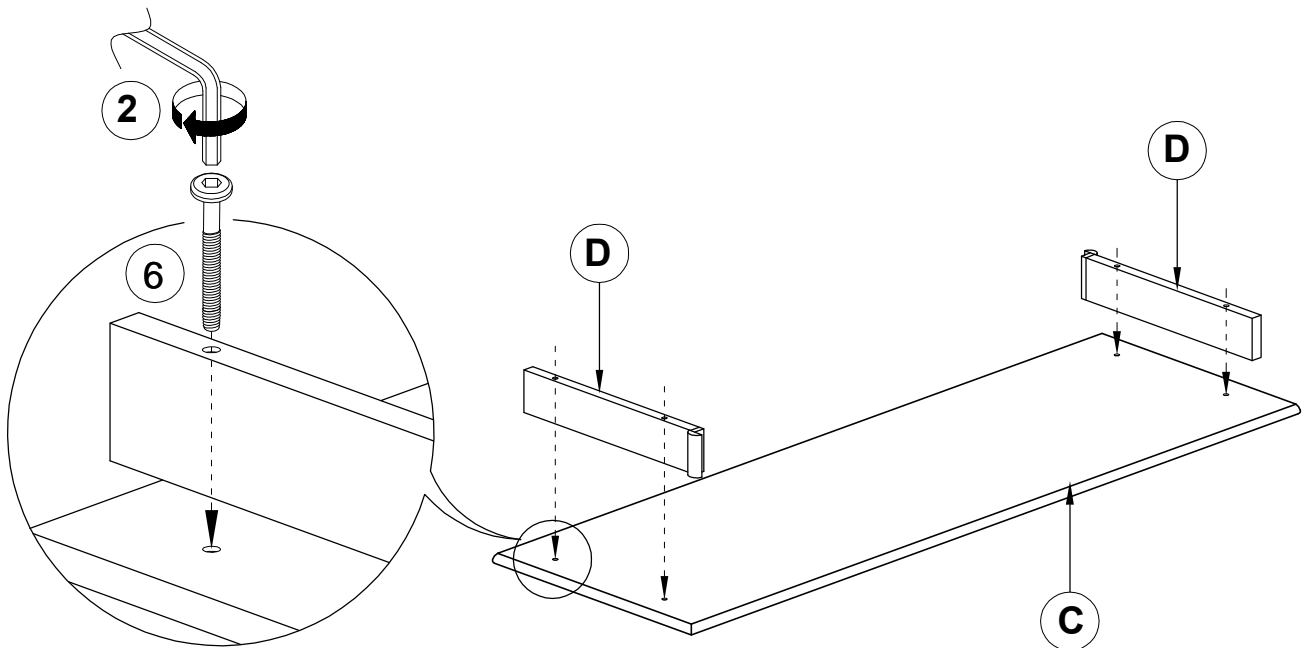
1	WRENCH (12.8MM - RBW)		1PC
2	ALLEN WRENCH (M4 x 63MM - BLK)		1PC
3	HEX NUT (5/16" - RBW)		8PCS
4	LOCK WASHER (5/16" - RBW)		8PCS
5	FLAT WASHER (5/16" - RBW)		8PCS
6	BOLT (M6 x 60MM - RBW)		4PCS

ITEM: **100770**
ASSEMBLY INSTRUCTIONS

STEP 1



STEP 2

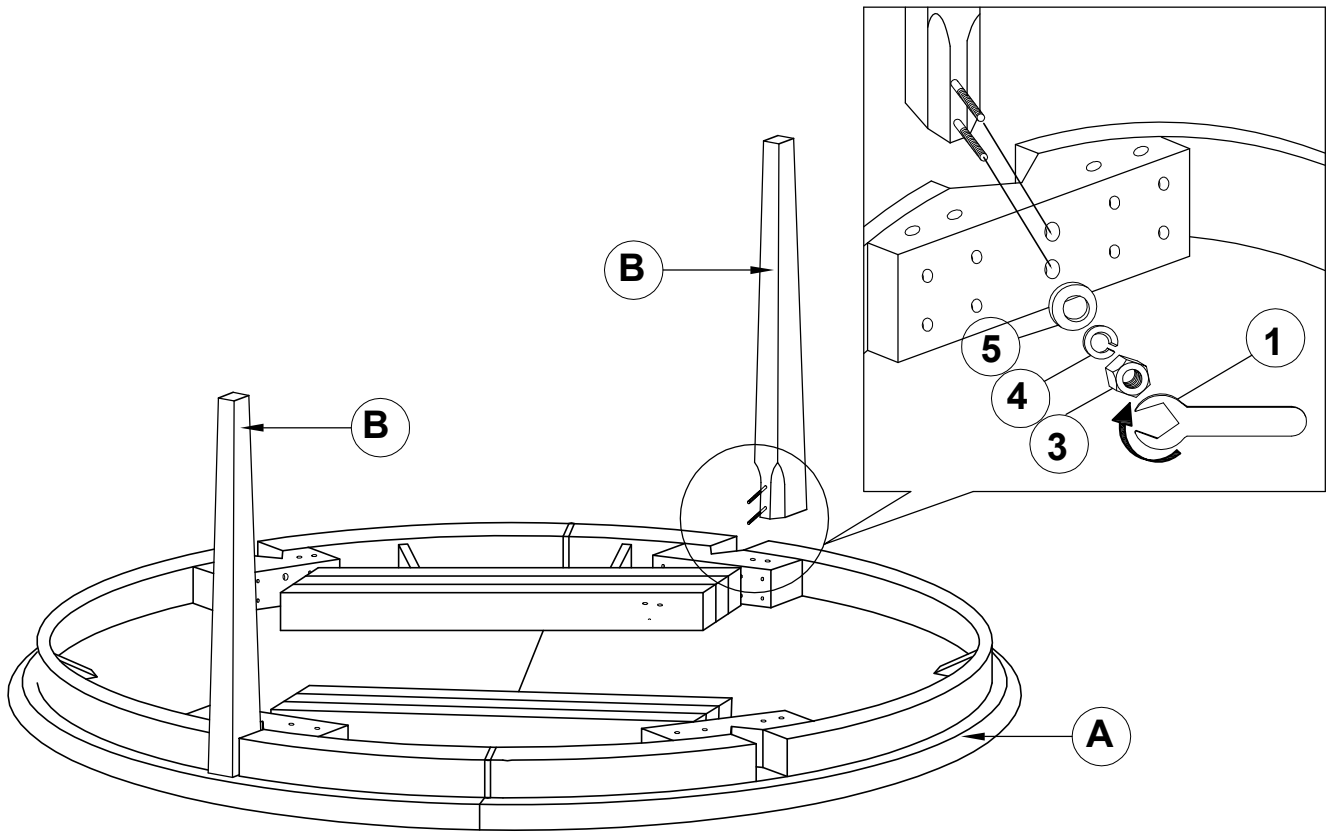


ITEM: **100770**

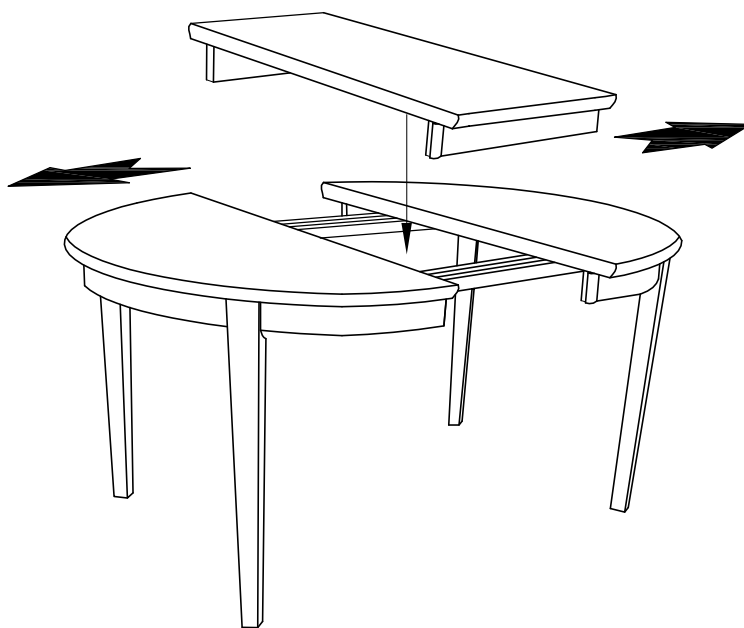
ASSEMBLY INSTRUCTIONS



STEP 3



STEP 4

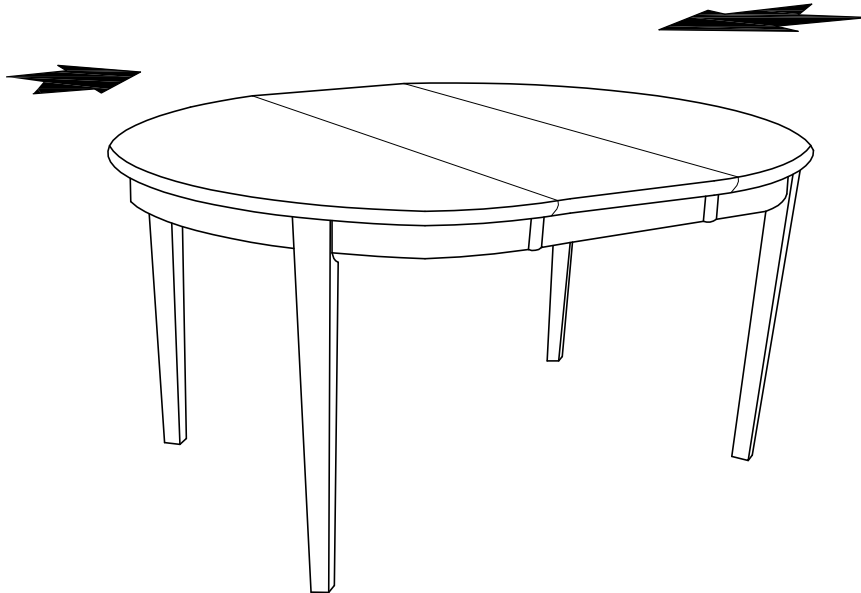


ITEM: **100770**

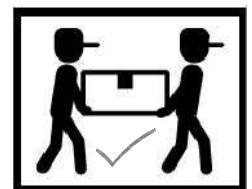
ASSEMBLY INSTRUCTIONS



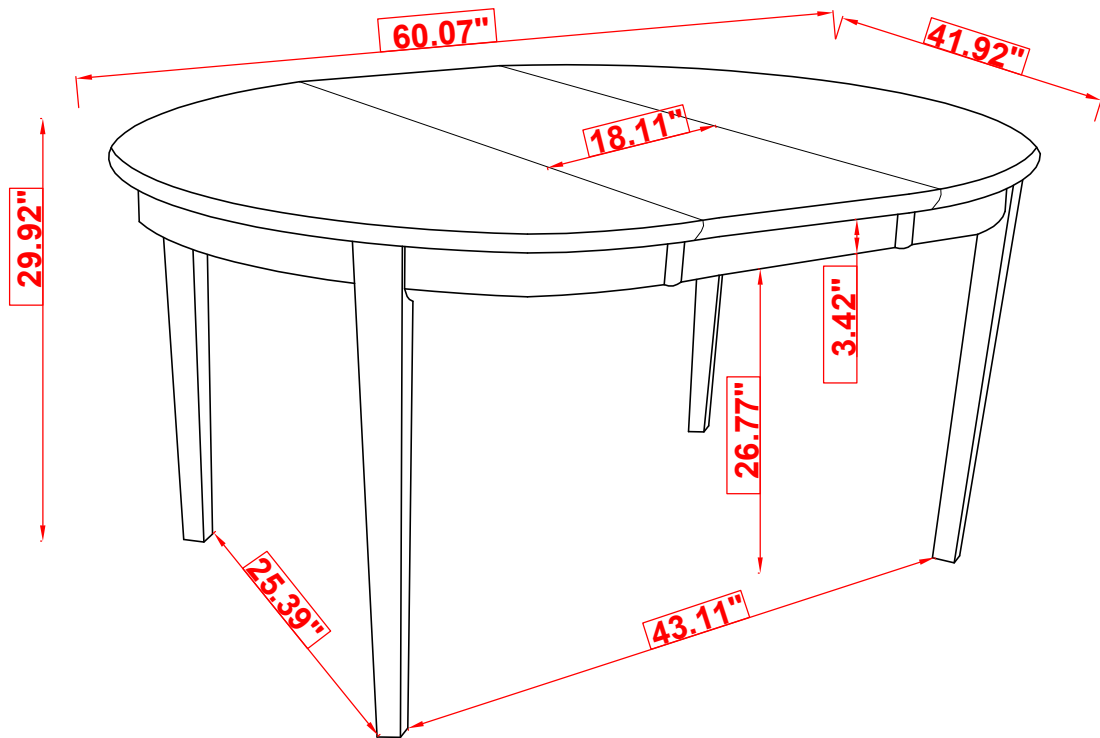
STEP 5



STEP 6
COMPLETE



ITEM: **100770**



Note : Dimension tolerance $\pm 5\%$