



*ASSEMBLY INSTRUCTIONS
COASTER FINE FURNITURE*



Fine Furniture for every stage of life

108811
Dining Table

ITEM: 108811 (B1-B3)



ASSEMBLY INSTRUCTIONS

ASSEMBLY TIPS:

1. Remove hardware from box and sort by size.
2. Please check to see that all hardware and parts are present prior to start of assembly.
3. Please follow attached instructions in the same sequence as numbered to assure fast & easy assembly.



WARNING!

1. Don't attempt to repair or modify parts that are broken or defective. Please contact the store immediately.
2. This product is for home use only and not intended for commercial establishments.



ASSEMBLY TIME

30 MINUTES

PARTS IDENTIFICATION

B1 (BOX 1)

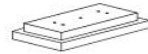
A GLASS TOP



1PCS

B3 (BOX 3)

E BASE



2PCS

B2 (BOX 2)

B TOP FRAME



1PCS

C LEG



2PCS

D CROSSBAR



1PCS

NOTE:

Phillips head screw driver is required in the assembly process; however, manufacturer does not provide this item.

ITEM:108811 (B1-B3)

ASSEMBLY INSTRUCTIONS

ASSEMBLY TIPS:

1. Remove hardware from box and sort by size.
2. Please check to see that all hardware and parts are present prior to start of assembly.
3. Please follow attached instructions in the same sequence as numbered to assure fast & easy assembly.










WARNING!

1. Don't attempt to repair or modify parts that are broken or defective. Please contact the store immediately.
2. This product is for home use only and not intended for commercial establishments.

HARDWARE IDENTIFICATION

Z-B2 (BOX 2) - HARDWARE PACK IS LOCATED IN 107871 (B2)

1	FLAT WASHER D20*2		18PCS
2	SHORT BOLT (M8*70mm)		8PCS
3	ALLEN WRENCH		1PCS
4	SHORT BOLT (M8*40mm)		8PCS
5	GLASS REST		6PCS
6	LEVELER		8PCS
7	SHORT BOLT (M8*140mm)		2PCS

Hardware pack is located in 108811 B2

NOTE:

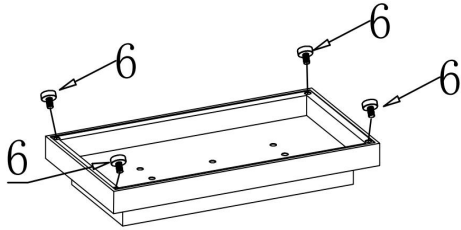
Phillips head screw driver is required in the assembly process; however, manufacturer does not provide this item.

ITEM:108811 (B1-B3)

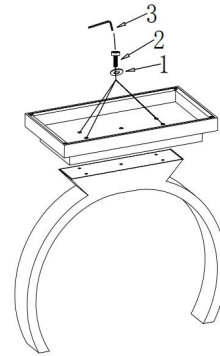
ASSEMBLY INSTRUCTIONS



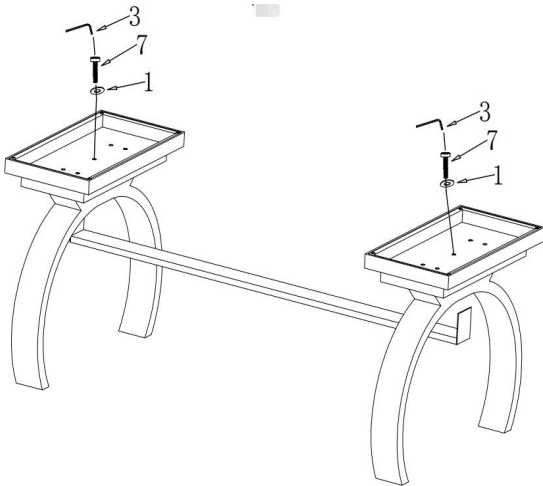
STEP 1



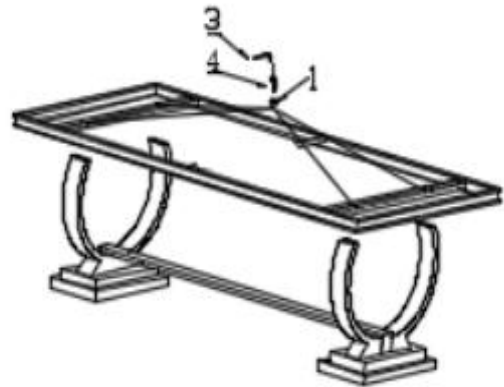
STEP 2



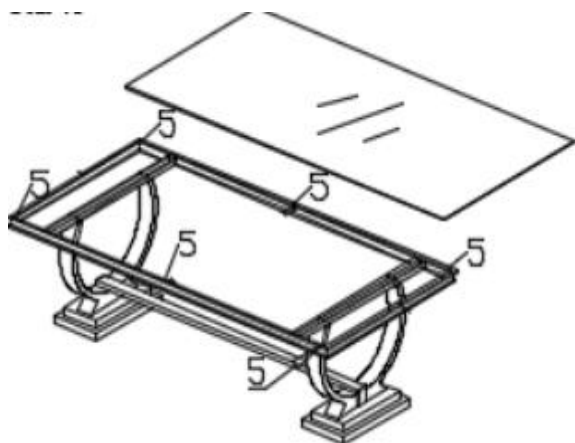
STEP 3



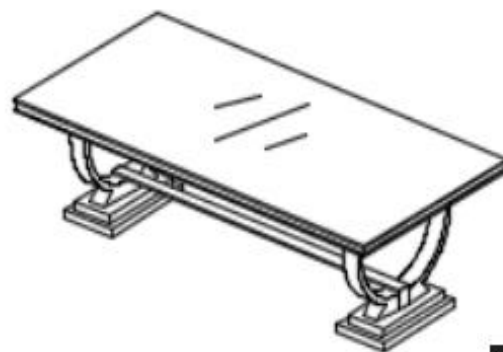
STEP 4



STEP 5



STEP 6



ITEM:108811 (B1-B3)

