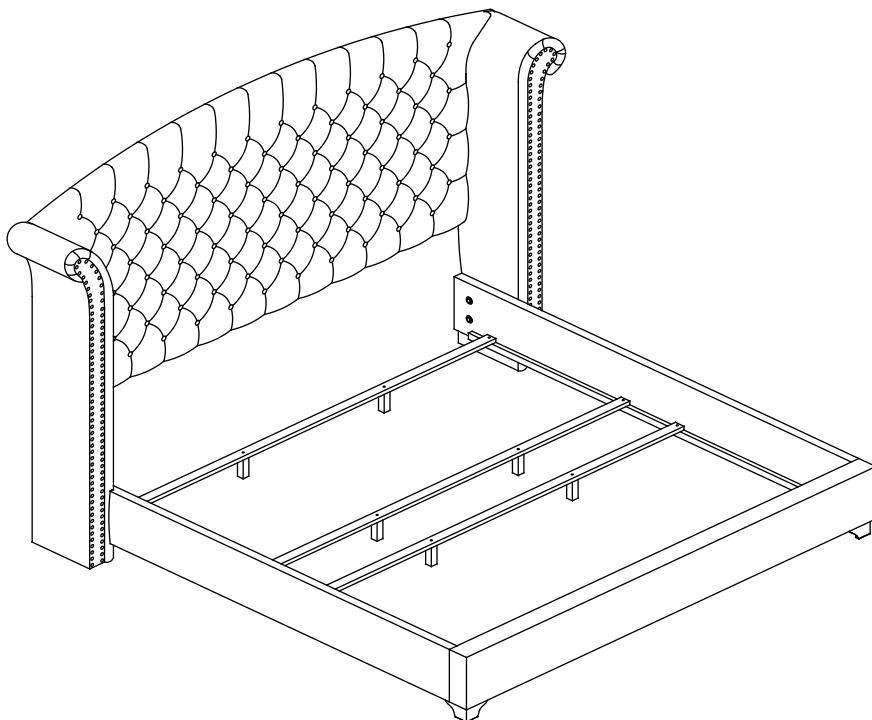


*ASSEMBLY INSTRUCTIONS*  
*COASTER FINE FURNITURE*



*Fine Furniture for every stage of life*

**223381KE (B1-B3)**  
***Eastern King Bed***

# ITEM: 223381KE (B1-B3)



## ASSEMBLY INSTRUCTIONS

### ASSEMBLY TIPS:

1. Remove hardware from box and sort by size.
2. Please check to see that all hardware and parts are present prior to start of assembly.
3. Please follow attached instructions in the same sequence as numbered to assure fast & easy assembly.



### WARNING!

1. Don't attempt to repair or modify parts that are broken or defective. Please contact the store immediately.
2. This product is for home use only and not intended for commercial establishments.



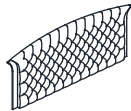
ASSEMBLY TIME

30 MINUTES

## PARTS IDENTIFICATION

### B1 (BOX 1)

A HEADBOARD PANEL



1PC

### B2 (BOX 2)

B BED SLAT



4PCS

C FOOTBOARD PANEL



1PC

D FOOTBOARD LEG



2PCS

E BED SLAT SUPPORT WITH LEVELER



8PCS

F LEFT BED RAIL (WITH "F" LABEL)



1PC

G RIGHT BED RAIL (WITH "G" LABEL)



1PC

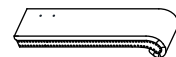
### B3 (BOX 3)

H LEFT WING (WITH "H" LABEL)



1PC

I RIGHT WING (WITH "I" LABEL)



1PC

### NOTE:

Phillips head screw driver is required in the assembly process; however, manufacturer does not provided this item.

# ITEM: 223381KE (B1-B3)



## ASSEMBLY INSTRUCTIONS

### ASSEMBLY TIPS:

1. Remove hardware from box and sort by size.
2. Please check to see that all hardware and parts are present prior to start of assembly.
3. Please follow attached instructions in the same sequence as numbered to assure fast & easy assembly.



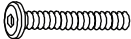



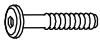
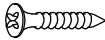






### WARNING!

1. Don't attempt to repair or modify parts that are broken or defective. Please contact the store immediately.
2. This product is for home use only and not intended for commercial establishments.

## HARDWARE IDENTIFICATION

### Z-B2 (BOX 2) - HARDWARE PACK IS LOCATED IN 223381KE (B2)

1	<b>BOLT 1</b> (M8 x 20MM - RBW)		4PCS	7	<b>SMALL FLAT WASHER</b> (1/4" x 19 Ø - RBW)		6PCS
2	<b>BOLT 2</b> (M8 x 60MM - RBW)		4PCS	8	<b>BIG LOCK WASHER</b> (5/16" x 14 Ø - RBW)		4PCS
3	<b>BOLT 3</b> (M6 x 16MM - RBW)		6PCS	9	<b>BIG FLAT WASHER</b> (5/16" x 22 Ø - RBW)		4PCS
4	<b>BOLT 4</b> (M6 x 35MM - RBW)		14PCS	10	<b>FLAT HEAD SCREW</b> (M4 x 32MM - RBW)		8PCS
5	<b>WOOD DOWEL</b> (M10Ø x 30MM)		4PCS	11	<b>SMALL ALLEN WRENCH</b> (M4 x 100MM - BLK)		1PC
6	<b>SMALL LOCK WASHER</b> (1/4" x 12 Ø - RBW)		6PCS	12	<b>BIG ALLEN WRENCH</b> (M5 x 65MM - BLK)		1PC

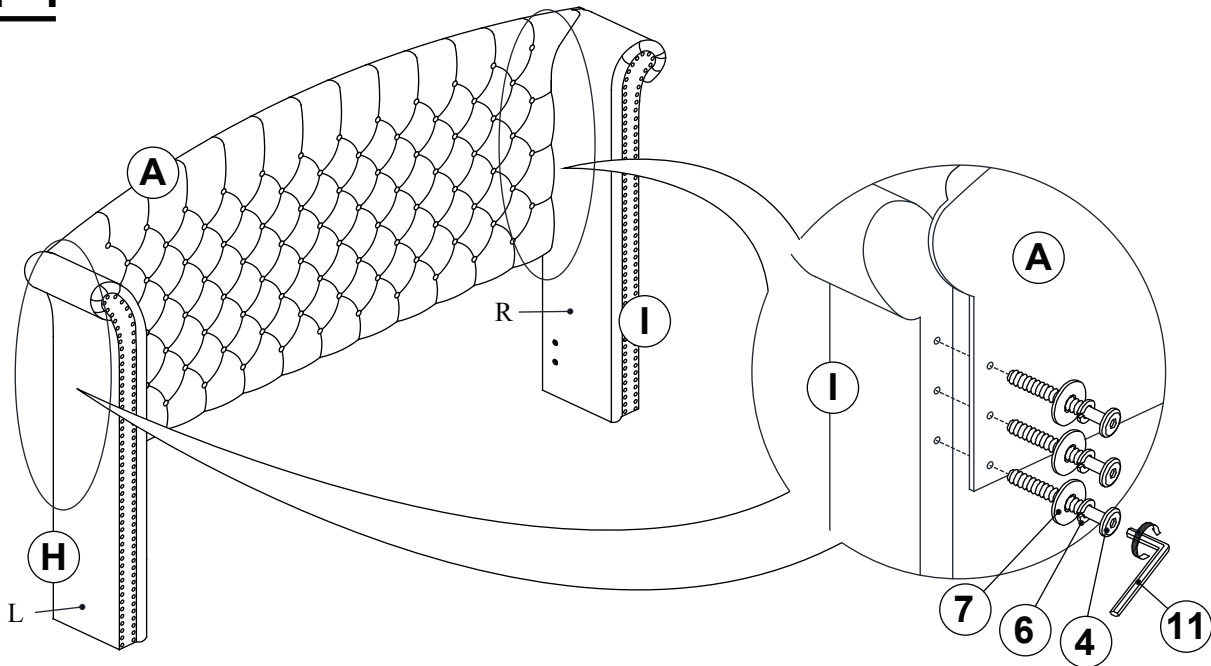
### NOTE:

Phillips head screw driver is required in the assembly process; however, manufacturer does not provided this item.

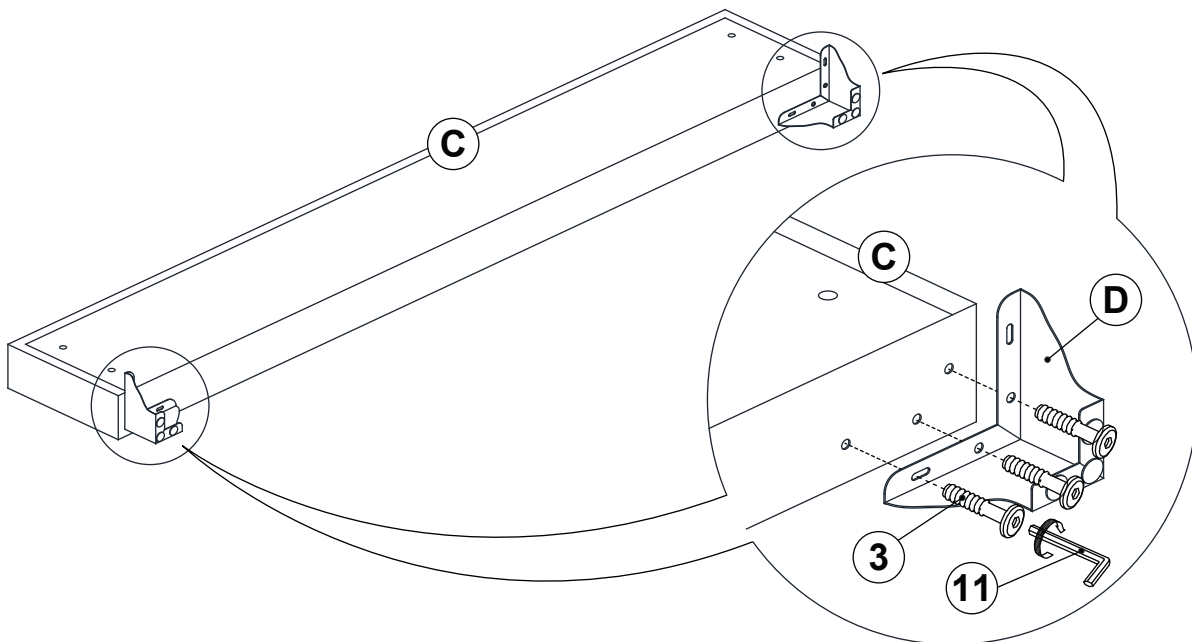
ITEM: **22381KE (B1-B3)**

**ASSEMBLY INSTRUCTIONS**

**STEP 1**



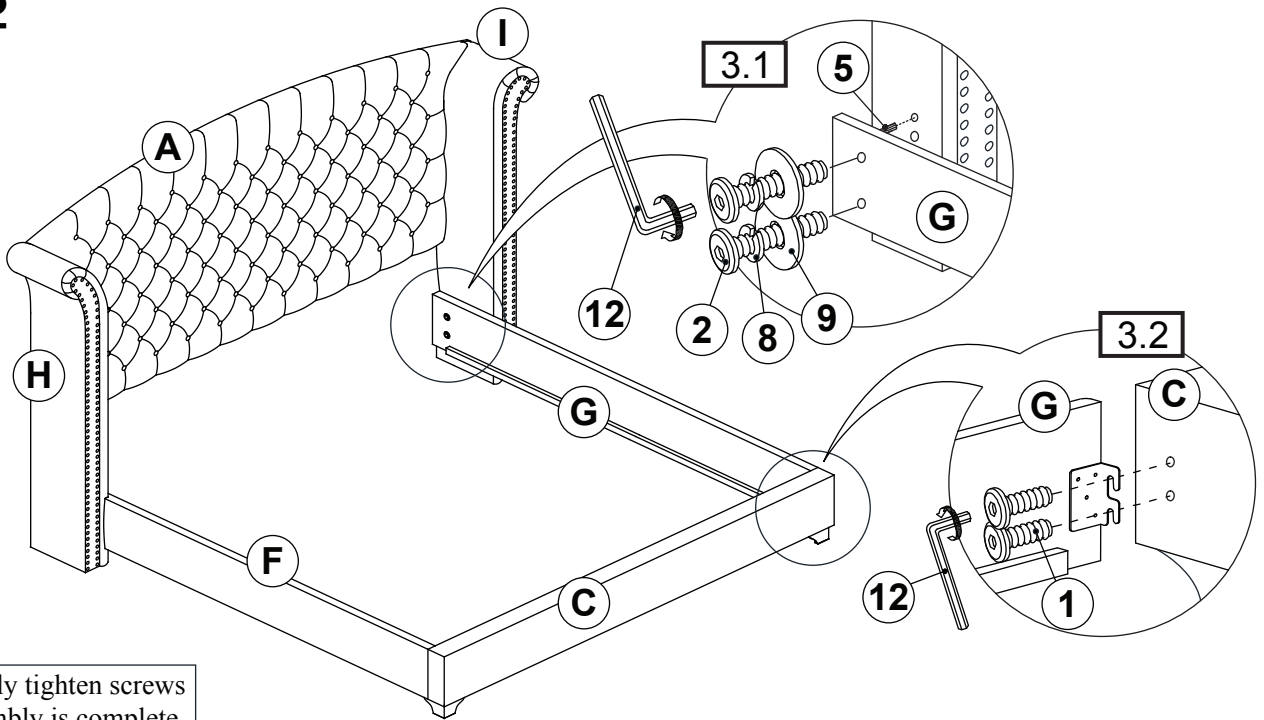
**STEP 2**



# ITEM: 22381KE (B1-B3)

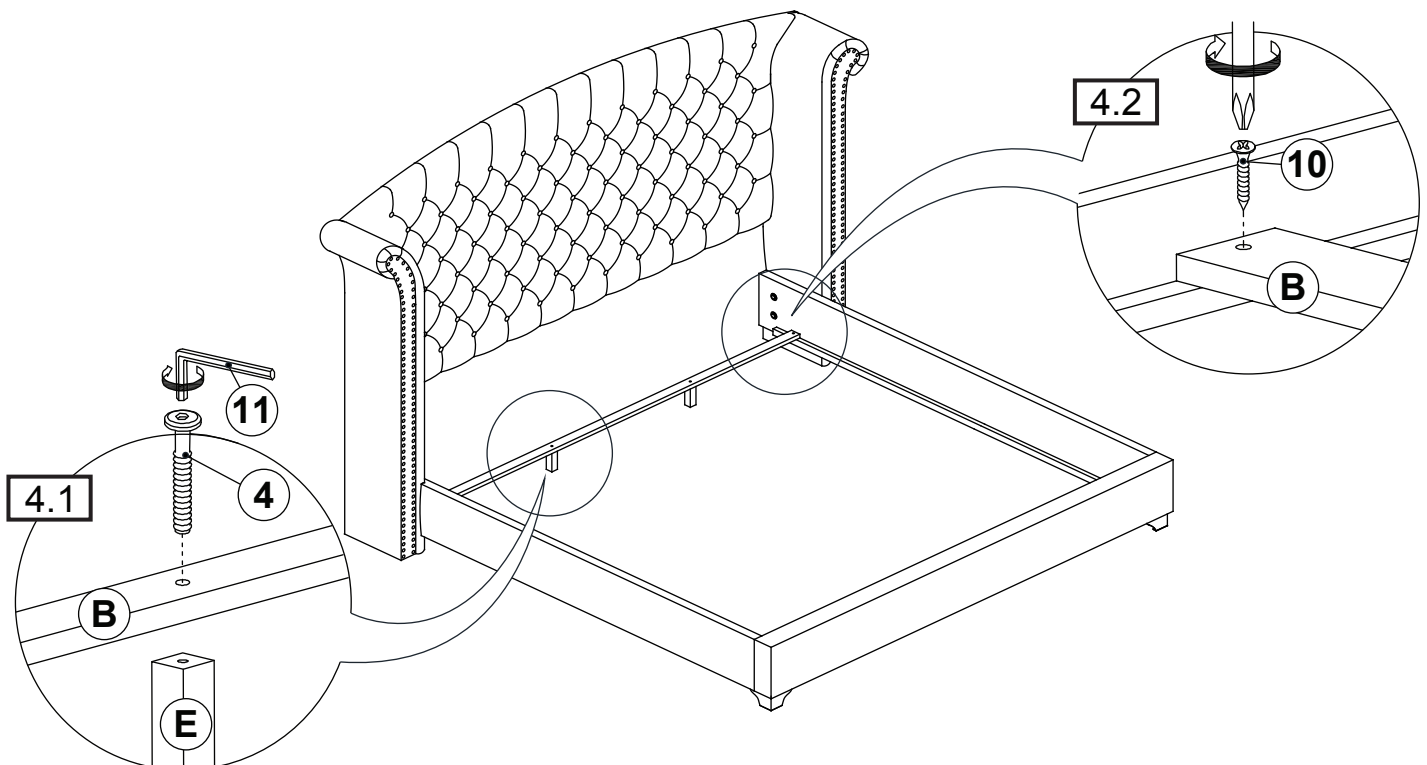
## ASSEMBLY INSTRUCTIONS

### STEP 3



Do not fully tighten screws until assembly is complete and the bed is level.

### STEP 4



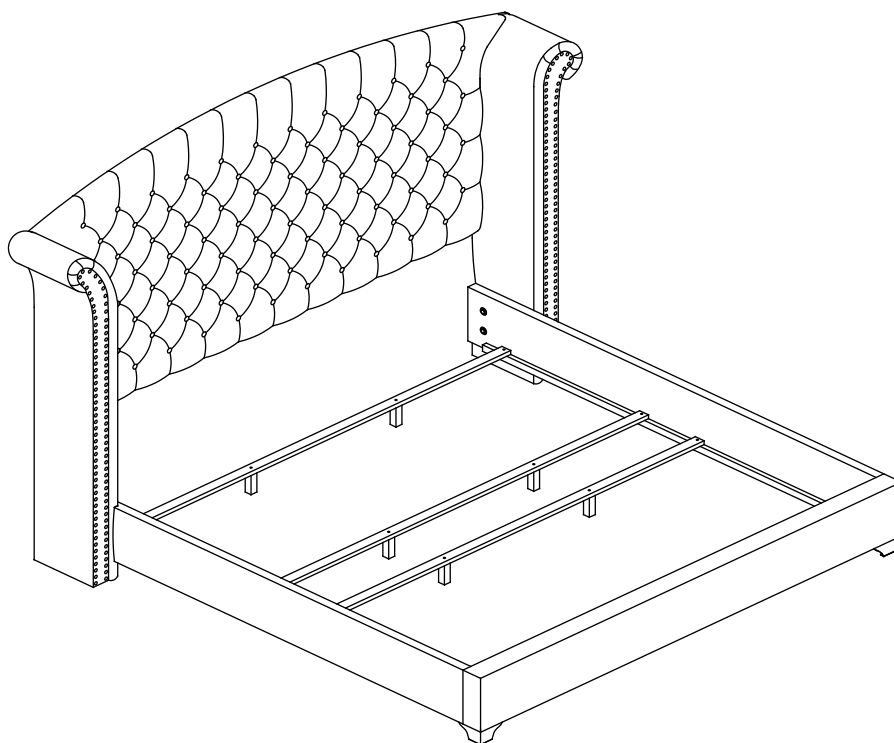
ITEM: **223381KE (B1-B3)**



**ASSEMBLY INSTRUCTIONS**

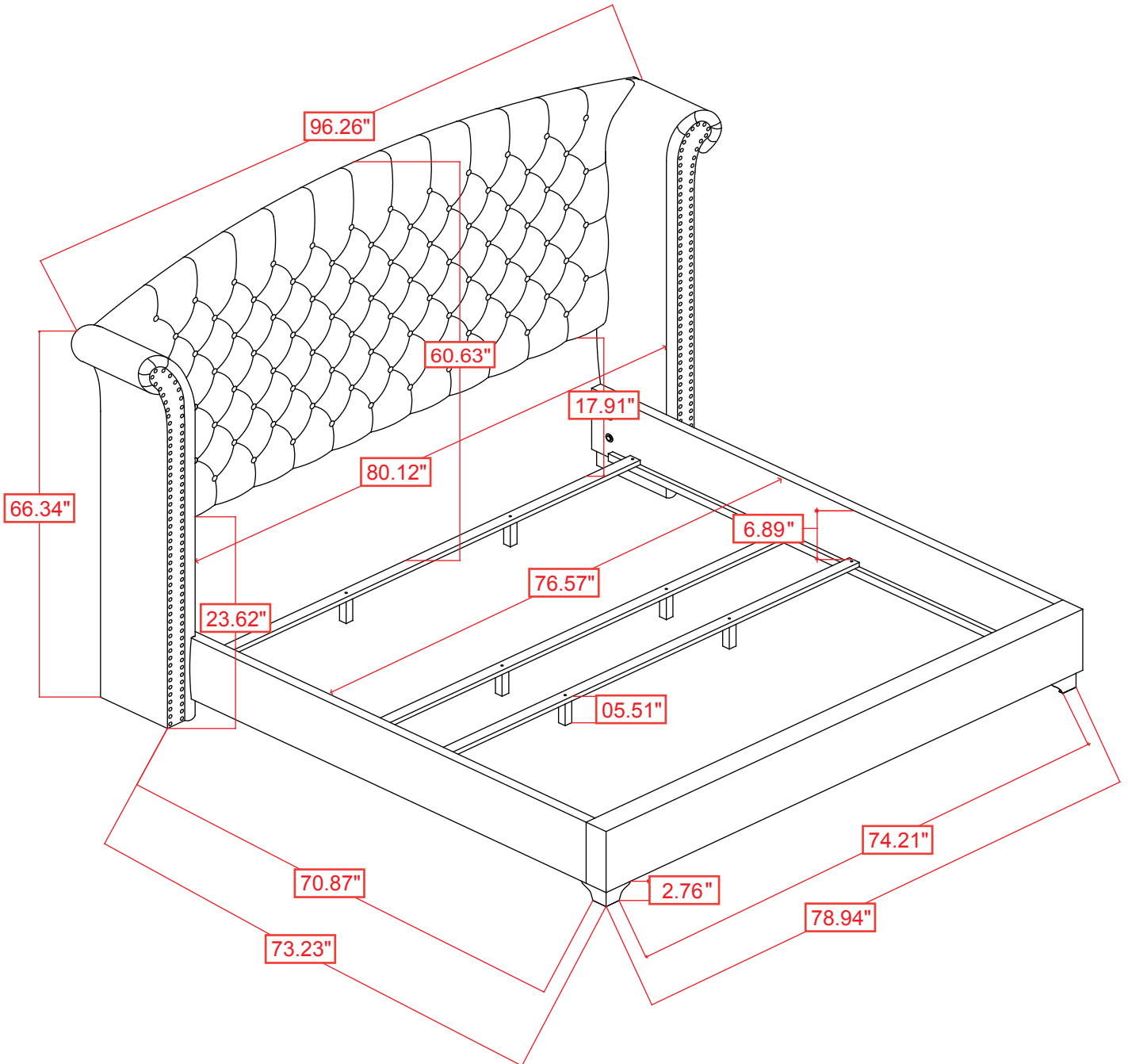
**STEP 5**

**COMPLETE**



ITEM: **223381KE (B1-B3)**

INNER SIZE : 76.57" X 81.10"



Note : Dimension tolerance  $\pm 5\%$