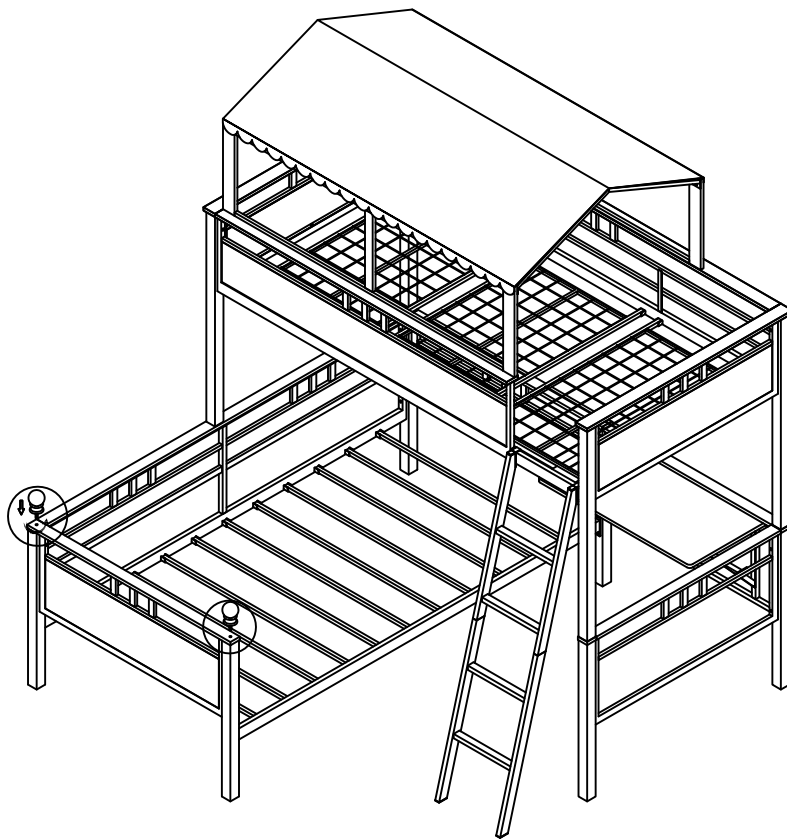


**ASSEMBLY INSTRUCTIONS**  
**COASTER FINE FURNITURE**



*Fine Furniture for every stage of life*

**400119 (B1-B2)**  
***Twin Twin Workstation***  
***Bunk Bed***

# ITEM:400119 (B1-B2)



## ASSEMBLY INSTRUCTIONS

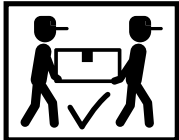
### ASSEMBLY TIPS:

1. Remove hardware from box and sort by size.
2. Please check to see that all hardware and parts are present prior to start of assembly.
3. Please follow attached instructions in the same sequence as numbered to assure fast & easy assembly.



### WARNING !


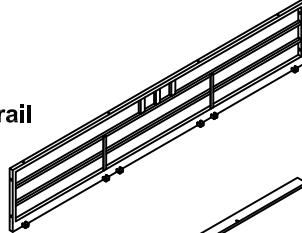

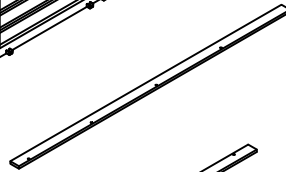

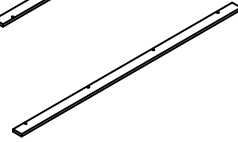

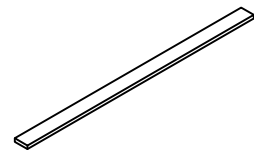
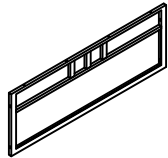
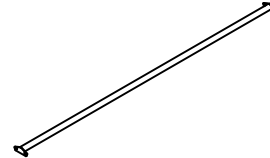
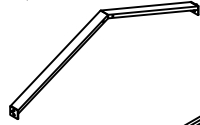
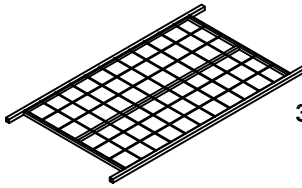
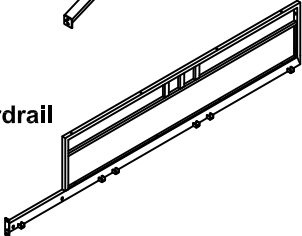
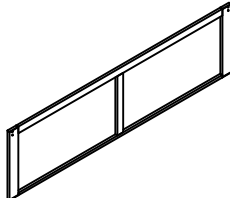
1. Don't attempt to repair or modify parts that are broken or defective. Please contact the store immediately.
2. This product is for home use only and not intended for commercial establishment.



**ASSEMBLY TIME 90 MINUTE**

## PARTS IDENTIFICATION

### B1 (BOX 1)

A Upper Left Front Post		1PC	H Upper Back Guardrail		1PC
B Upper Left Back Post		1PC	I Upper Back Tube		1PC
C Upper Right Front Post		1PC	J Upper Front Tube		1PC
D Upper Right Back Post		1PC	K Upper Side Tube		2PCS
E Upper Side Panel		2PCS	L Top Cross Bar		1PC
F Top Side Panel		2PCS	M Base Frame		3PCS
G Upper Front Guardrail		1PC	N Top Panel		2PCS

### NOTE:

Phillips head screw driver is required in the assembly process; however, manufacturer does not provide this item.

# ITEM:400119 (B1-B2)



## PARTS IDENTIFICATION

O Upper Ladder		1PC	R Top Tent		1PC
P Lower Ladder		1PC	U1 Plastic End Cap (45x45mm)		3PCS
Q Connector Tube		3PCS	V1 Ladder Cap (20x40mm)		2PCS
			A2 Hole Cap (9x14mm)		1PC

### B2 (BOX 2)

S Lower Middle Front Post		1PC	C1 Lower End Panel		2PCS
T Lower Left Front Post		1PC	D1 Lower Right Side Panel		1PC
U Lower Middle Back Post		1PC	E1 Lower Back Panel		1PC
V Lower Left Back Post		1PC	F1 Lower Left Side Panel		1PC
A1 Lower Right Back Post		1PC	G1 Lower Side Rail		1PC
B1 Lower Right Front Post		1PC	H1 Lower Right Side Tube		1PC

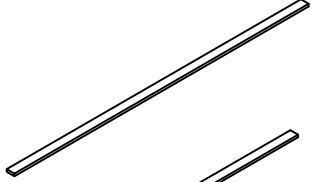
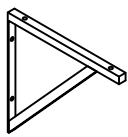
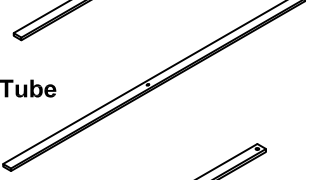
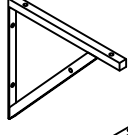

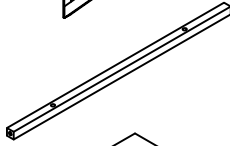
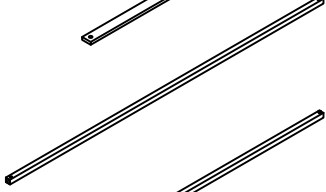
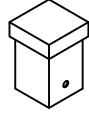
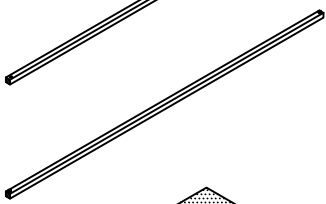
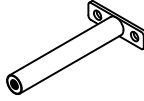
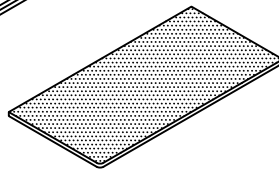
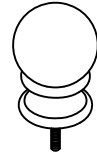
**NOTE:**

Phillips head screw driver is required in the assembly process; however, manufacturer does not provide this item.










# ITEM: 400119 (B1-B2)



## PARTS IDENTIFICATION

I1 Lower Back Tube		1PC	P1 Left Support Frame		1PC
J1 Lower Left Side Tube		1PC	Q1 Right Support Frame		1PC
K1 Lower Front Tube		1PC	O1 Desk Cross Bar		1PC
L1 Slat 1		1PC	R1 Metal Cap		3PCS
M1 Slat 2		10PCS	S1 Lower Cross Bar		1PC
N1 Desk		1PC	T1 Finial		2pcs

## HARDWARE IDENTIFICATION

1	<b>BOLT</b> (5/16"x1-1/4")		2PCS	6	<b>WASHER</b> (ø16mm - BLK)		75PCS
2	<b>BOLT</b> (1/4"x5/8")		41PCS	7	<b>WASHER</b> (ø18mm - BLK)		2PCS
3	<b>BOLT</b> (1/4"x1")		30PCS	8	<b>ALLEN KEY</b> (4x22x60mm)		1PC
4	<b>BOLT</b> (1/4"x1-1/4")		34PCS	9	<b>ALLEN KEY</b> (5x22x60mm)		1PC
5	<b>BOLT</b> (1/4"x1 3/4")		24PCS				

**NOTE:**

Phillips head screw driver is required in the assembly process; however, manufacturer does not provide this item.

# ITEM: 400119 (B1-B2)

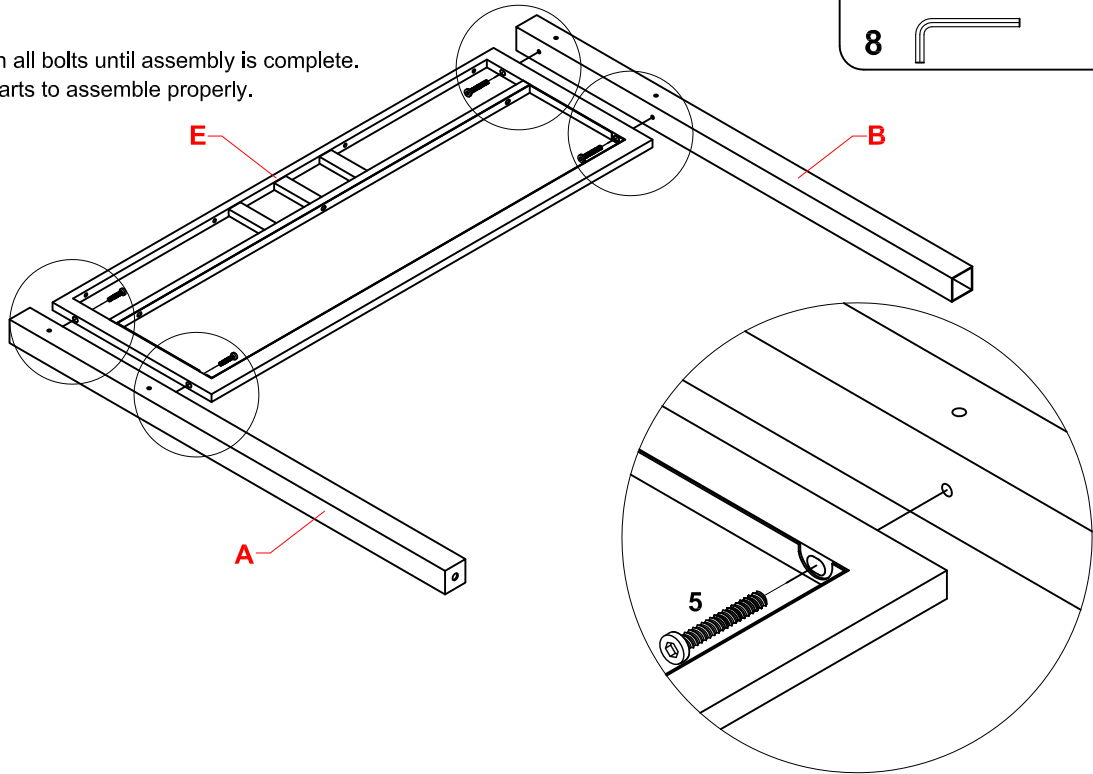
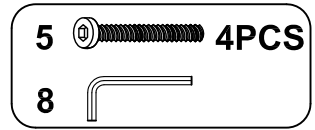


## ASSEMBLY INSTRUCTIONS

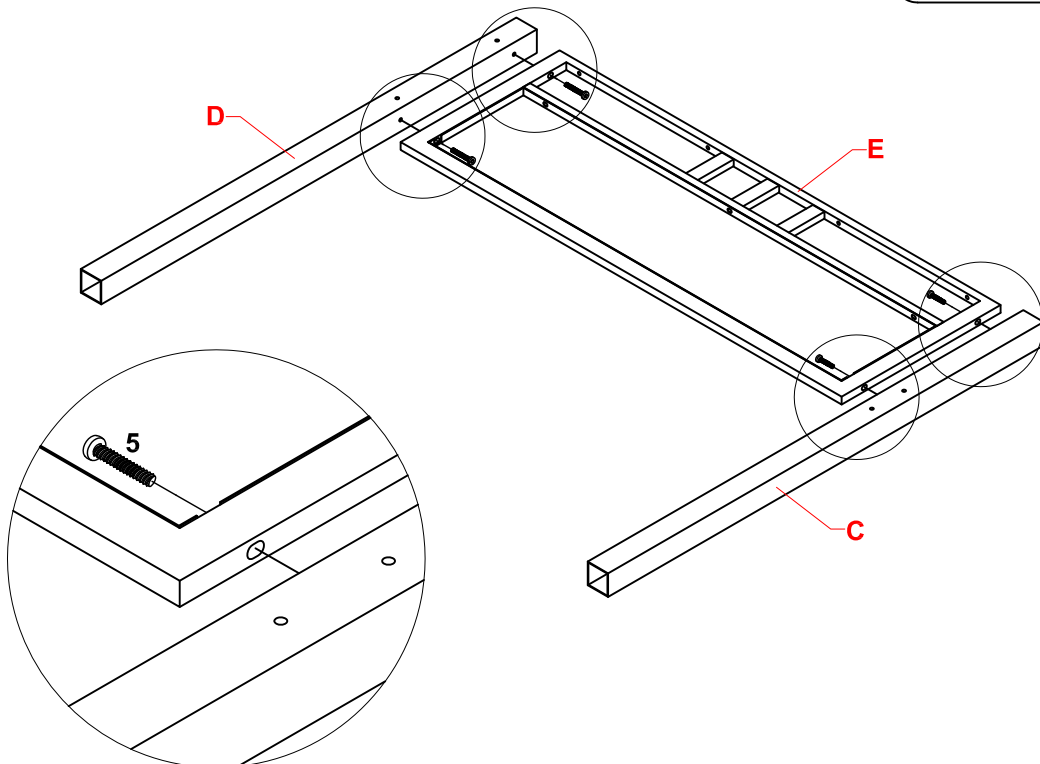
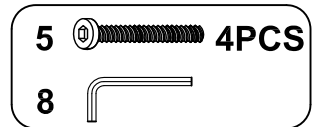
### STEP 1:

#### ASSEMBLY

Do not fully tighten all bolts until assembly is complete.  
This will help all parts to assemble properly.



### STEP 2:



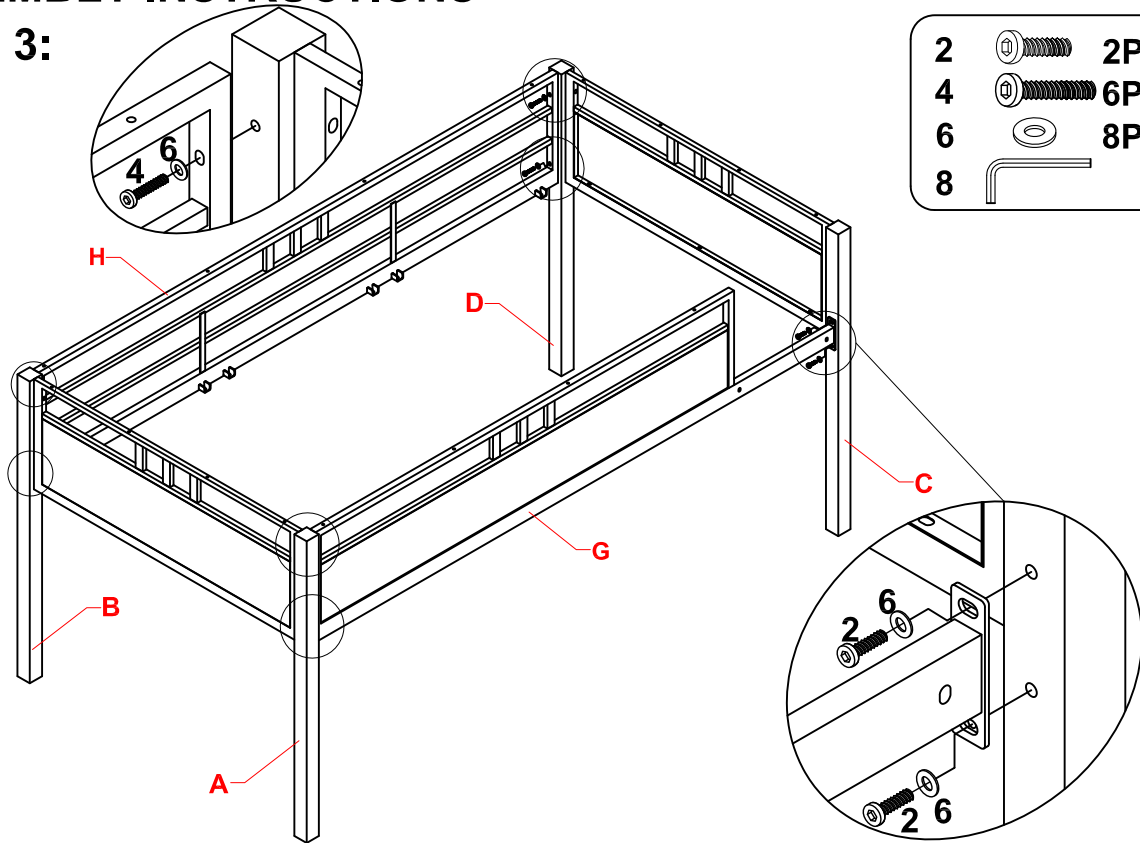
# ITEM: 400119 (B1-B2)

## ASSEMBLY INSTRUCTIONS

### STEP 3:

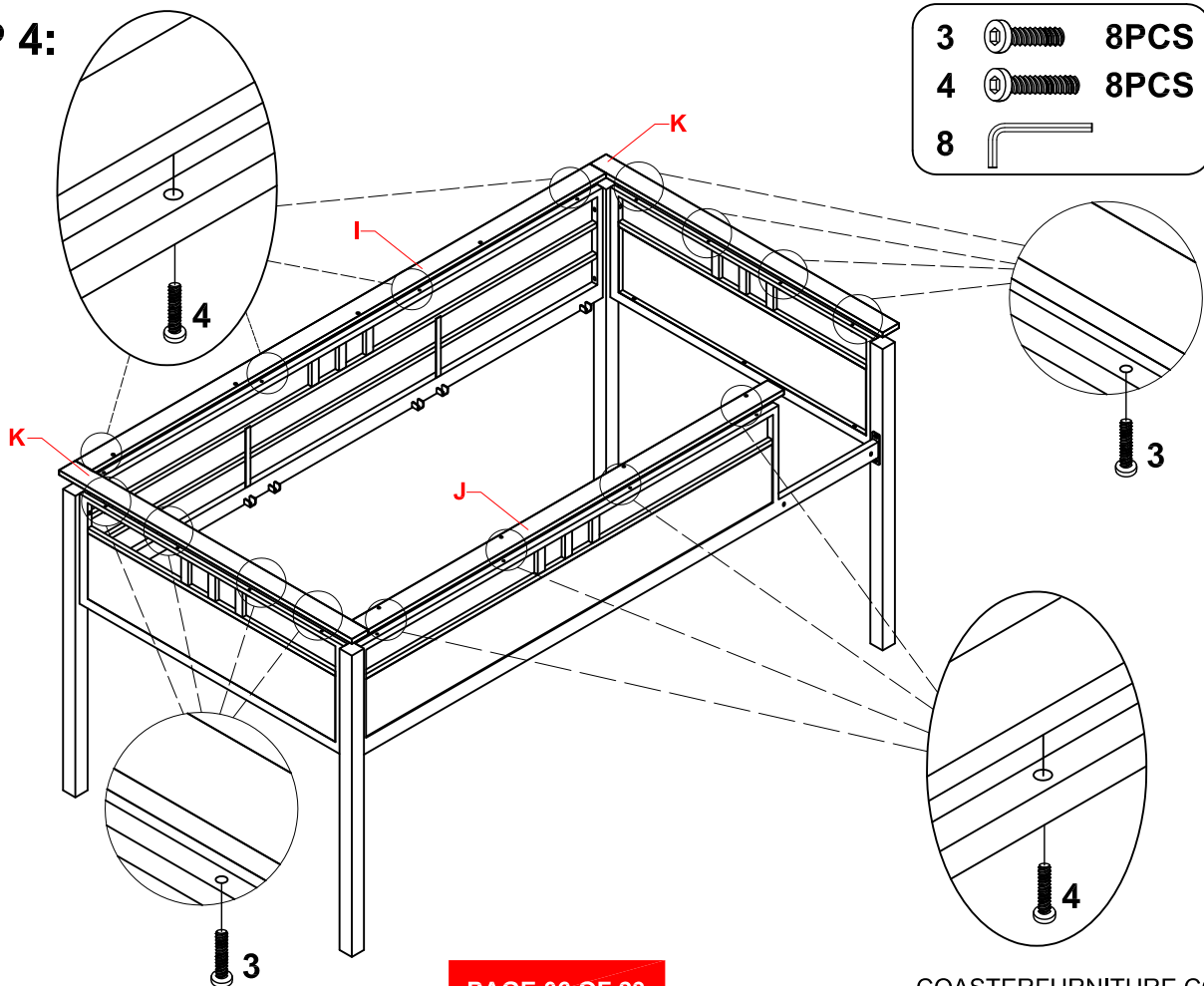


2		2PCS
4		6PCS
6		8PCS
8		



### STEP 4:

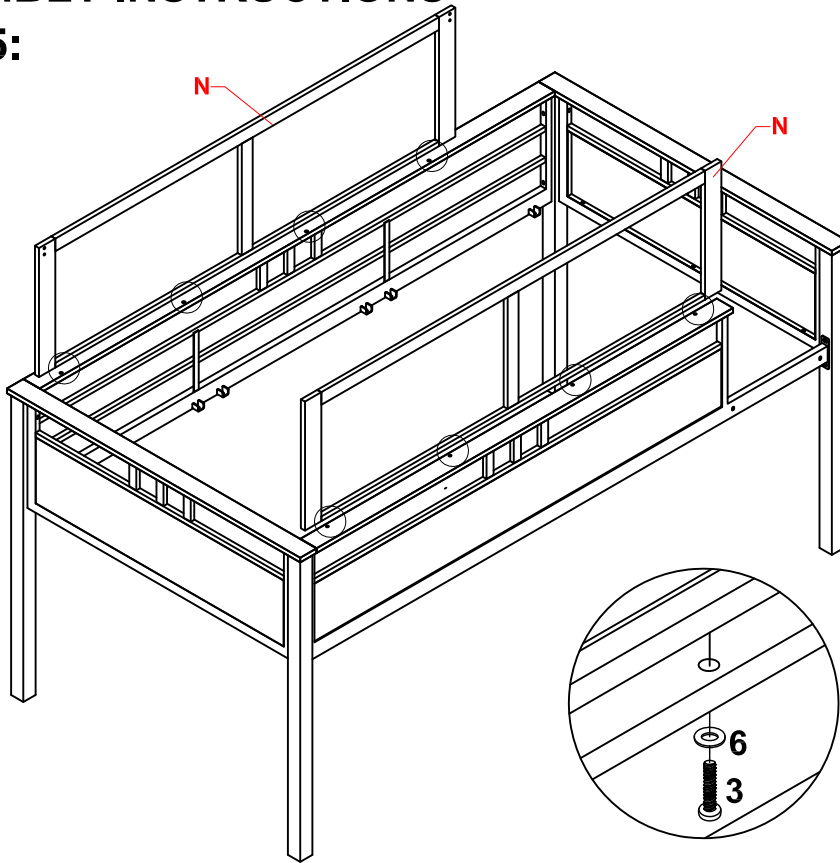
3		8PCS
4		8PCS
8		



# ITEM: 400119 (B1-B2)

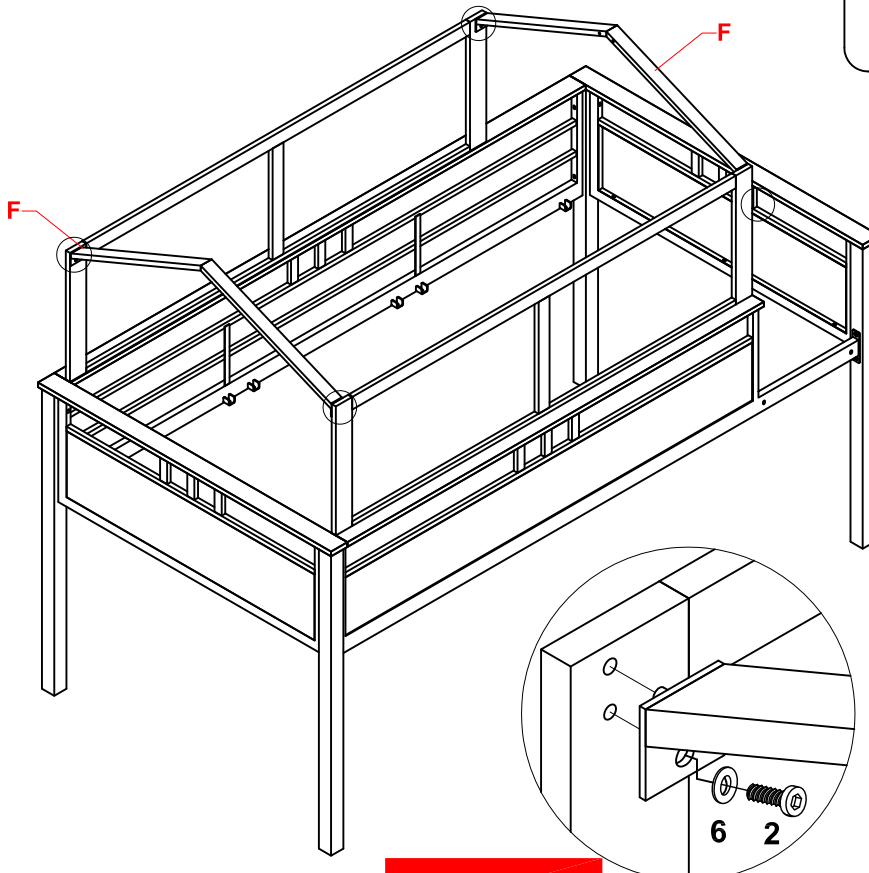
## ASSEMBLY INSTRUCTIONS

### STEP 5:



3		8PCS
6		8PCS
8		

### STEP 6:



2		4PCS
6		4PCS
8		

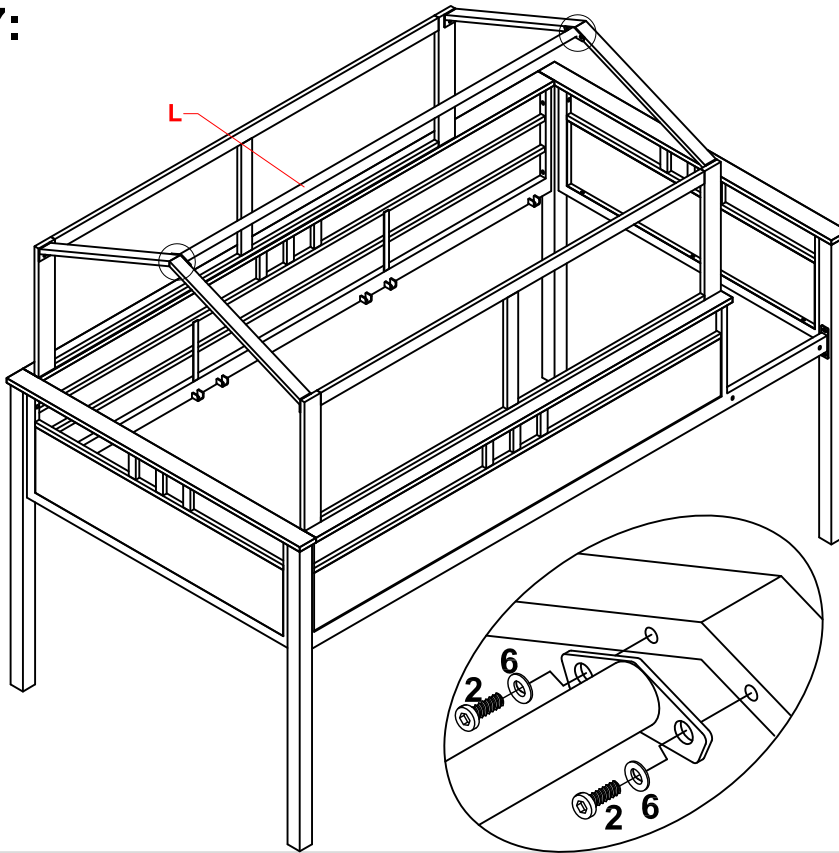
ITEM: **400119 (B1-B2)**

**ASSEMBLY INSTRUCTIONS**

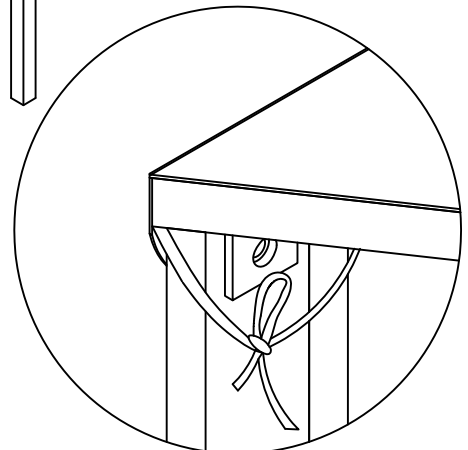
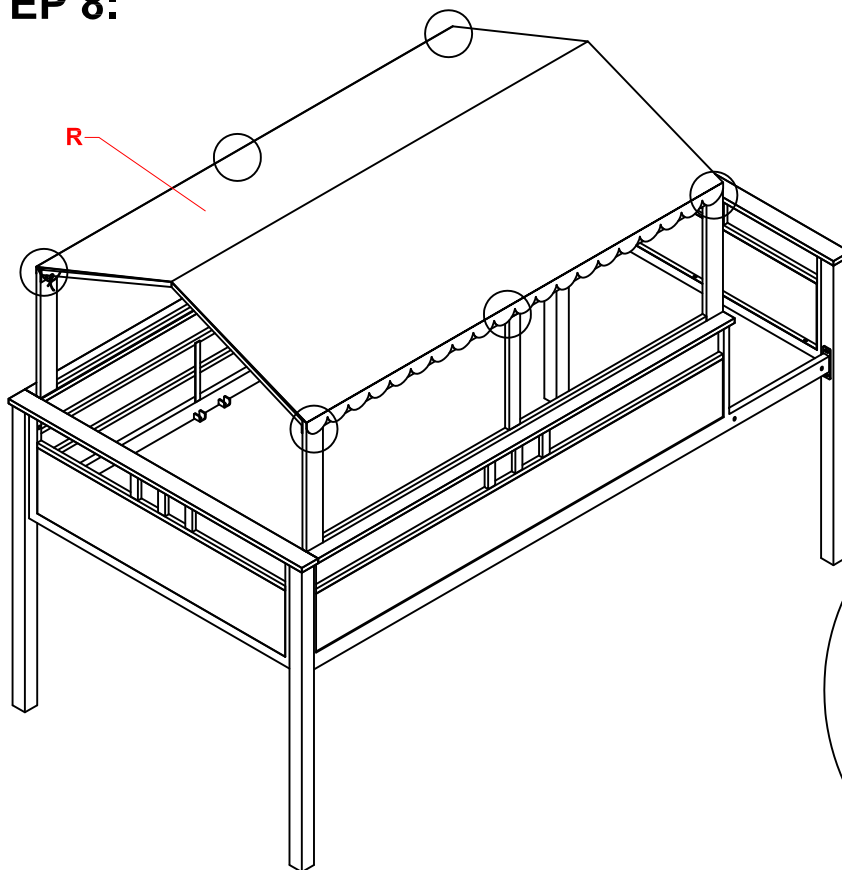
**STEP 7:**



2		4PCS
6		4PCS
8		



**STEP 8:**





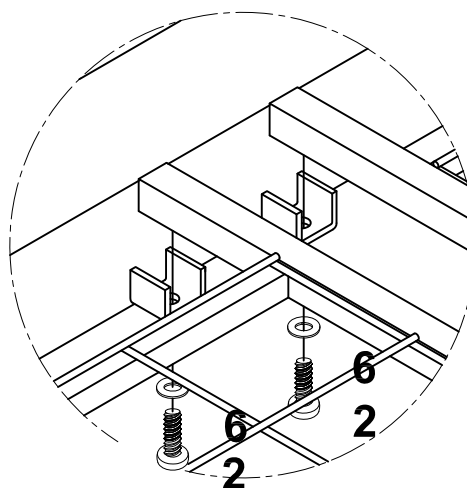
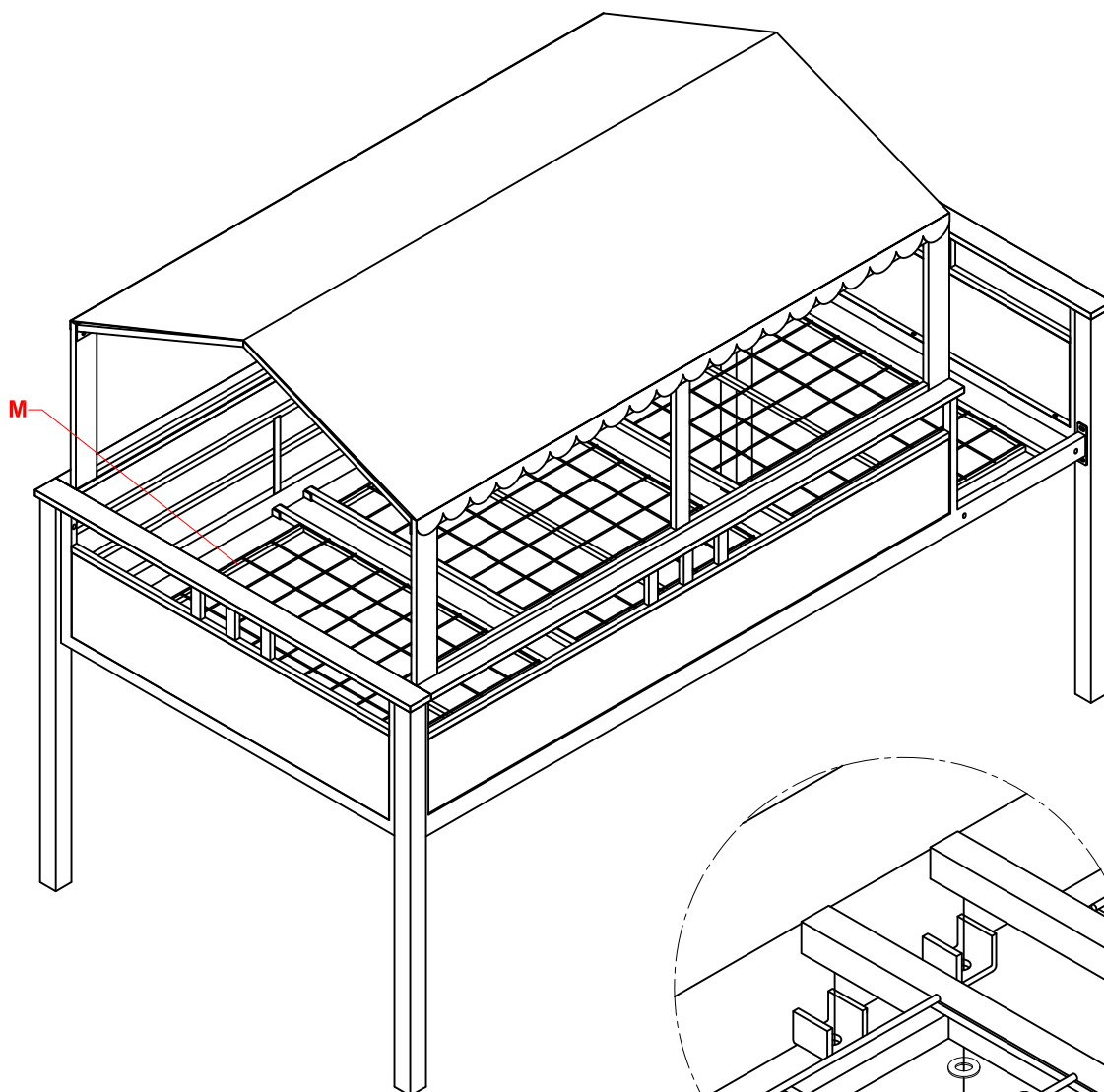
ITEM: **400119 (B1-B2)**

**ASSEMBLY INSTRUCTIONS**

**STEP 9:**



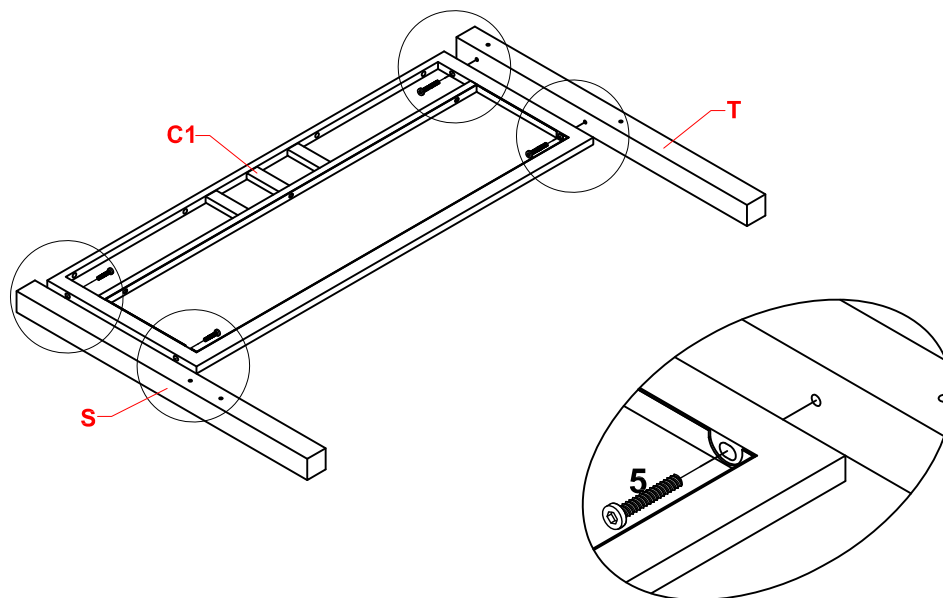
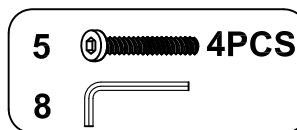
2		12PCS
6		12PCS
8		



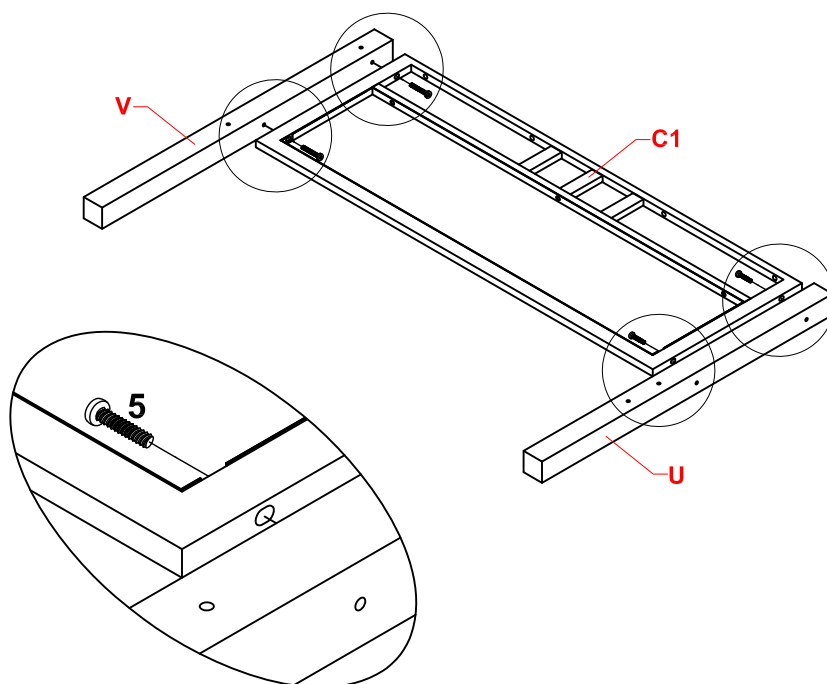
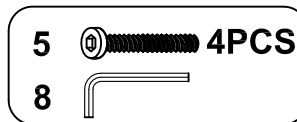
# ITEM: 400119 (B1-B2)

## ASSEMBLY INSTRUCTIONS

### STEP 10:



### STEP 11:



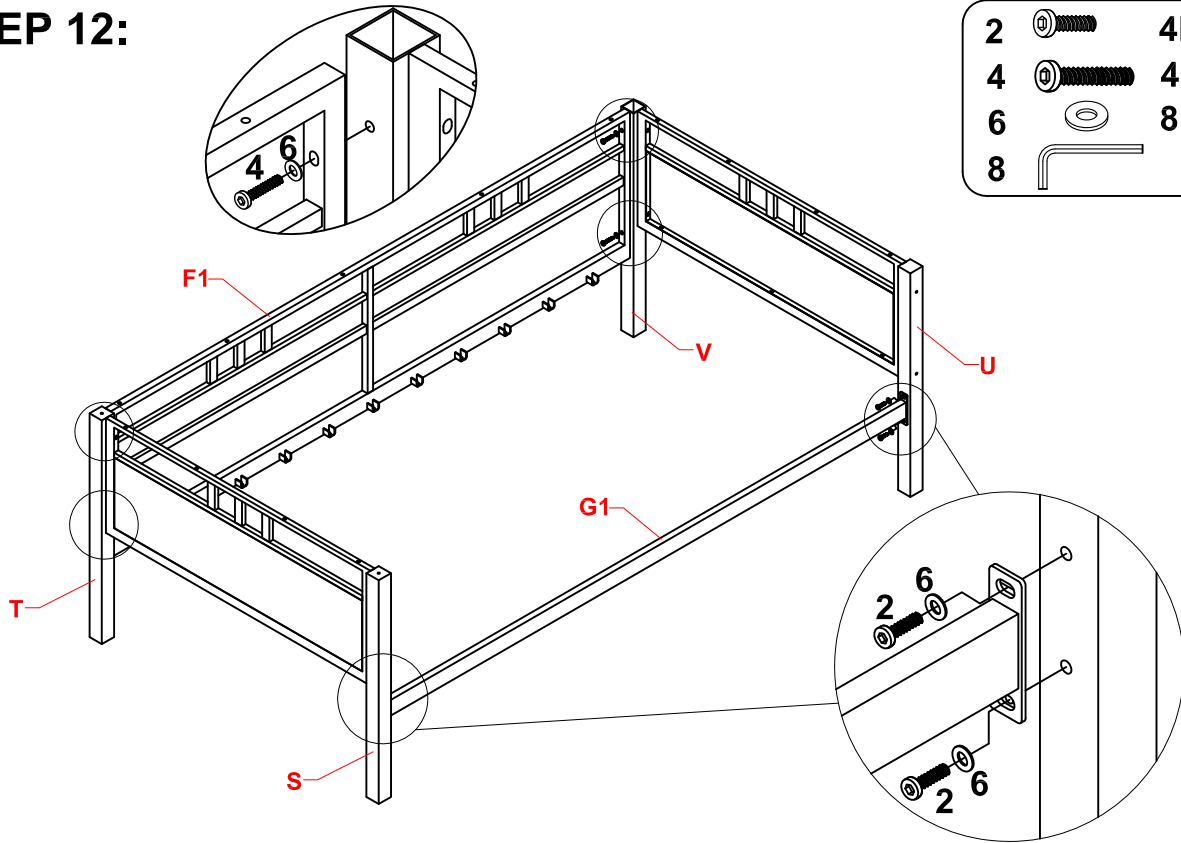
# ITEM: 400119 (B1-B2)

## ASSEMBLY INSTRUCTIONS

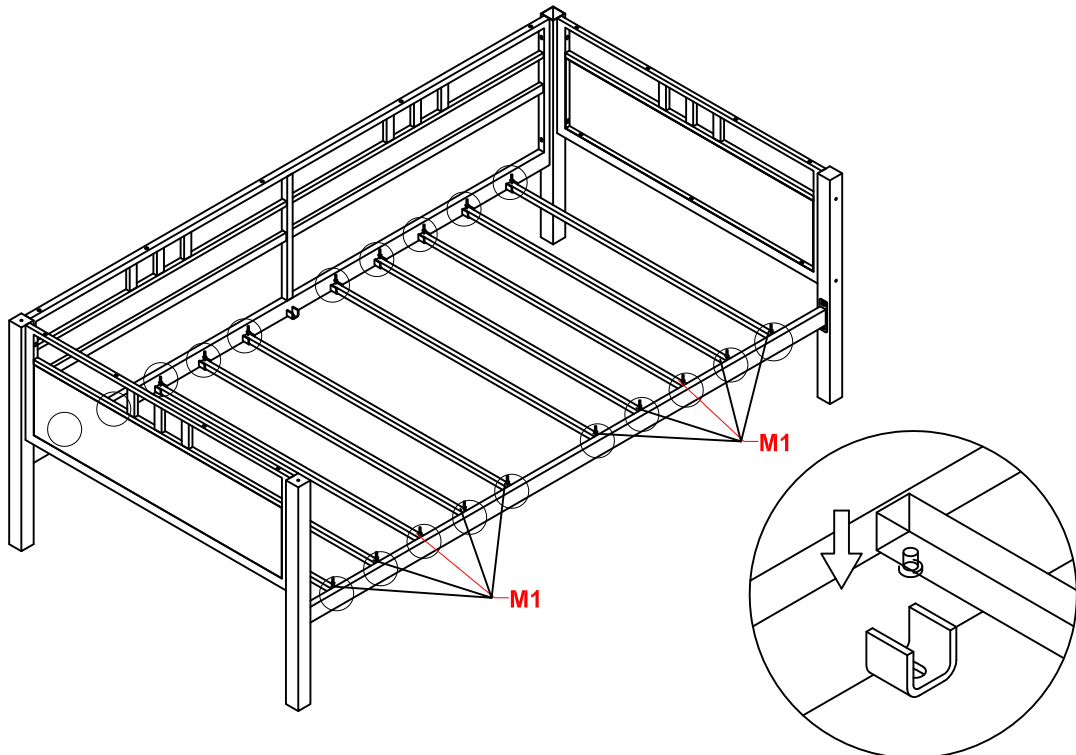
### STEP 12:



2		4PCS
4		4PCS
6		8PCS
8		



### STEP 13:



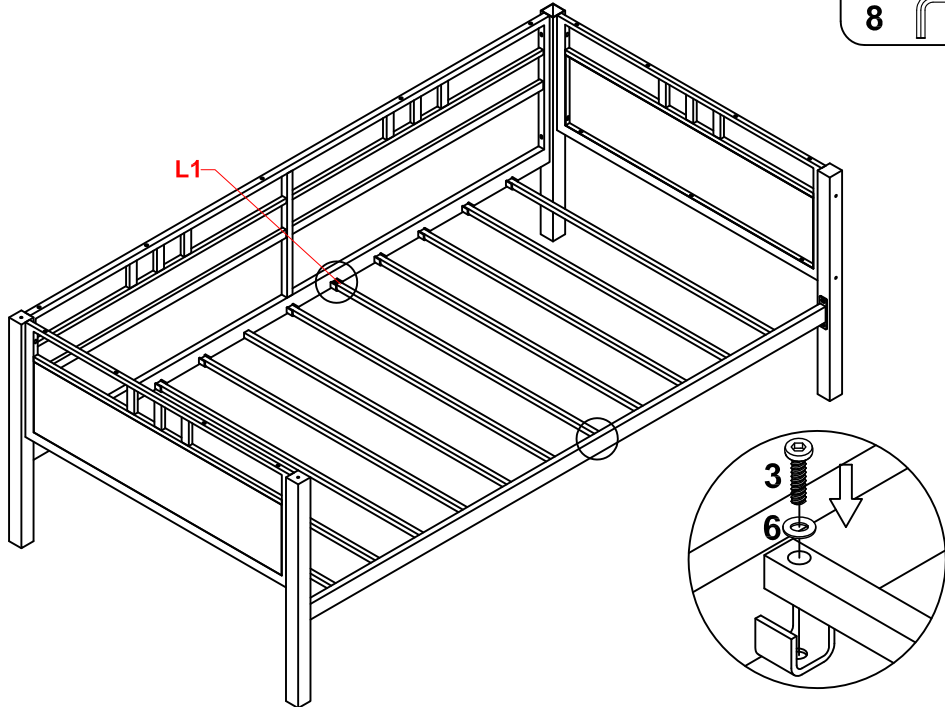
# ITEM: 400119 (B1-B2)

## ASSEMBLY INSTRUCTIONS

### STEP 14:

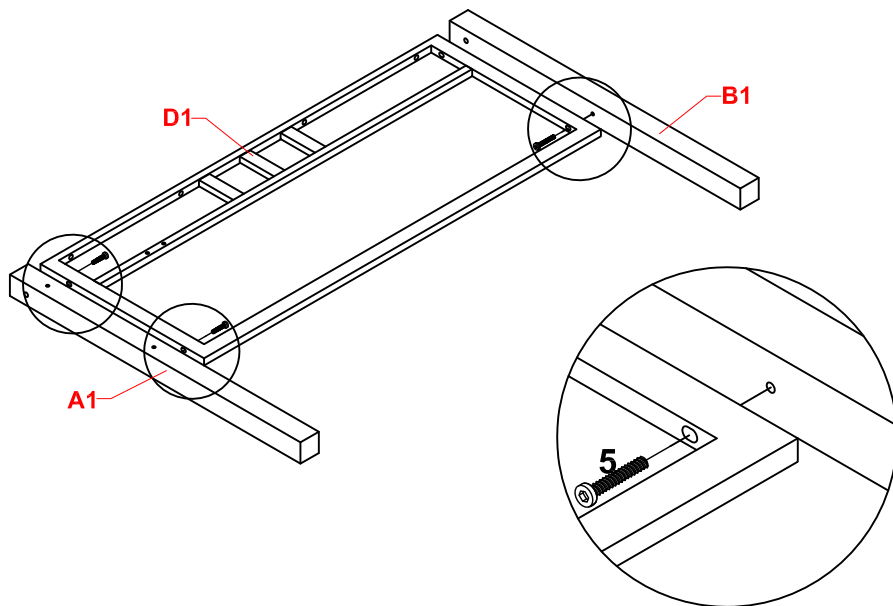


3		2PCS
6		2PCS
8		



### STEP 15:

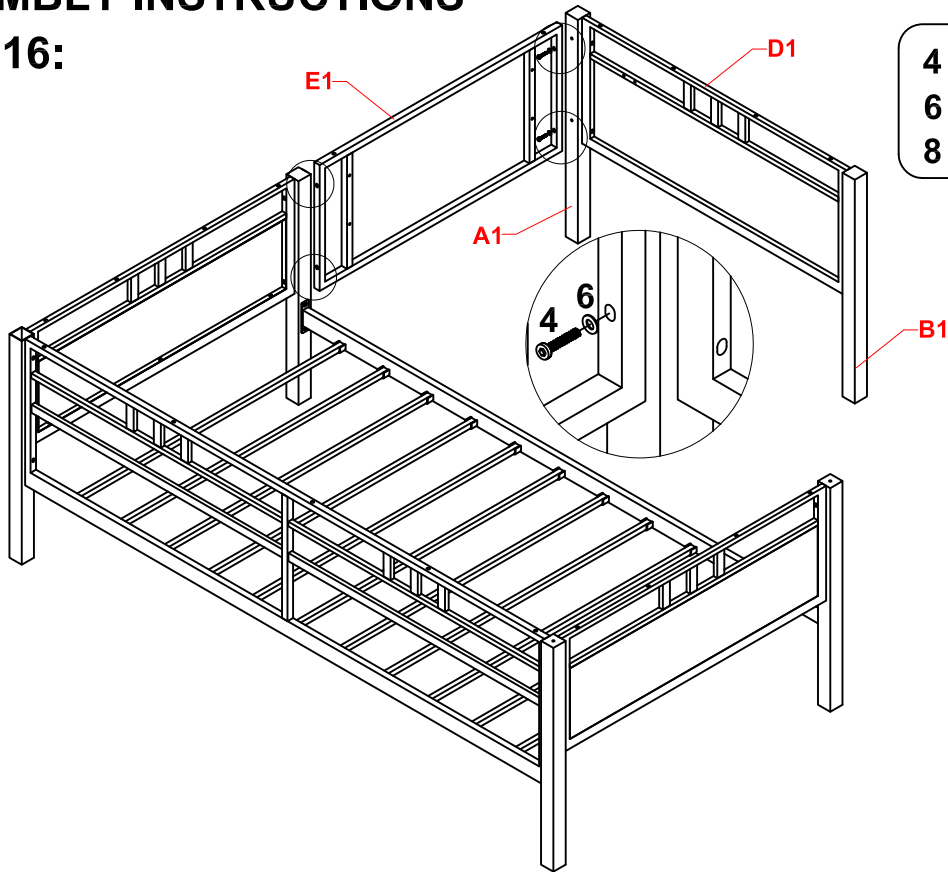
5		3PCS
8		



# ITEM: 400119 (B1-B2)

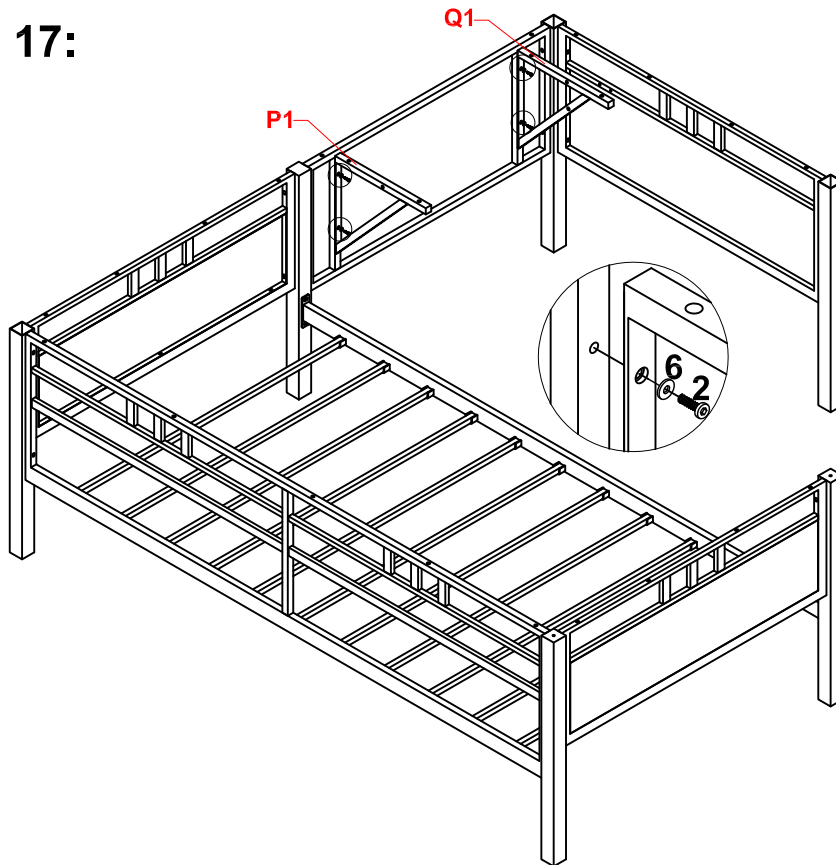
## ASSEMBLY INSTRUCTIONS

### STEP 16:



4		4PCS
6		4PCS
8		

### STEP 17:

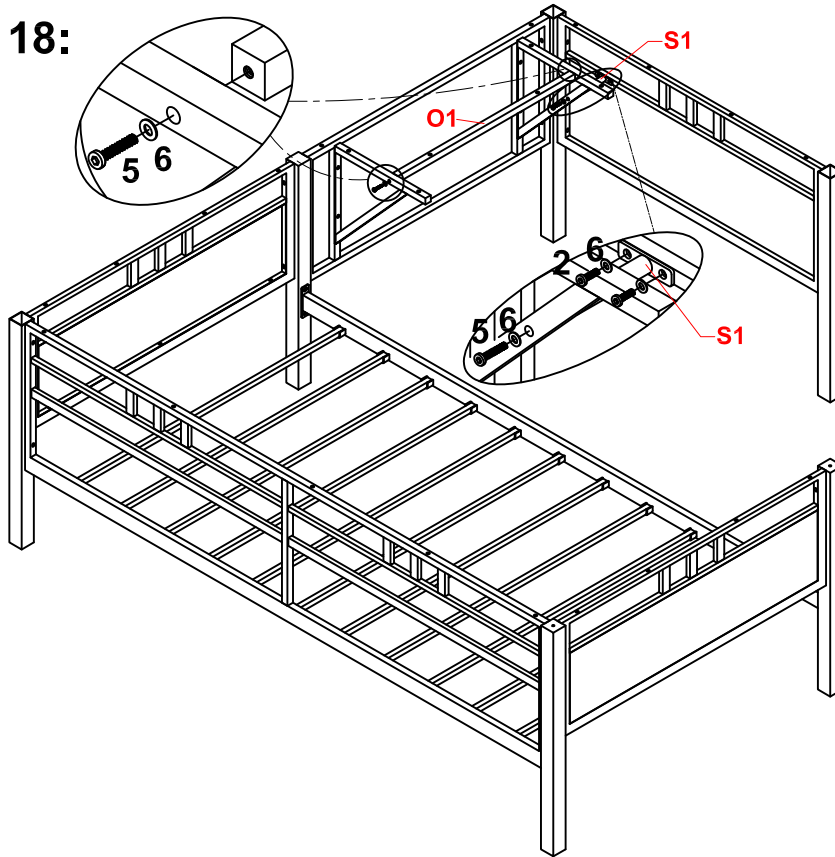


2		4PCS
6		4PCS
8		

# ITEM: 400119 (B1-B2)

## ASSEMBLY INSTRUCTIONS

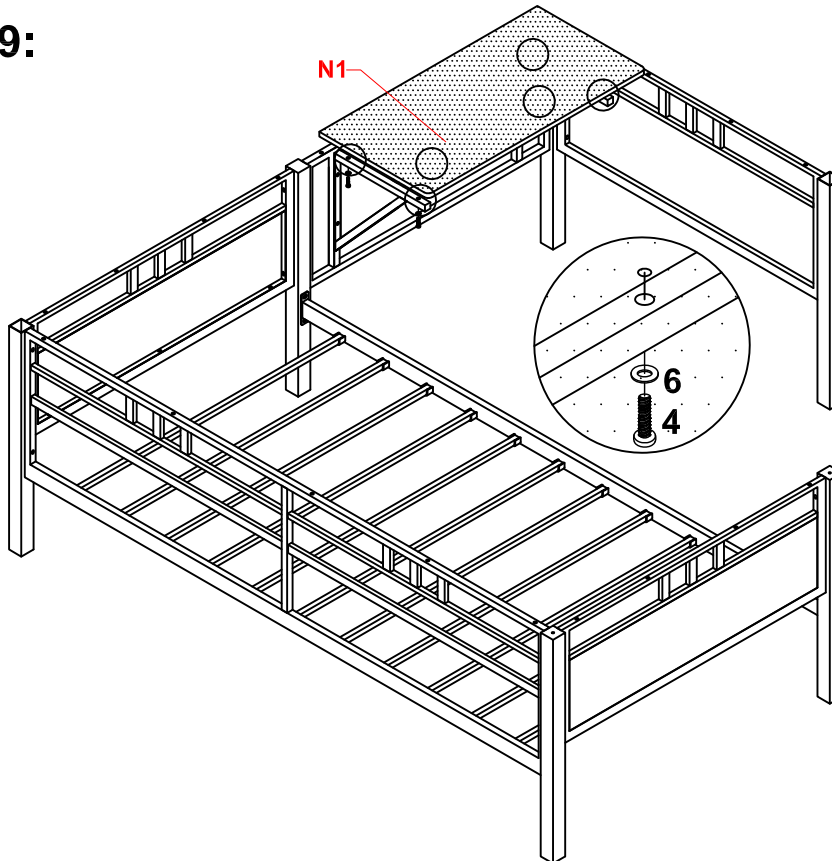
### STEP 18:



**COASTER**  
FINE FURNITURE

2		2PCS
5		3PCS
6		5PCS
8		

### STEP 19:



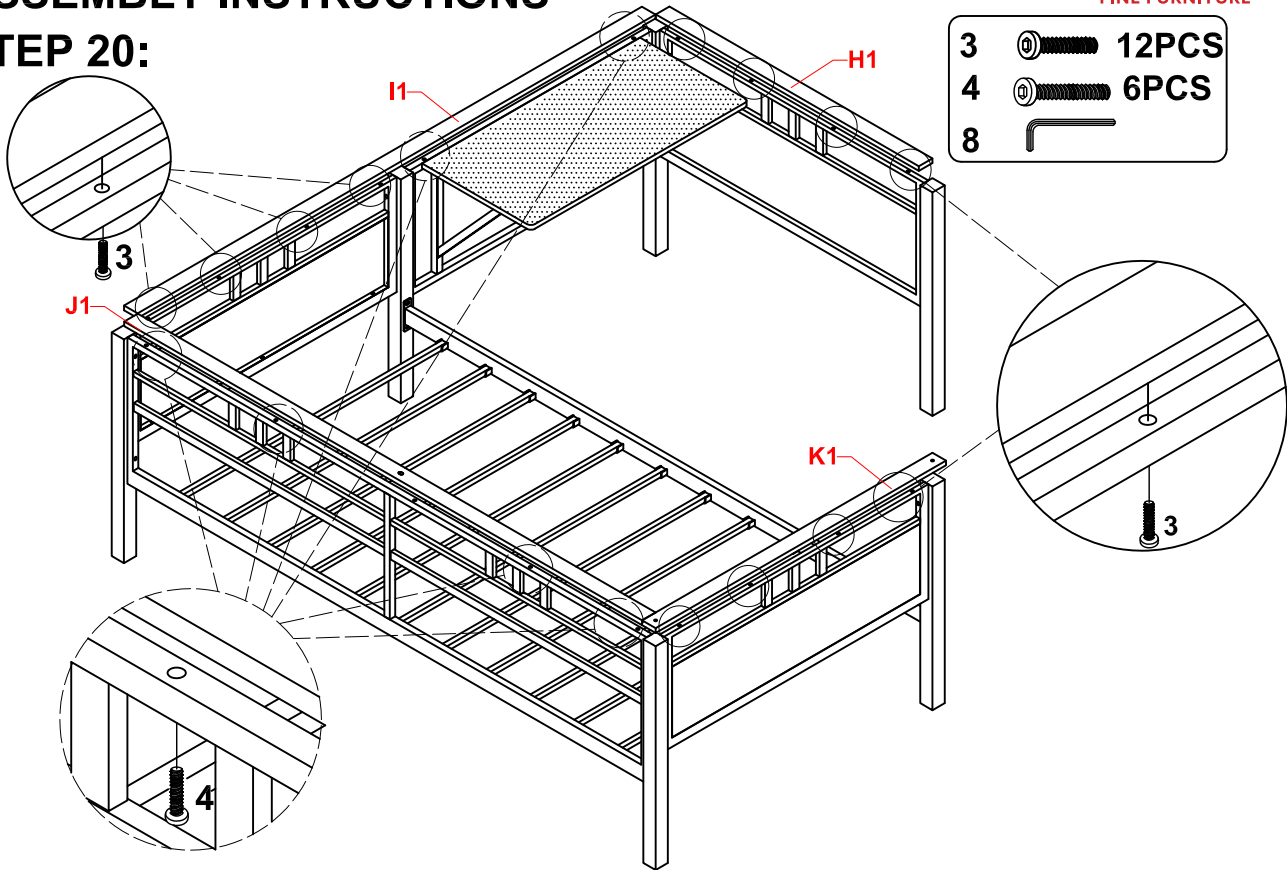
4		6PCS
6		6PCS
8		

# ITEM: 400119 (B1-B2)

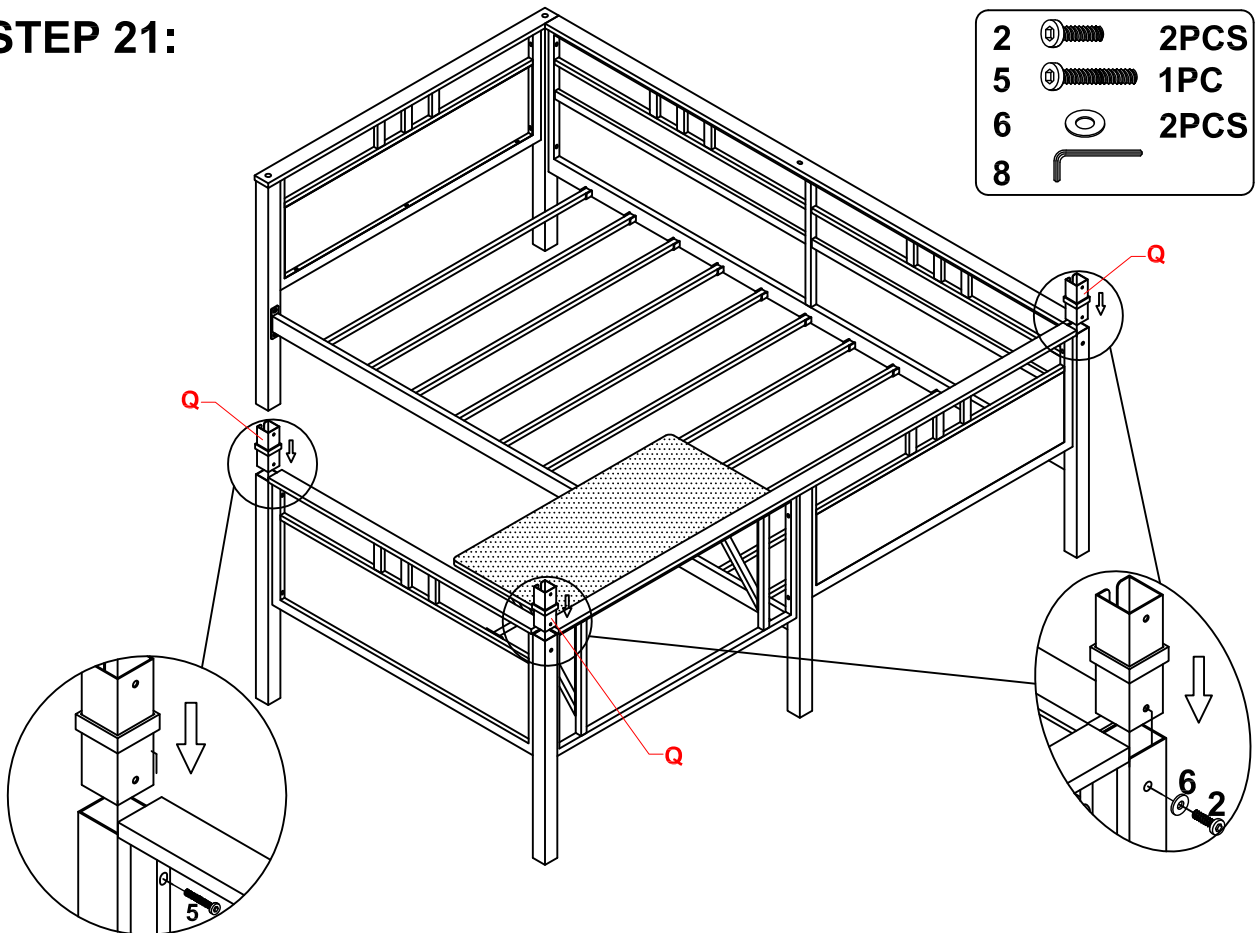


## ASSEMBLY INSTRUCTIONS

### STEP 20:



### STEP 21:



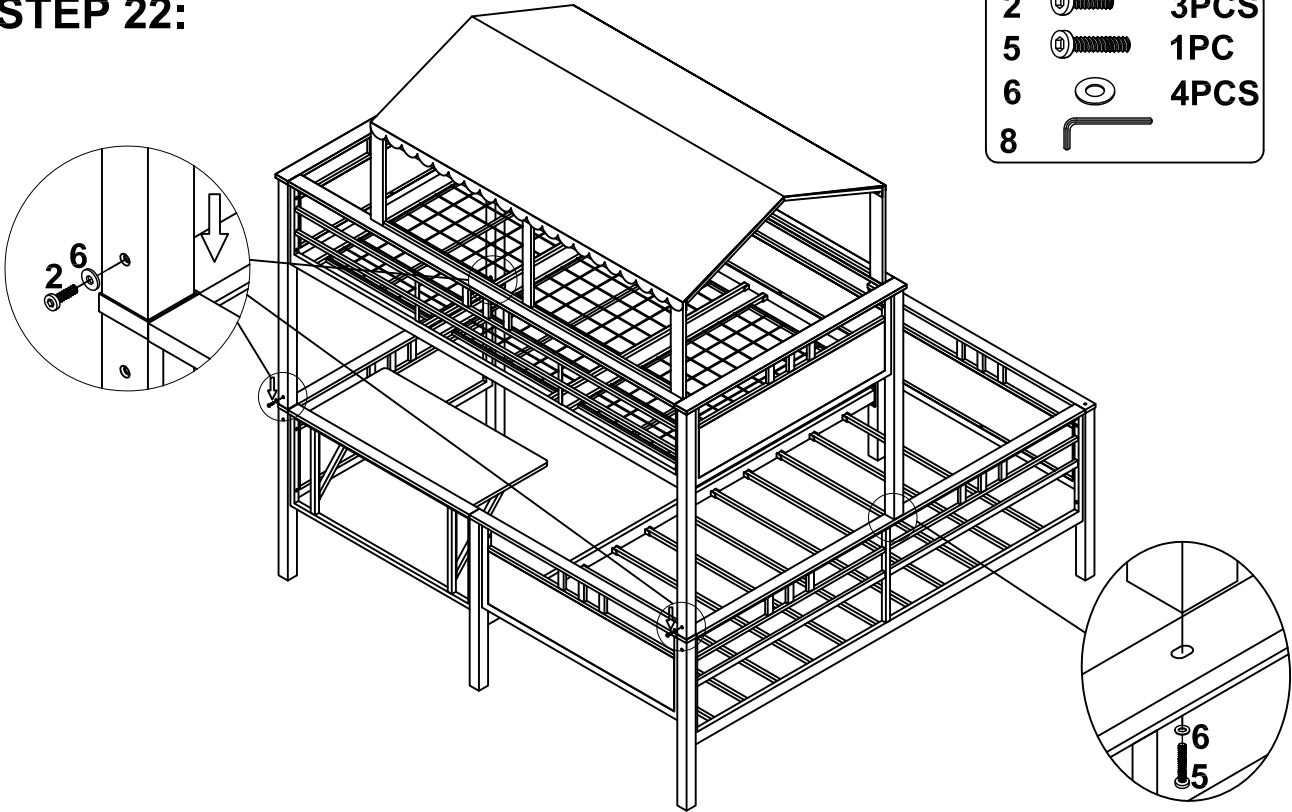
ITEM: **400119 (B1-B2)**



**ASSEMBLY INSTRUCTIONS**

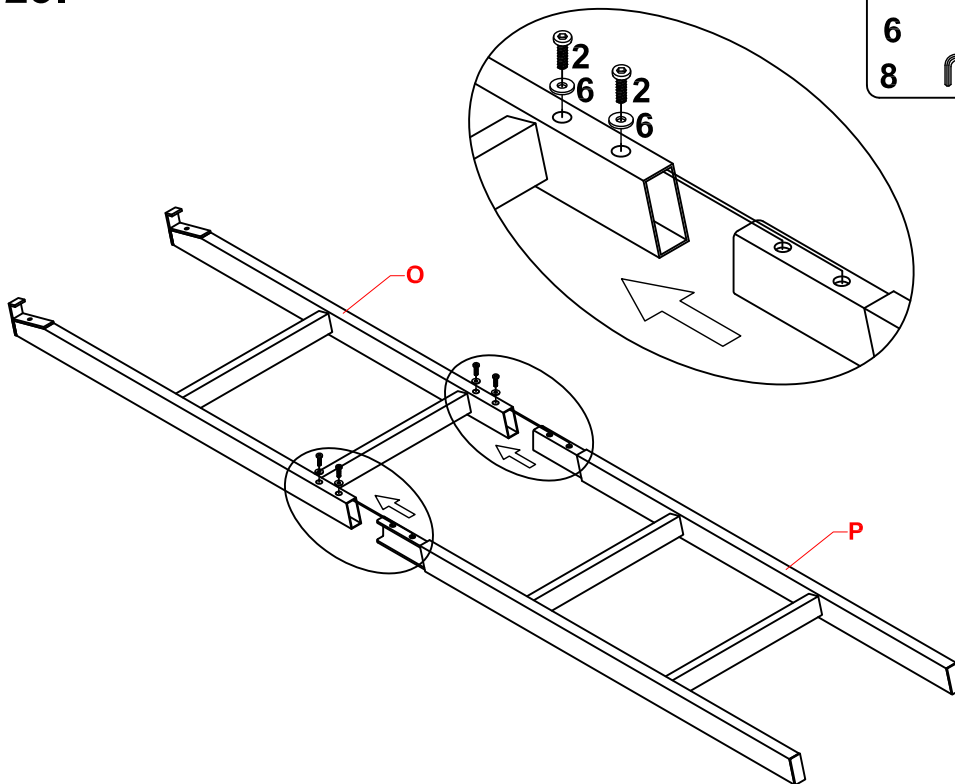
**STEP 22:**

2		3PCS
5		1PC
6		4PCS
8		



**STEP 23:**

2		4PCS
6		4PCS
8		





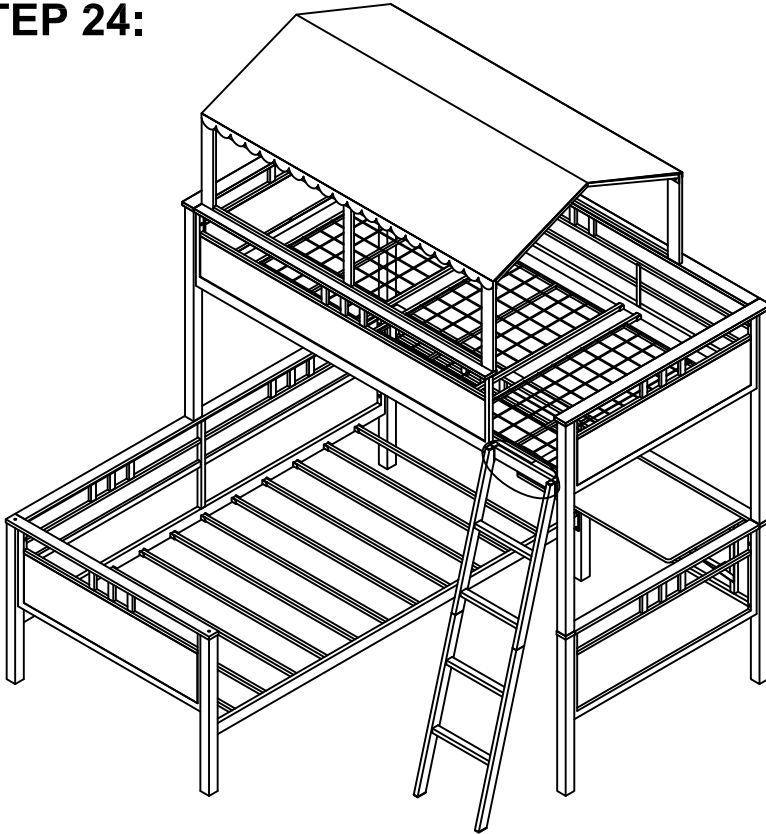
ITEM: **400119 (B1-B2)**

**ASSEMBLY INSTRUCTIONS**

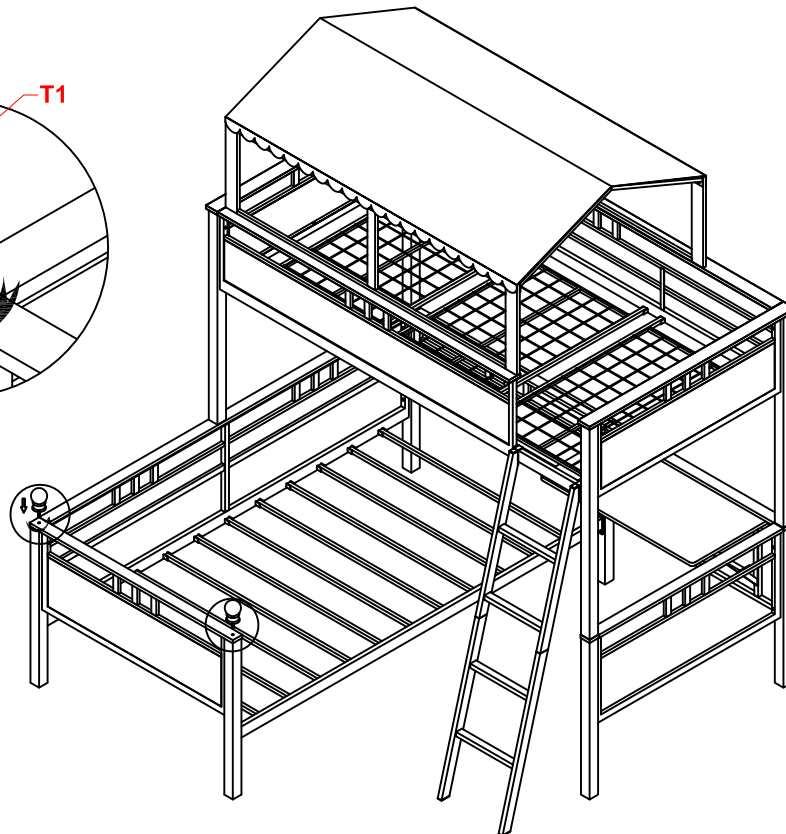
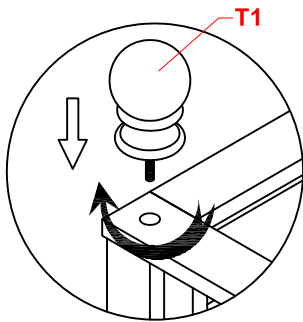
**STEP 24:**



1		2PCS
7		2PCS
9		



**STEP 25:**



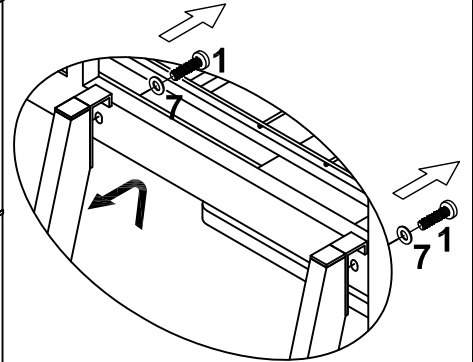
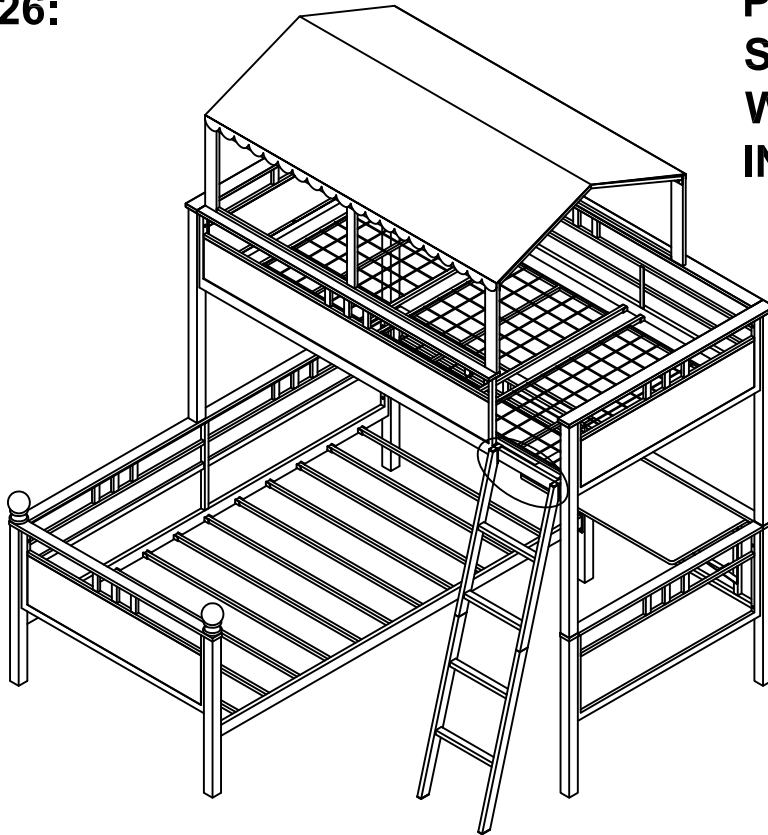
ITEM: **400119 (B1-B2)**

**ASSEMBLY INSTRUCTIONS**

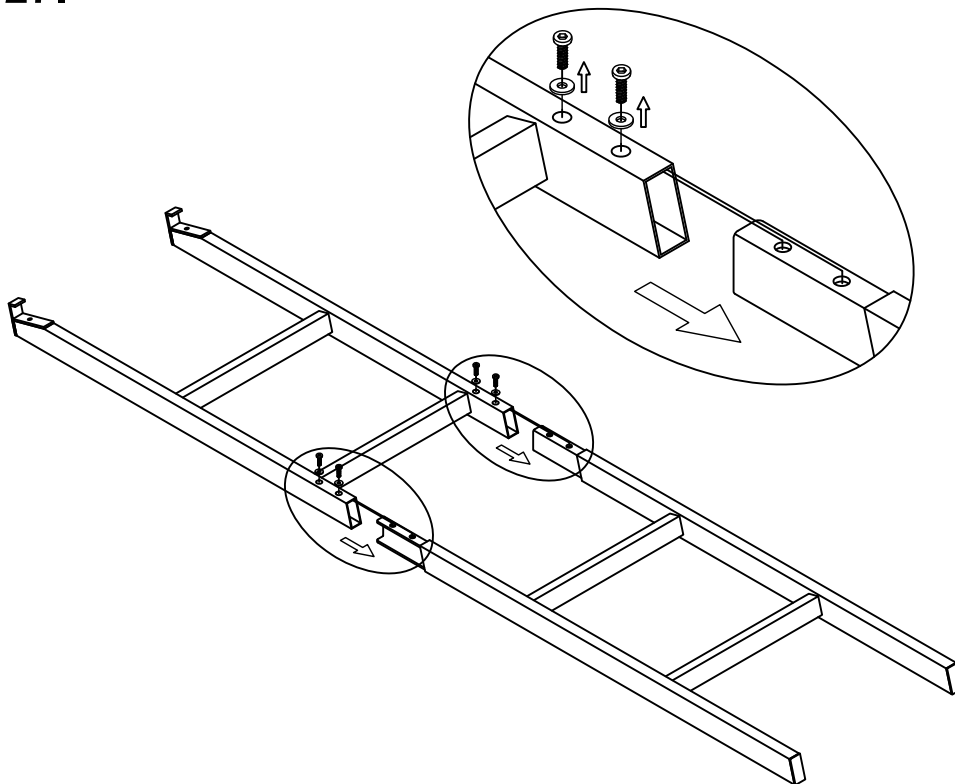
**STEP 26:**



**PLEASE FOLLOW  
STEP 26-33 IF YOU  
WANT TO SEPARATE  
INTO TWO BEDS.**



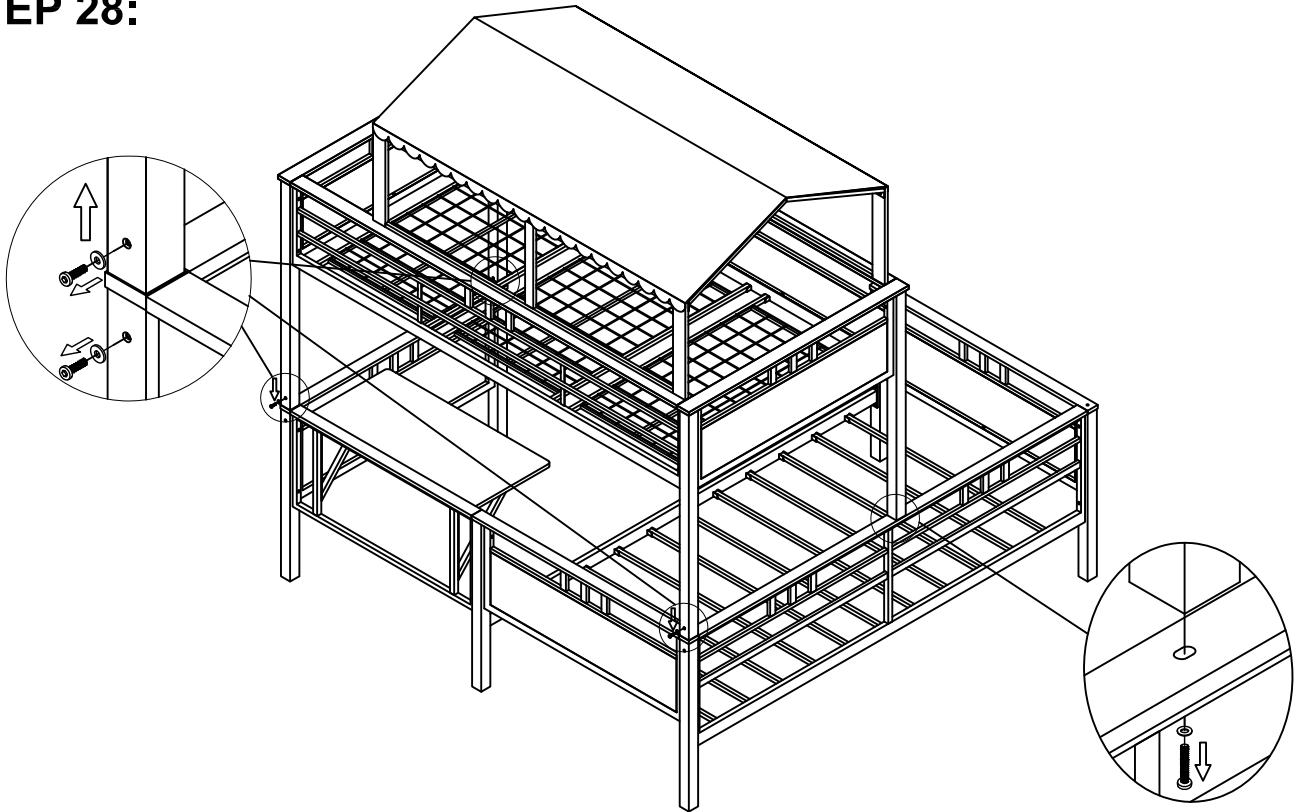
**STEP 27:**



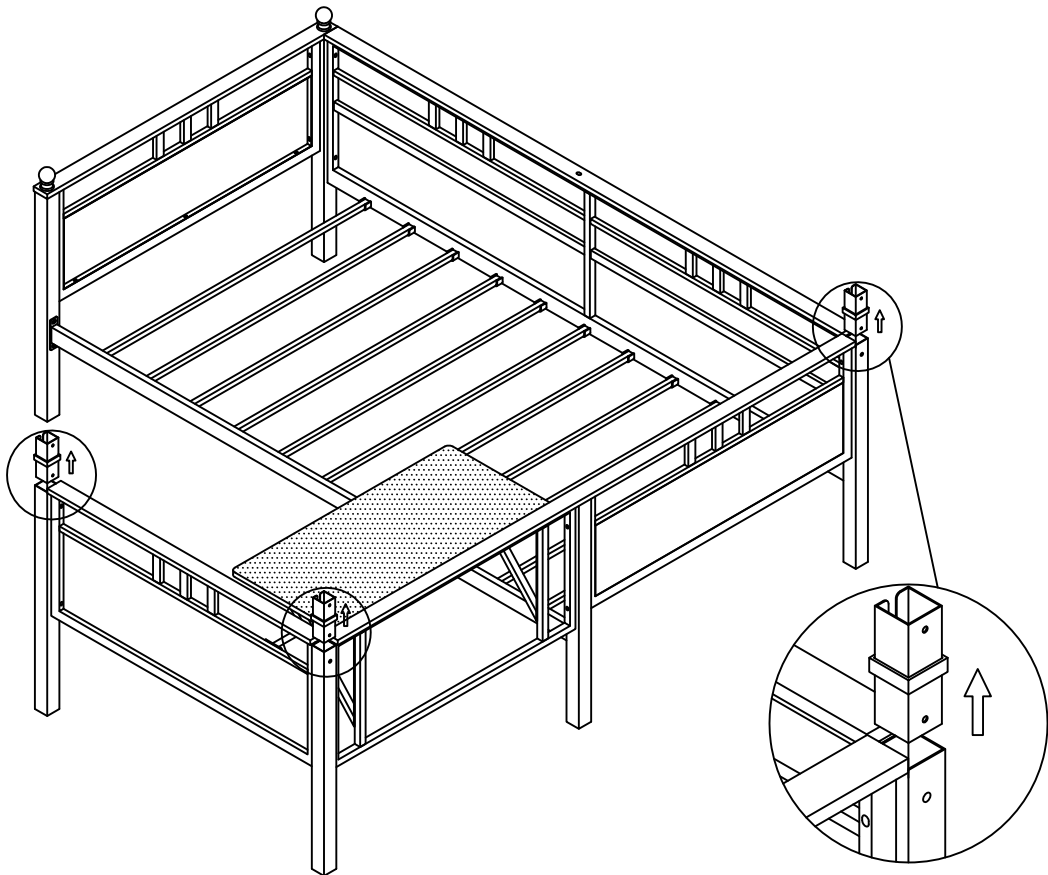
ITEM: **400119 (B1-B2)**

**ASSEMBLY INSTRUCTIONS**

**STEP 28:**



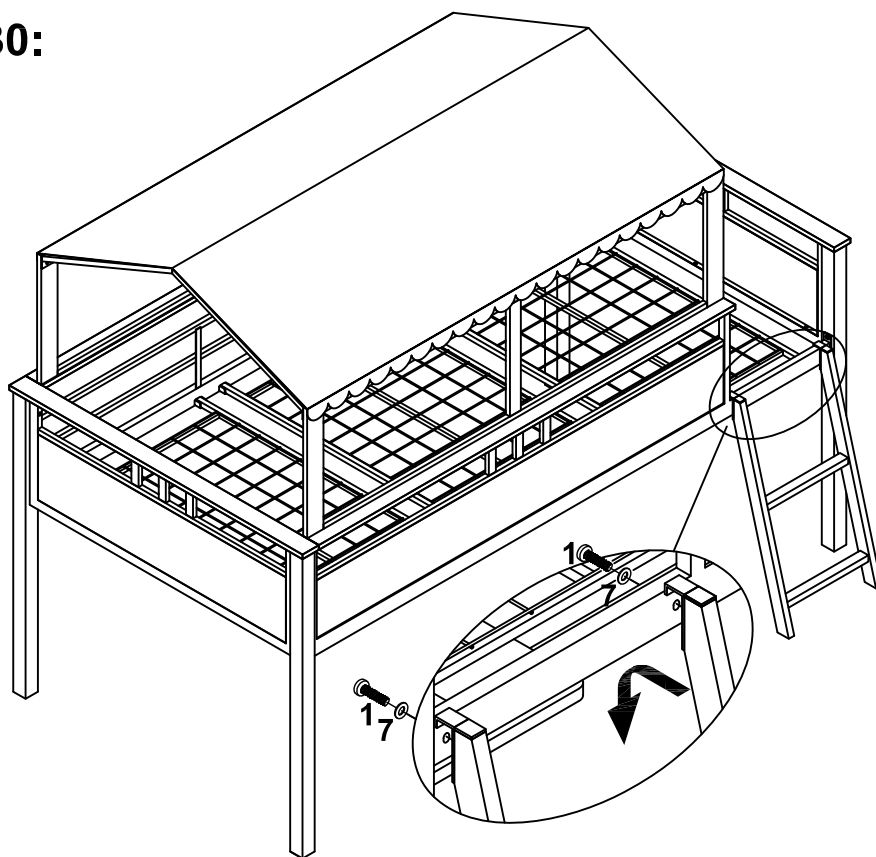
**STEP 29:**



ITEM: **400119 (B1-B2)**

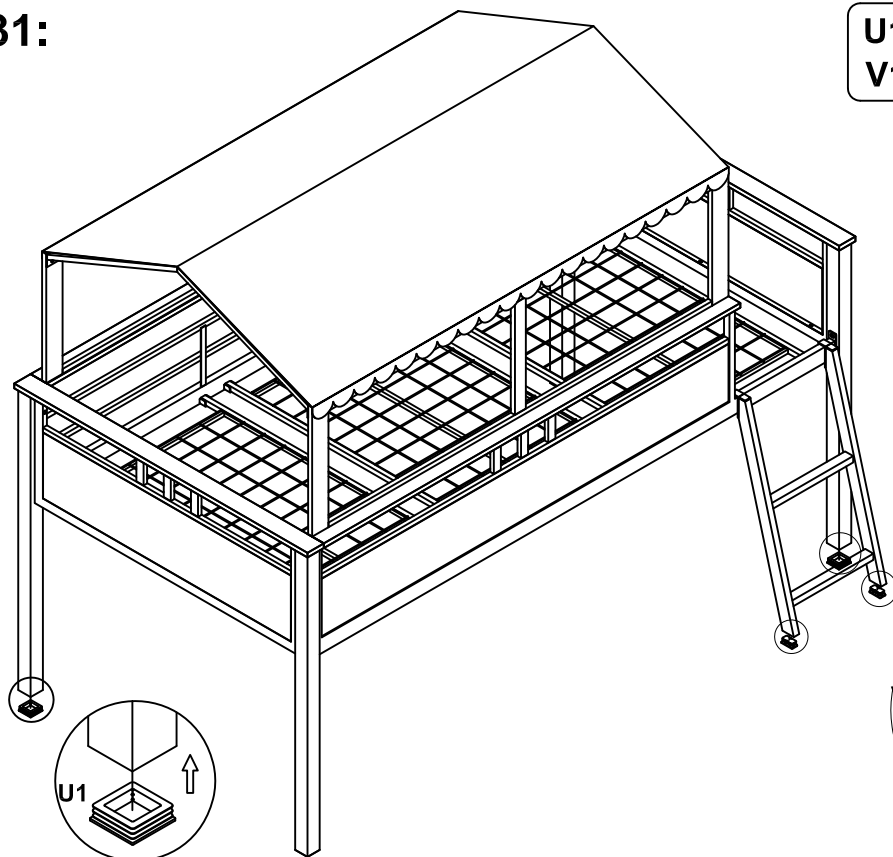
**ASSEMBLY INSTRUCTIONS**

**STEP 30:**



**STEP 31:**

U1		3PCS
V1		2PCS

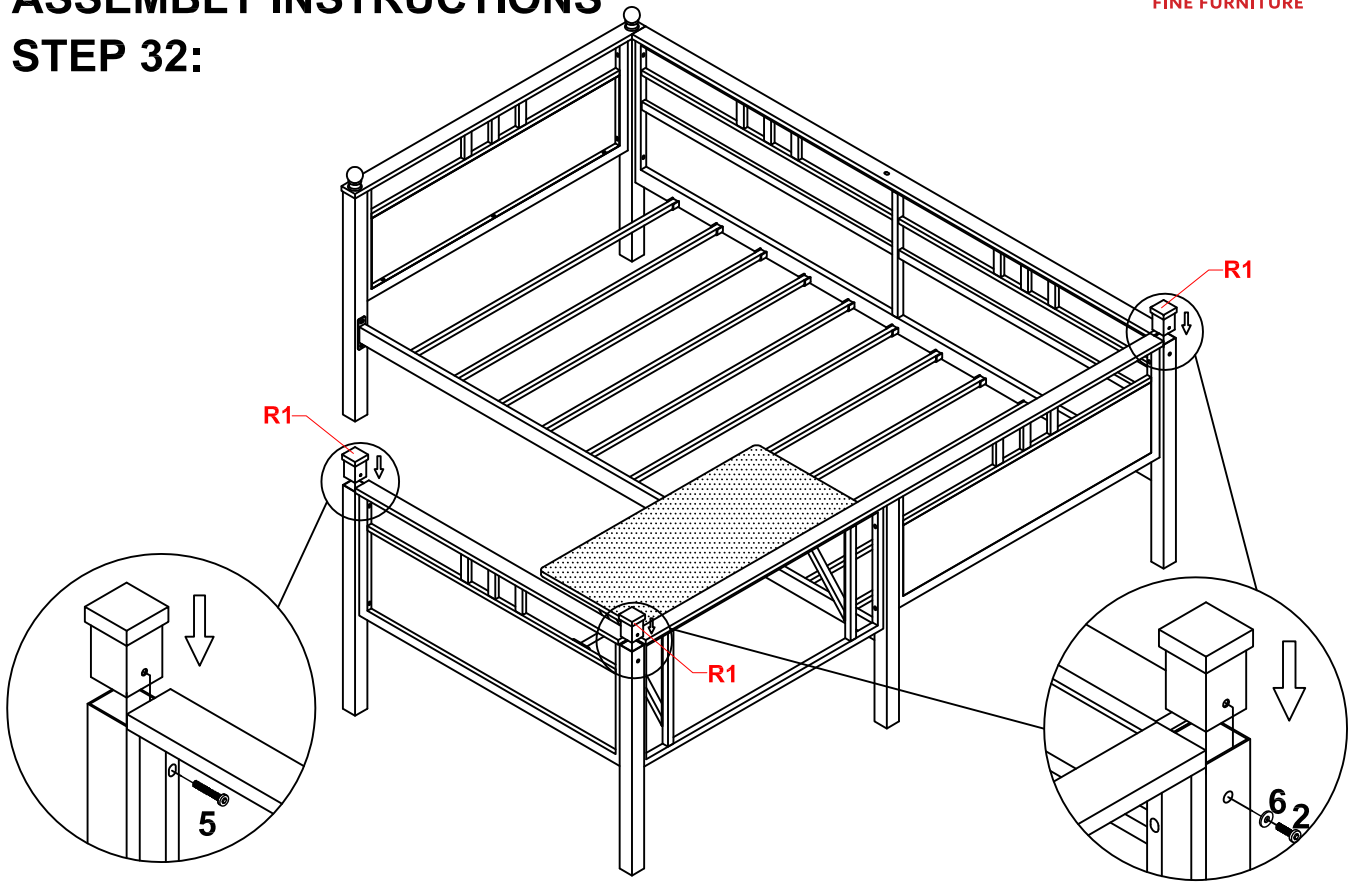


ITEM: **400119 (B1-B2)**



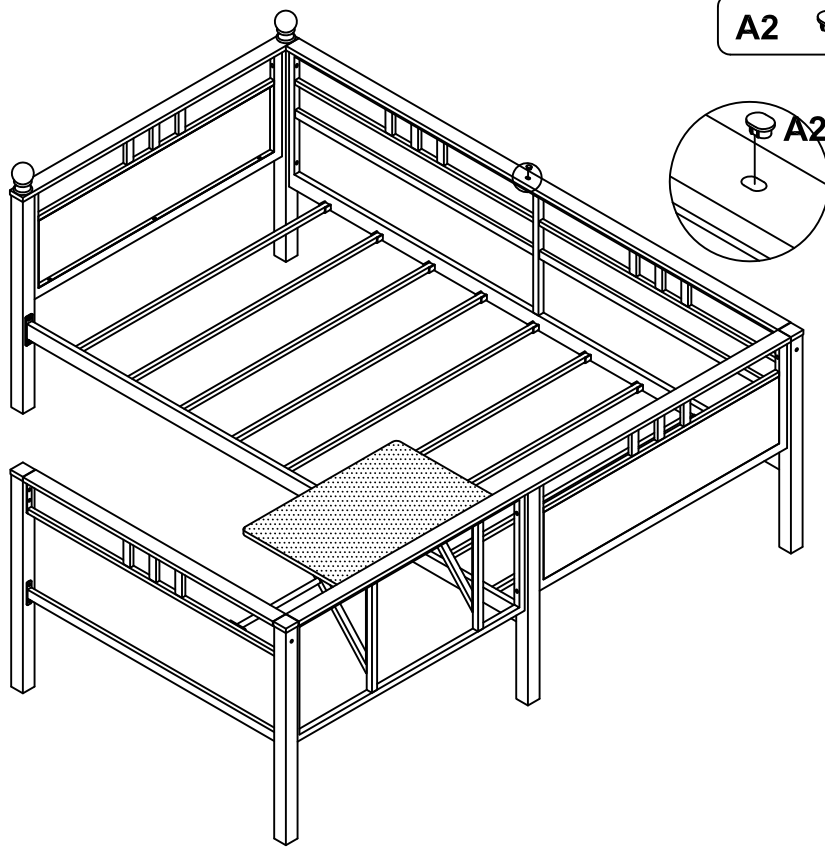
**ASSEMBLY INSTRUCTIONS**

**STEP 32:**



**STEP 33:**

**A2**  **1PC**



# ITEM:400119 (B1-B2)

## ASSEMBLY INSTRUCTIONS



### SIZE OF MATTRESS

The length and width of the bunk mattress are as follow :

	<u>Length</u>	<u>Width</u>	<u>Thickness</u>
Top bunk	74"-75"	37 $\frac{1}{2}$ "-38 $\frac{1}{2}$ "	6"Maximum
Bottom Bunk	74"-75"	37 $\frac{1}{2}$ "-38 $\frac{1}{2}$ "	8"Maximum

Ensure thickness of mattress does not exceed 6" and there must be at least 5" from mattress sleeping surface to top edge of guardrail.



## SAFETY WARNING



1. Follow the information on the warnings appearing on the upper bunk end structure and on the carton. Do not remove the warning label from bed.
2. Always use the recommended size mattresses or mattress supports or both to help prevent the likelihood of entrapment or falls.
3. Surface of mattress must be at least 5 in. (127 mm) below the upper edge of guardrails.
4. Do not allow children under 6 years of age to use the upper bunk.
5. Prohibit more than one person on upper bunk.
6. Periodically check and ensure that the guardrail, ladder, and other components are in their proper position, free from damage, and that all connectors are tight.
7. Do not allow horseplay on or under the bed and prohibit jumping on the bed.
8. Always use the ladder for entering and leaving the upper bunk.
9. Do not use substitute parts. Contact the manufacturer or dealer for replacement parts.
10. Use of a night light may provide added safety precaution for a child using upper bunk.
11. Always use guardrails on both long sides of the upper bunk. If the bunk bed will be placed next to the wall, the guardrail that runs the full length of the bed should be placed against the wall to prevent entrapment between the bed and wall.
12. The use of water or sleep flotation mattress is prohibited.
13. Keep these instructions for future reference.

#### **STRANGULATION HAZARD:**

14. Never attach or hang items to any part of the bunk bed that are not designed for use with the bed for example, but not limited to hooks, belts, and jump ropes.

#### **REPLACEMENT PARTS**

Replacement parts, including additional guardrails may be obtained from any COASTER Furniture Dealer.

ITEM: **400119 (B1-B2)**

**ASSEMBLY INSTRUCTIONS**

 **WARNING**   
TO PREVENT SERIOUS OR FATAL INJURY

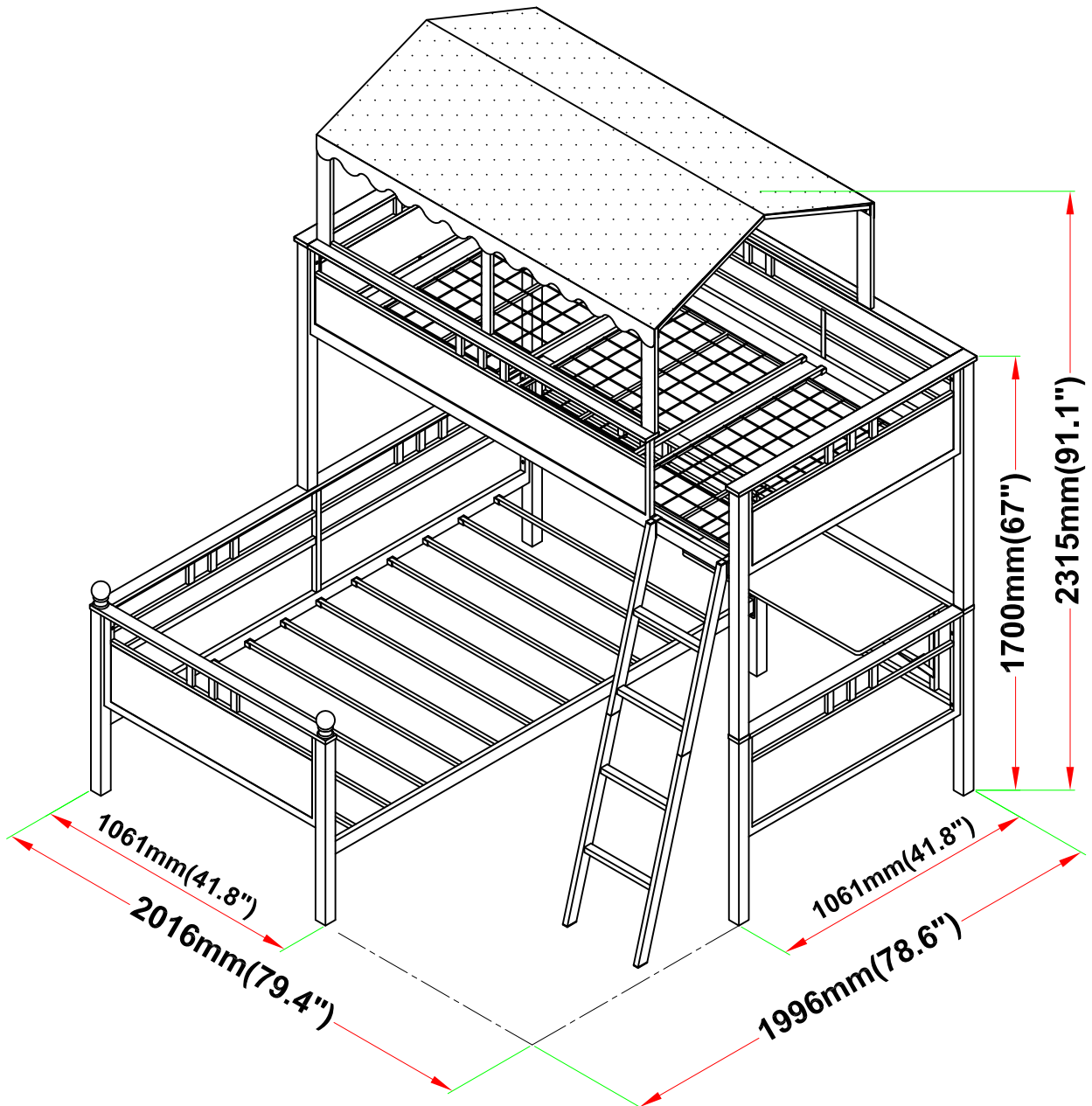
1. When using beds as bunk beds, the ladder **MUST** be securely attached to the upper bunk rail at all times.
2. When using the beds as two (2) separate floor-standing beds, the ladder **MUST** be stored in a separate location where children cannot use the ladder in any manner.
3. **DO NOT** use, nor permit children to use, the ladder in any manner whatsoever, other than to access the top unit when used as bunk beds, and only if the ladder is securely attached to the top bunk rail, as set forth in the instructions.
4. Any misuse or unauthorized use of the ladder could result in serious or fatal injury.
5. Failure to follow the above WARNING, and/or failure to follow assembly instructions completely, will void any and all liability of COASTER COMPANY OF AMERICA for damages and injury to persons and property.

  
**COASTER**<sup>®</sup>  
FINE FURNITURE

Coasterfurniture.com | 877-COASTER (262-7837)

ITEM:400119 (B1-B2)

**COASTER**  
FINE FURNITURE



**Note :** Dimension tolerance  $\pm 5\%$