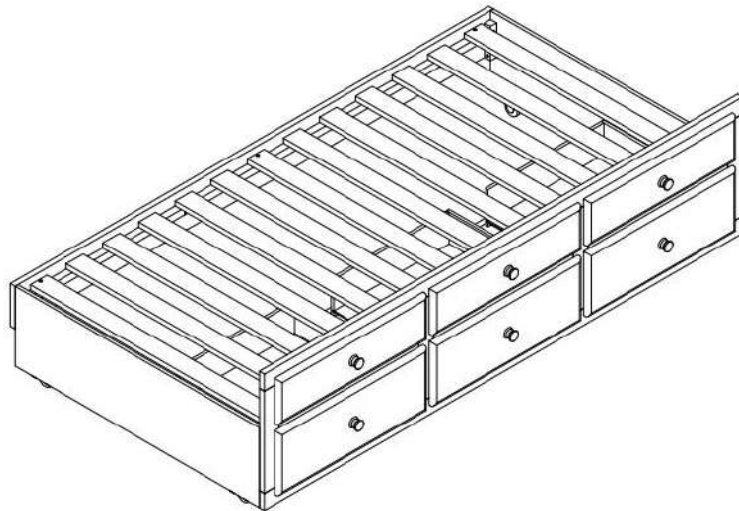


ASSEMBLY INSTRUCTIONS
COASTER FINE FURNITURE



Fine Furniture for every stage of life

460074
Under Bed Trundle

ITEM: **460074**



ASSEMBLY INSTRUCTIONS

ASSEMBLY TIPS:

1. Remove hardware from box and sort by size.
2. Please check to see that all hardware and parts are present prior to start of assembly.
3. Please follow attached instructions in the same sequence as numbered to assure fast & easy assembly.



WARNING!

1. Don't attempt to repair or modify parts that are broken or defective. Please contact the store immediately.
2. This product is for home use only and not intended for commercial establishments.



ASSEMBLY TIME

30 MINUTES

PARTS IDENTIFICATION

A	TRUNDLE FRONT FRAME		1PC	G	LEFT & RIGHT DRAWER SIDE PANEL		6PCS
B	TRUNDLE CENTER RAIL		1PC	H	DRAWER BACK PANEL		3PCS
C	TRUNDLE TRESTLE BAR		3PCS	I	DRAWER BOTTOM PANEL		3PCS
D1	TRUNDLE LEFT SIDE PANEL WITH CASTER		1PC	J	ROLL SLAT (13PCS)		1SET
D2	TRUNDLE RIGHT SIDE PANEL WITH CASTER		1PC	K	DRAWER GLIDE		3SET
E	TRUNDLE BACK RAIL		1PC	L	DRAWER FRONT PANEL		3PCS
F	DRAWER FACE		3PCS	X	KNOB WITH SCREW		6SETS

NOTE:

Phillips head screw driver is required in the assembly process; however, manufacturer does not provide this item.

ITEM: **460074**

ASSEMBLY INSTRUCTIONS

ASSEMBLY TIPS:




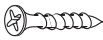
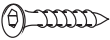

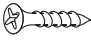
1. Remove hardware from box and sort by size.
2. Please check to see that all hardware and parts are present prior to start of assembly.
3. Please follow attached instructions in the same sequence as numbered to assure fast & easy assembly.



WARNING!

1. Don't attempt to repair or modify parts that are broken or defective. Please contact the store immediately.
2. This product is for home use only and not intended for commercial establishments.

HARDWARE IDENTIFICATION

1	BOLT (1/4 x 45mm - BLK)		13PCS	5	SHORT FLAT HEAD SCREW (3 x 12mm - BLK)		6PCS
2	WOOD DOWEL (10 x 40mm)		16PCS	6	LONG FLAT HEAD SCREW (4 x 30mm - BLK)		6PCS
3	HEX HEAD SCREW (1/4 x 50mm - BLK)		3PCS	7	ALLEN WRENCH (4 x 25mm x 60mm- BLK)		1PC
4	MEDIUM FLAT HEAD SCREW (4 x 25mm - BLK)		39PCS				

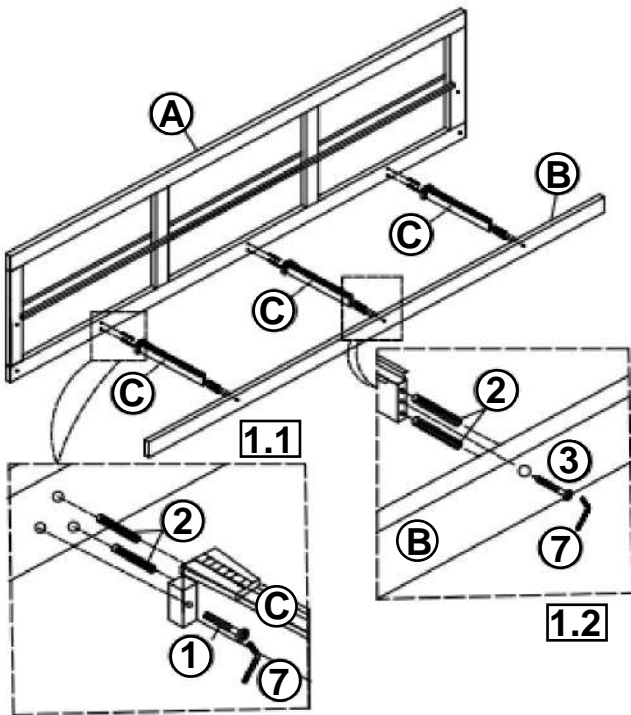
NOTE:

Phillips head screw driver is required in the assembly process; however, manufacturer does not provide this item.

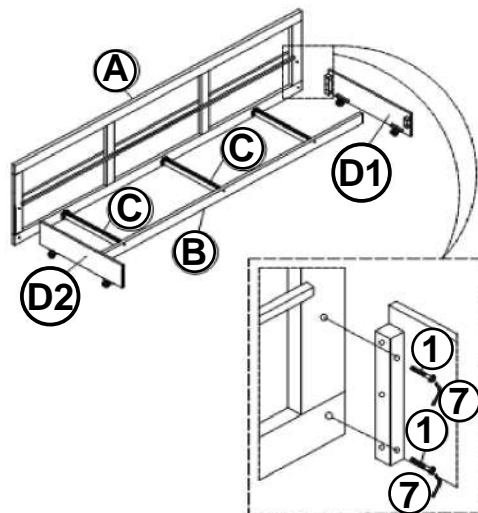
ITEM: **460074**

ASSEMBLY INSTRUCTIONS

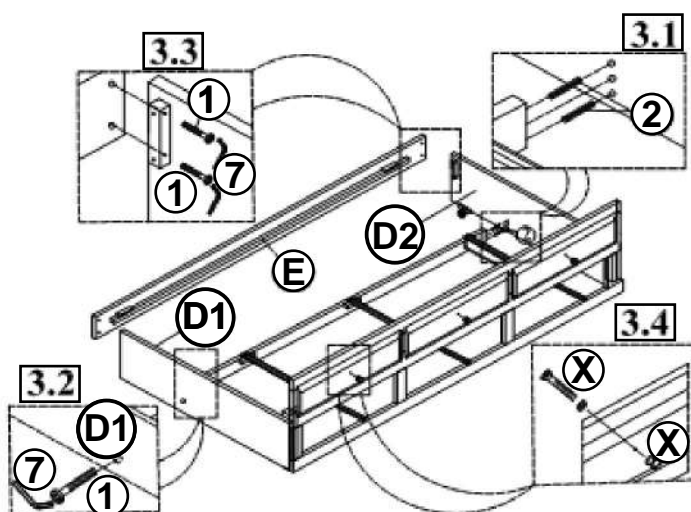
STEP 1



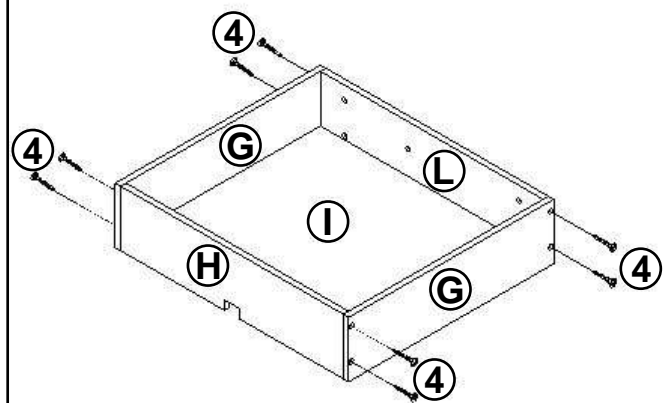
STEP 2



STEP 3



STEP 4

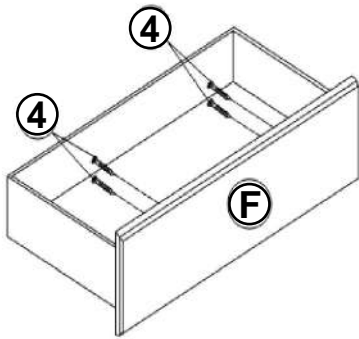


ITEM: **460074**

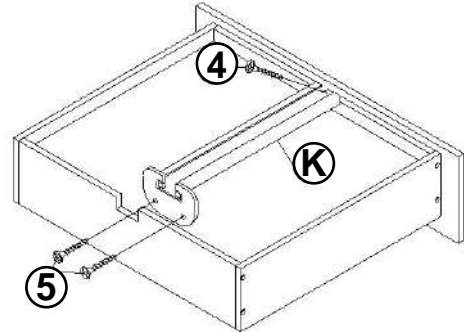


ASSEMBLY INSTRUCTIONS

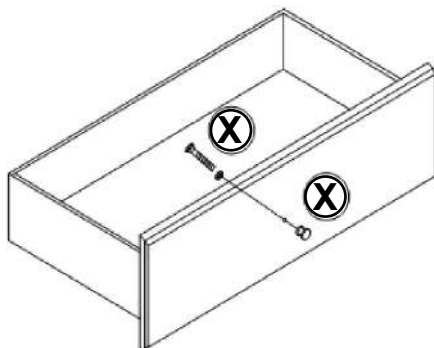
STEP 5



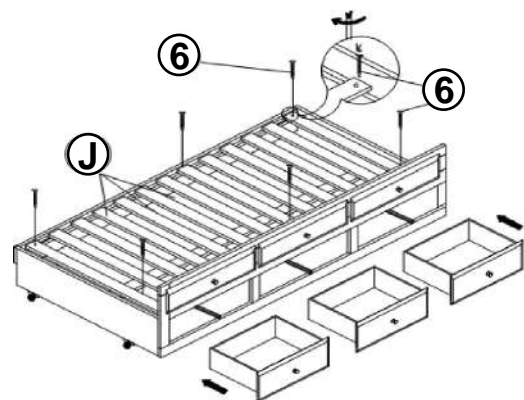
STEP 6



STEP 7



STEP 8
COMPLETE

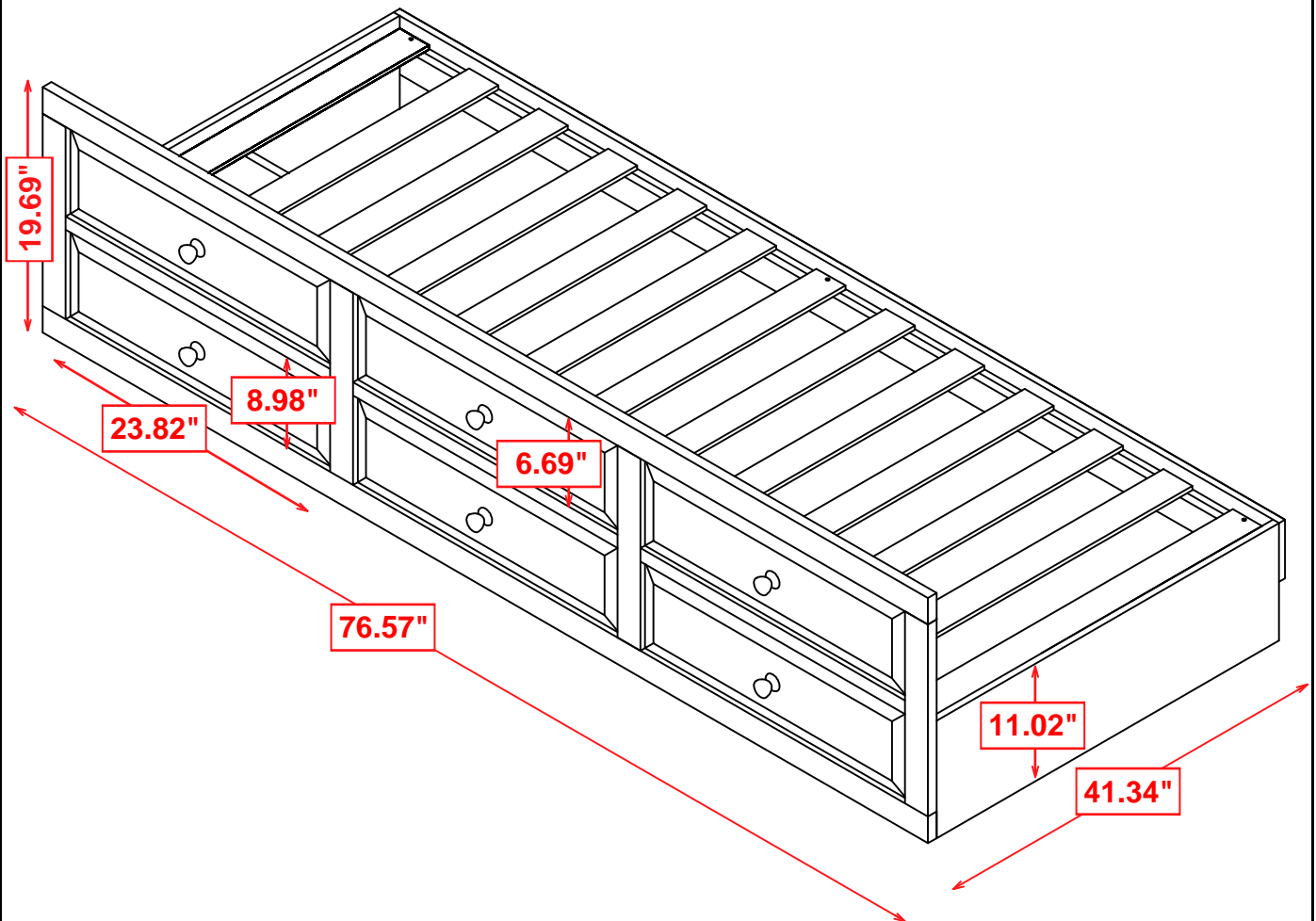


ITEM: **460074**

COASTER
FINE FURNITURE

INNER SIZE : 39.25" X 75.5"

INNER SIZE OF DRAWER: 39.21" X 75.63" X 18.9"



Note :Dimension tolerance $\pm 5\%$

COASTERFURNITURE.COM