

ASSEMBLY INSTRUCTIONS
COASTER FINE FURNITURE



Fine Furniture for every stage of life

951056
ACCENT CABINET

ITEM:951056

ASSEMBLY INSTRUCTIONS

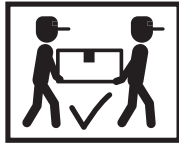
ASSEMBLY TIPS:

1. Remove hardware from box and sort by size.
2. Please check to see that all hardware and parts are present prior to start of assembly.
3. Please follow attached instructions in the same sequence as numbered to assure fast & easy assembly.



WARNING!

1. Don't attempt to repair or modify parts that are broken or defective. Please contact the store immediately.
2. This product is for home use only and not intended for commercial establishments.

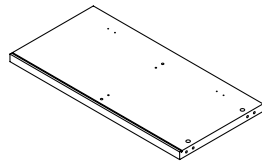


ASSEMBLY TIME

60 MINUTES

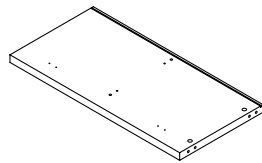
PARTS IDENTIFICATION

A LEFT SIDE
PANEL



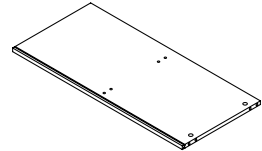
1 PC

B RIGHT SIDE
PANEL



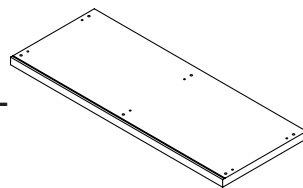
1 PC

C MIDDLE DIVIDER
PANEL



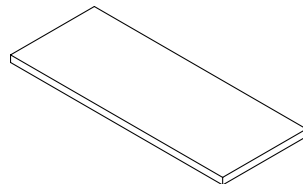
1 PC

D BOTTOM PANEL



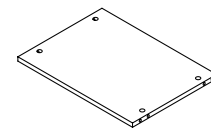
1 PC

E TOP PANEL



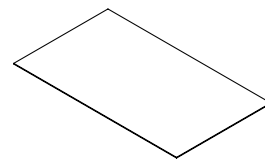
1 PC

F CROSS PANEL



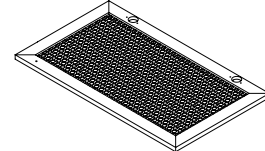
2 PCS

G BACK PANEL



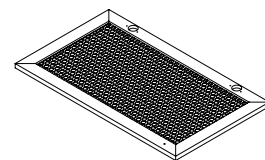
2 PCS

H LEFT DOOR



1 PC

I RIGHT DOOR

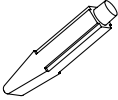
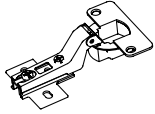
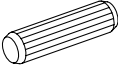

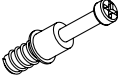
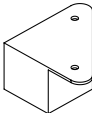


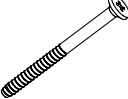

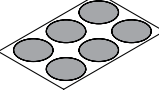

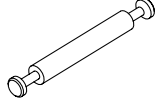
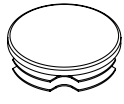


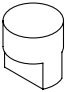




1 PC

NOTE:

Phillips head screw driver is required in the assembly process; however, manufacturer does not provide this item.

HARDWARE IDENTIFICATION

Z							
NO	DESCRIPTION	FIGURE	Q'TY	NO	DESCRIPTION	FIGURE	Q'TY
1	GLUE 15g		1 PC	11	HINGE Ø35mm SR		4 PCS
2	WOODEN DOWEL Ø8x30mm		16 PCS	12	HINGE SCREW Ø4x15mm SR		16 PCS
3	CAM BOLT Ø7x35.5mm SR		10 PCS	13	LEG 47mm BLK		4 PCS
4	CAM LOCK Ø15x12mm SR		14 PCS	14	SUPORT LEG Ø45mm BLK		1 PC
5	BOLT Ø9.5x55mm SR		6 PCS	15	SCREW Ø4x19mm BLK		8 PCS
6	STICKER Ø20mm		3 PCS	16	SQUARE FLOOR PROTECTOR 50x50mm		4 PCS
7	CAM BOLT Ø7x63mm SR		2 PCS	17	ROUND FLOOR PROTECTOR Ø50mm		1 PC
8	WOODEN DOWEL Ø8x50mm		2 PCS	18	BACK PANEL SUPPORT		6 PCS
9	HANDLE		2 PCS	19	BACK PANEL SUPPORT SCREW Ø3x19mm SR		6 PCS
10	HANDLE BOLT Ø4x25mm BLK		2 PCS				

Z11,Z13,Z14 not included in blister packaging.

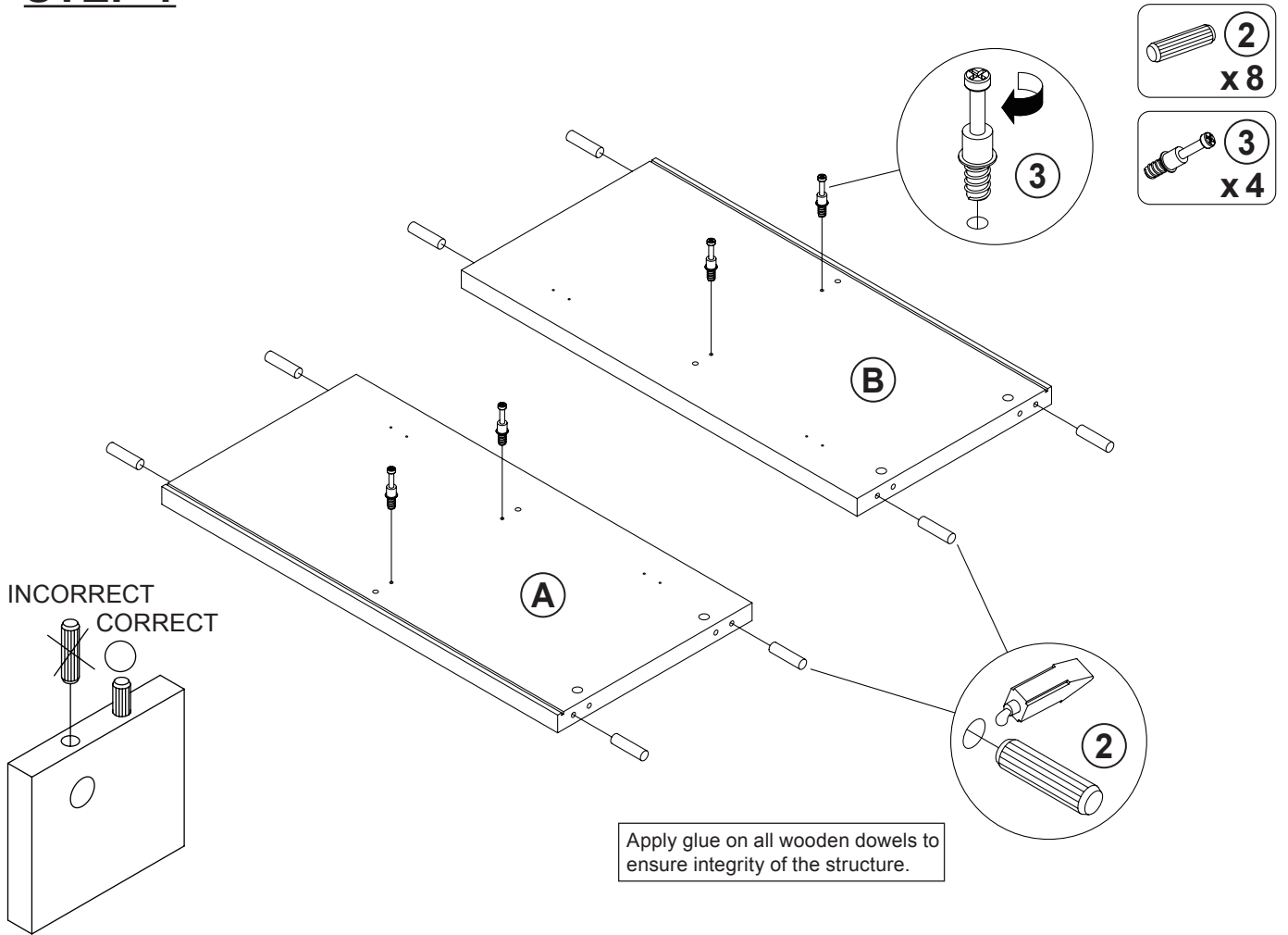
NOTE:

Phillips head screw driver is required in the assembly process; however, manufacturer does not provide this item.

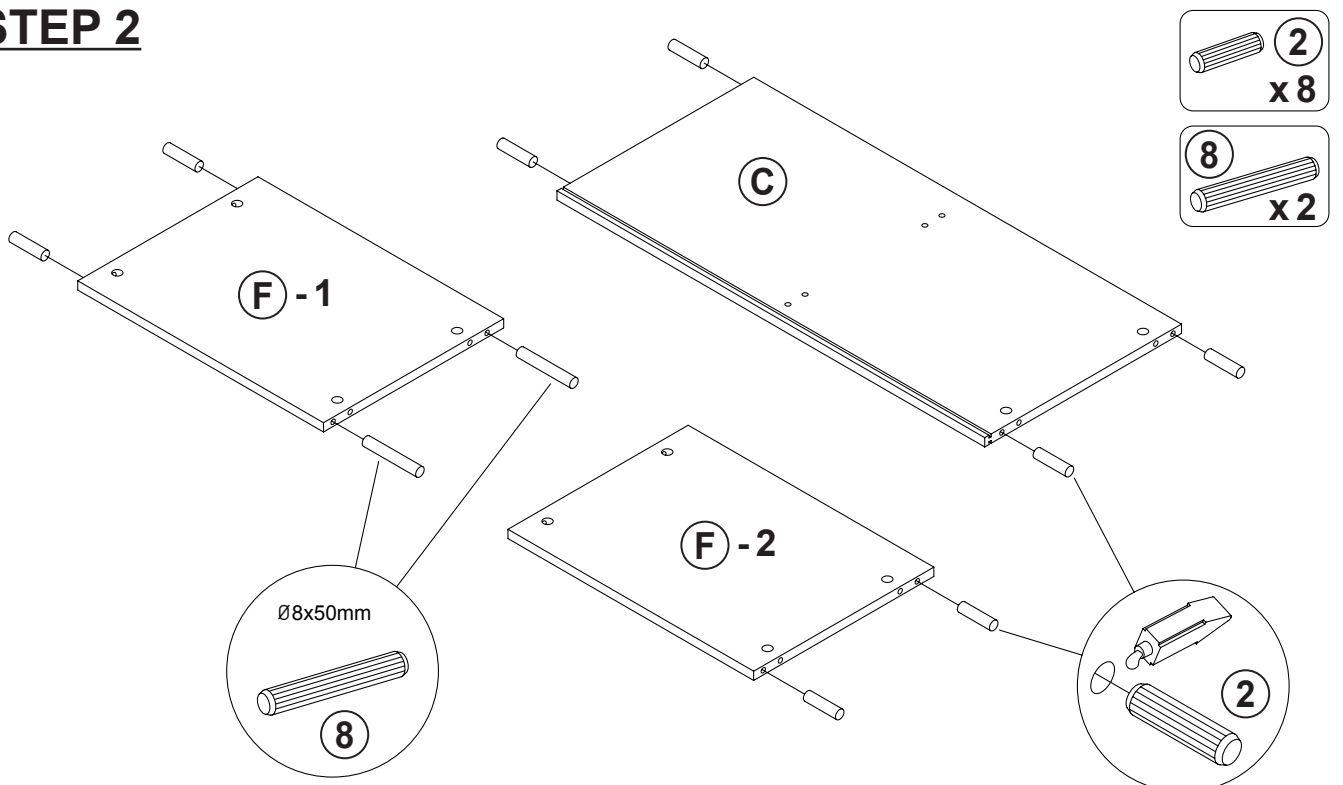
ITEM: **951056**

COASTER
FINE FURNITURE

STEP 1



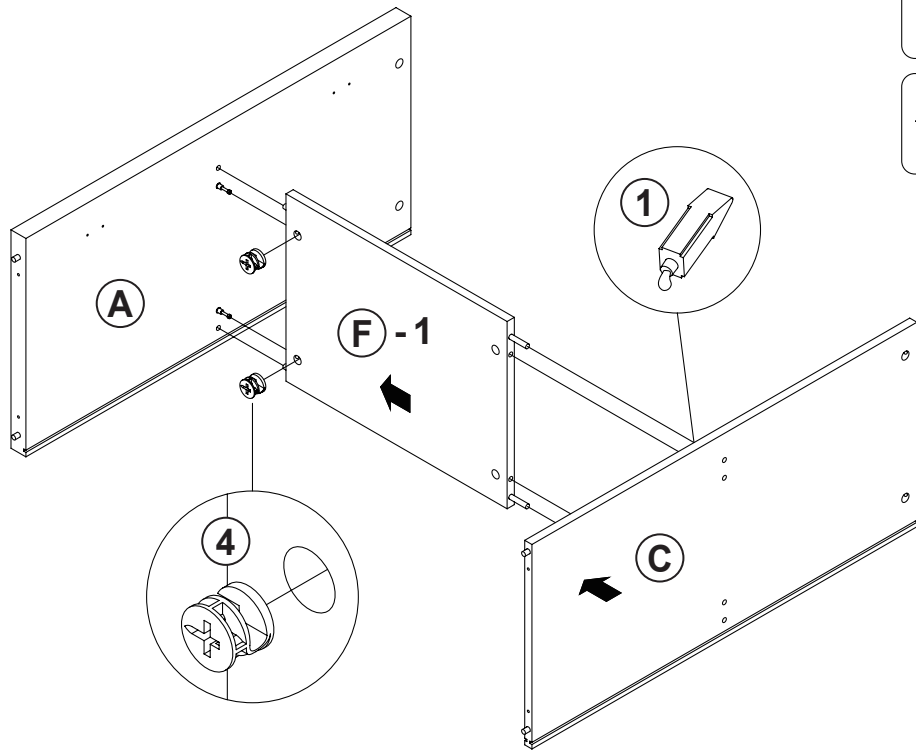
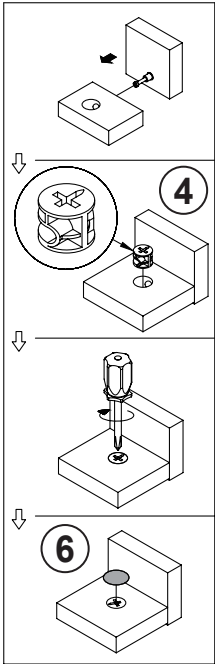
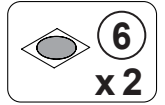
STEP 2



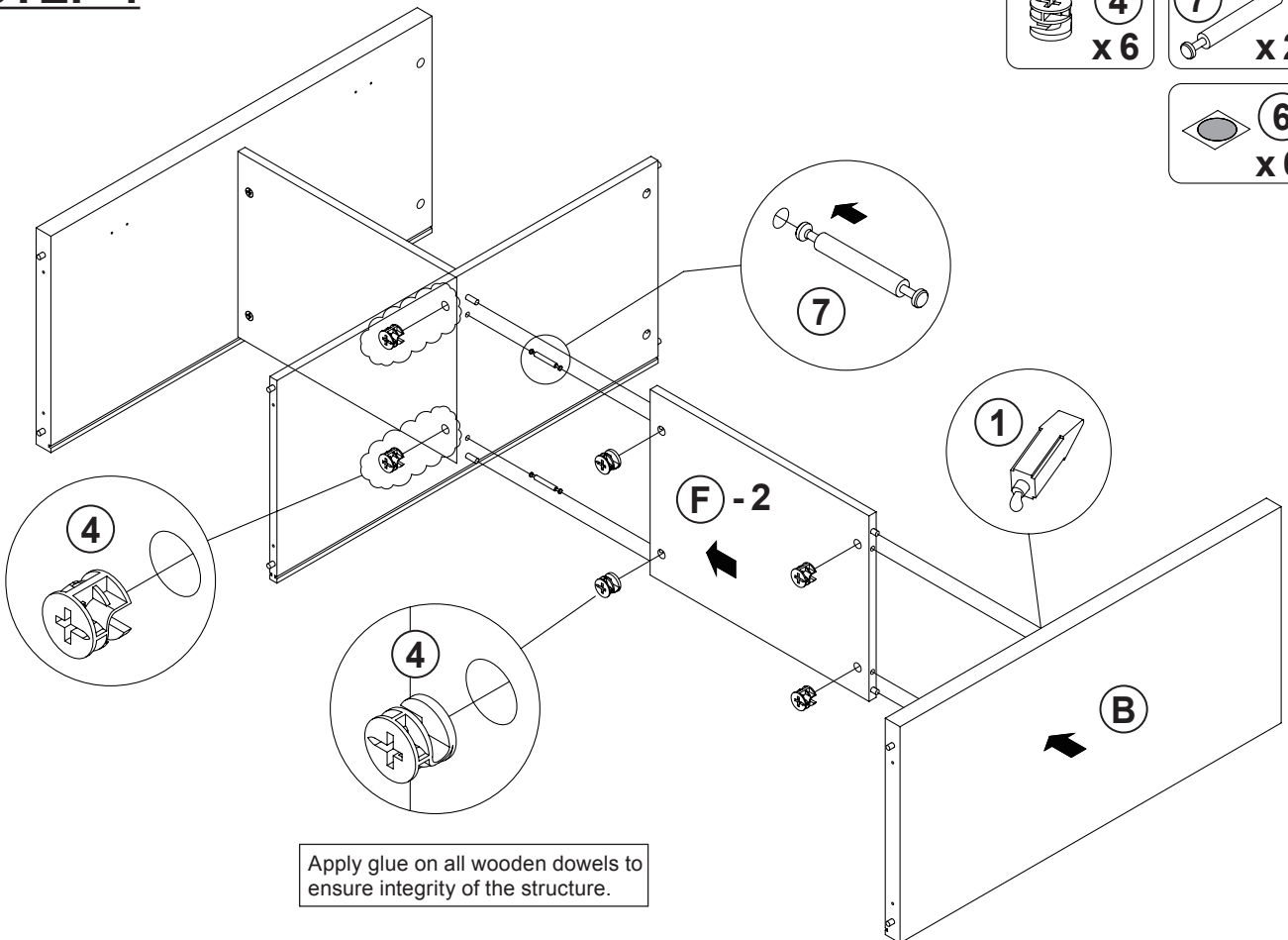
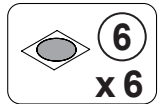
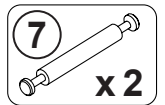
ITEM: 951056

COASTER
FINE FURNITURE

STEP 3



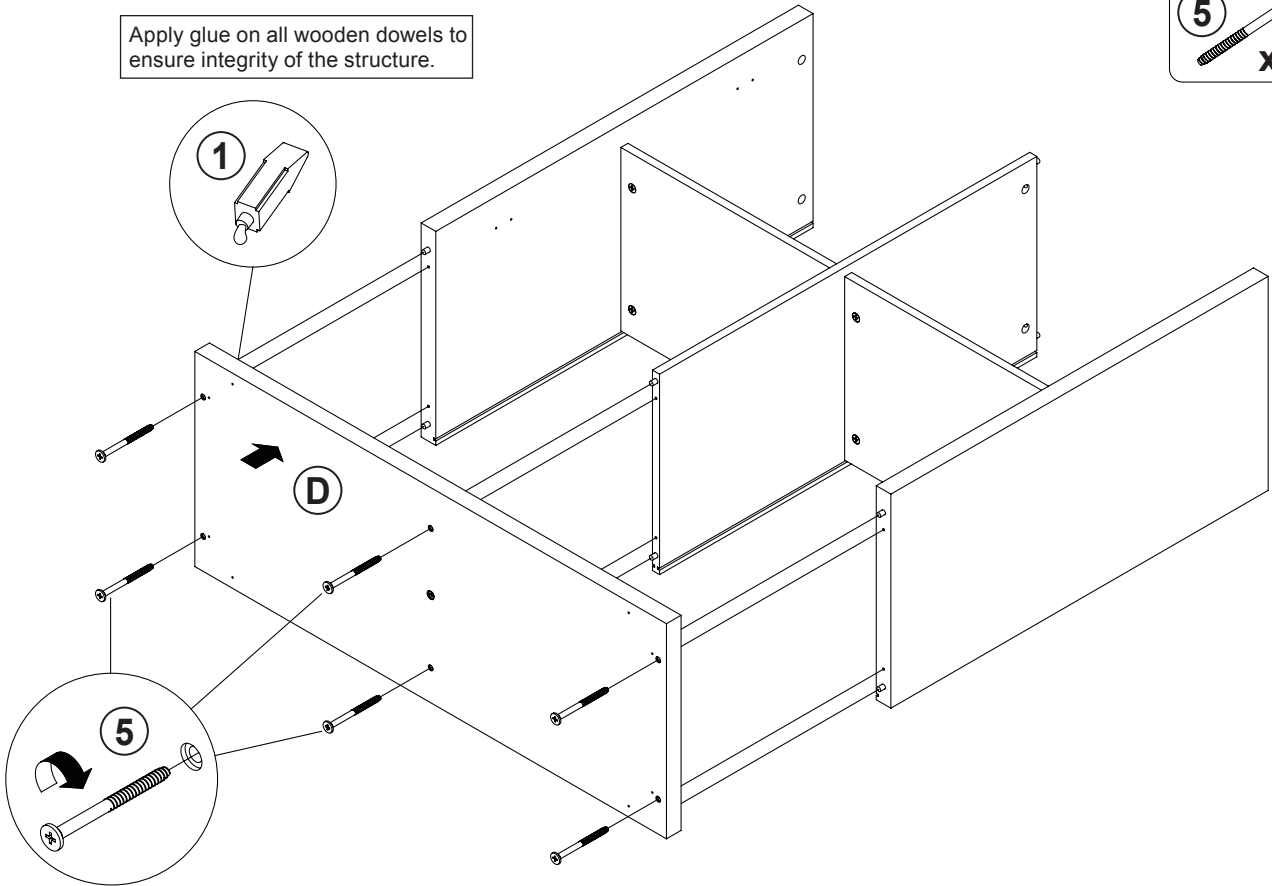
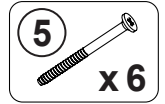
STEP 4



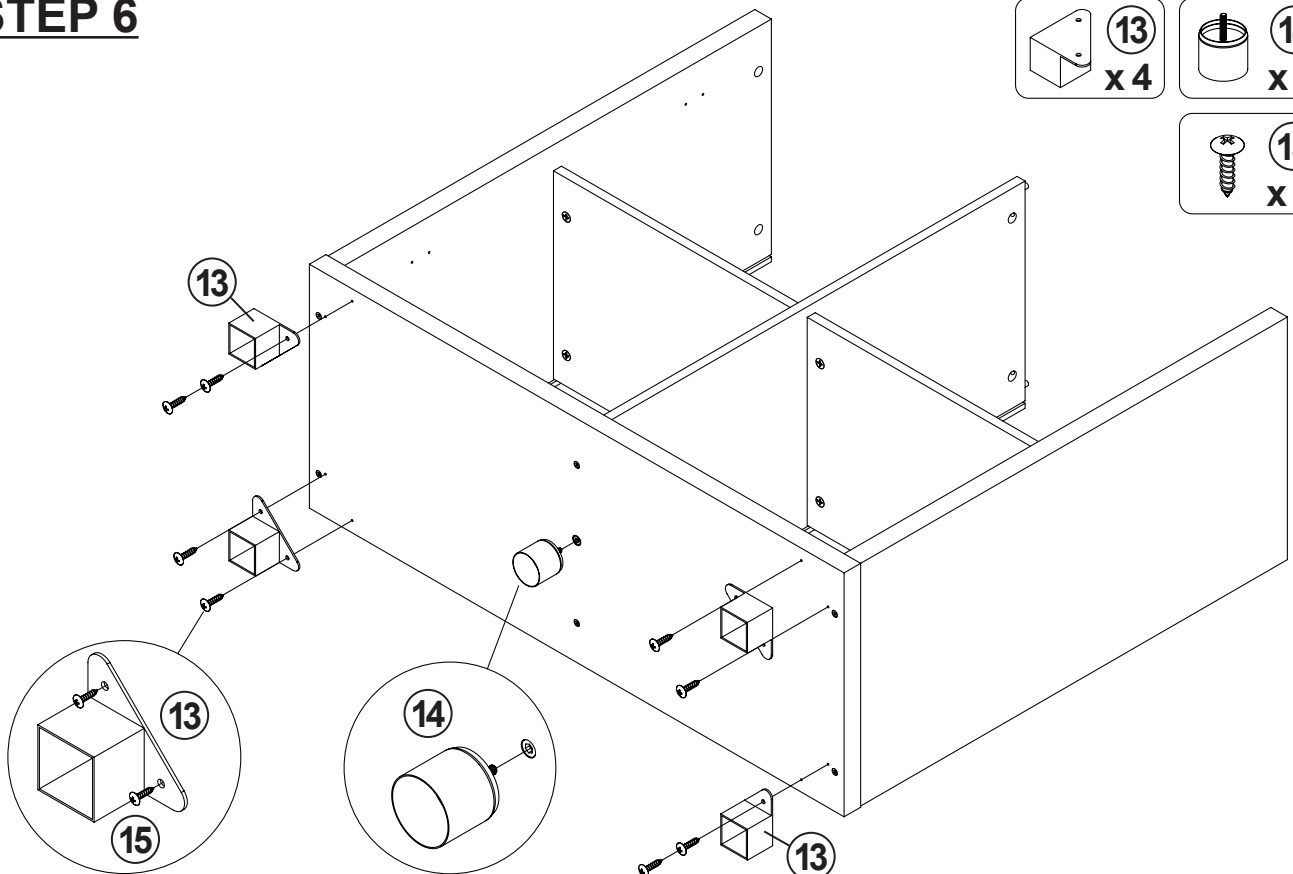
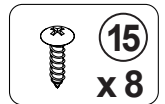
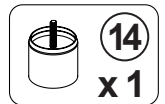
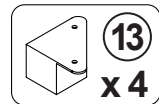
ITEM: 951056

STEP 5

Apply glue on all wooden dowels to ensure integrity of the structure.



STEP 6

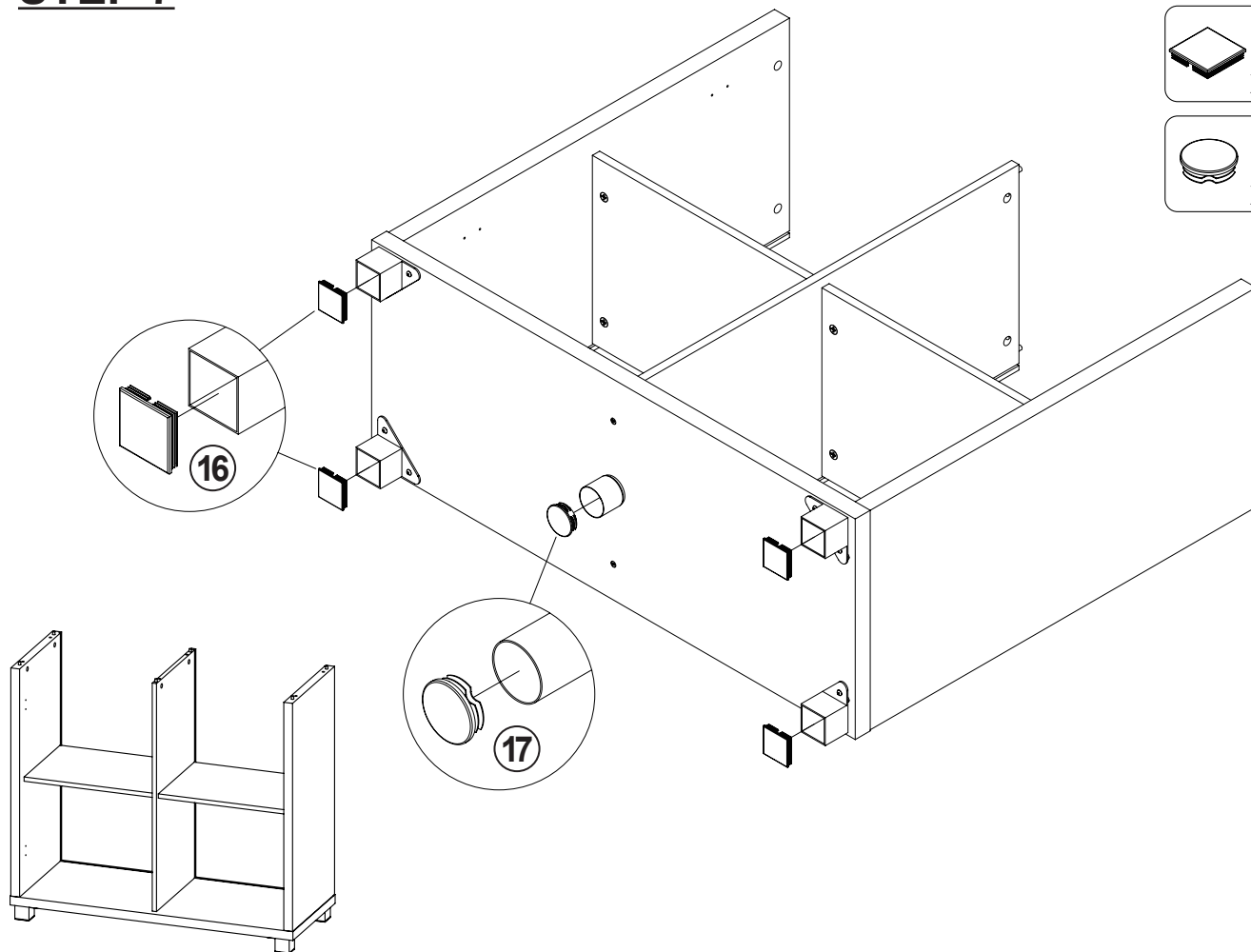
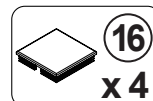


ITEM: **951056**

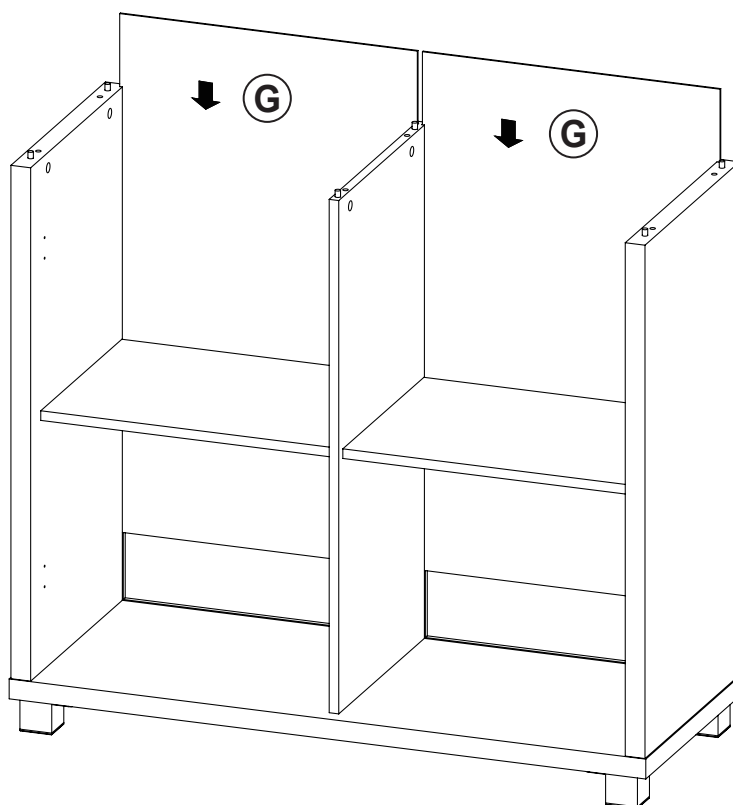
COASTER[®]

FINE FURNITURE

STEP 7

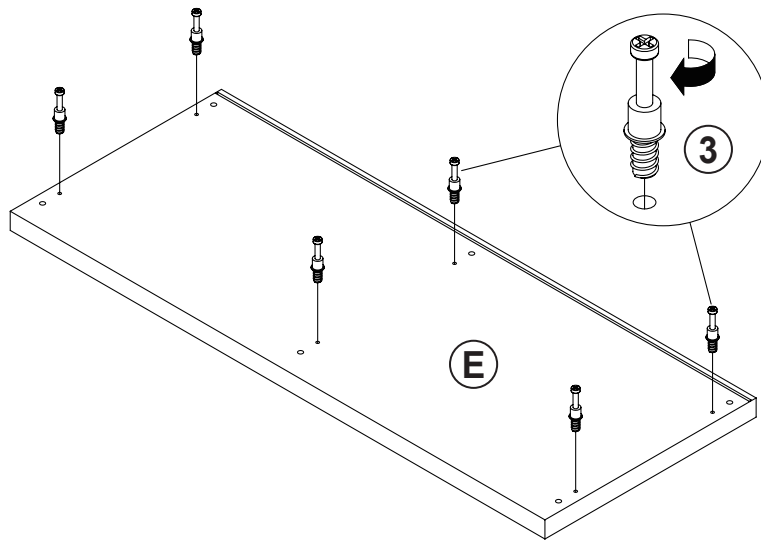
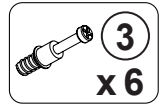


STEP 8

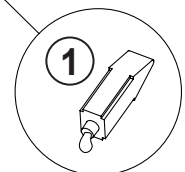
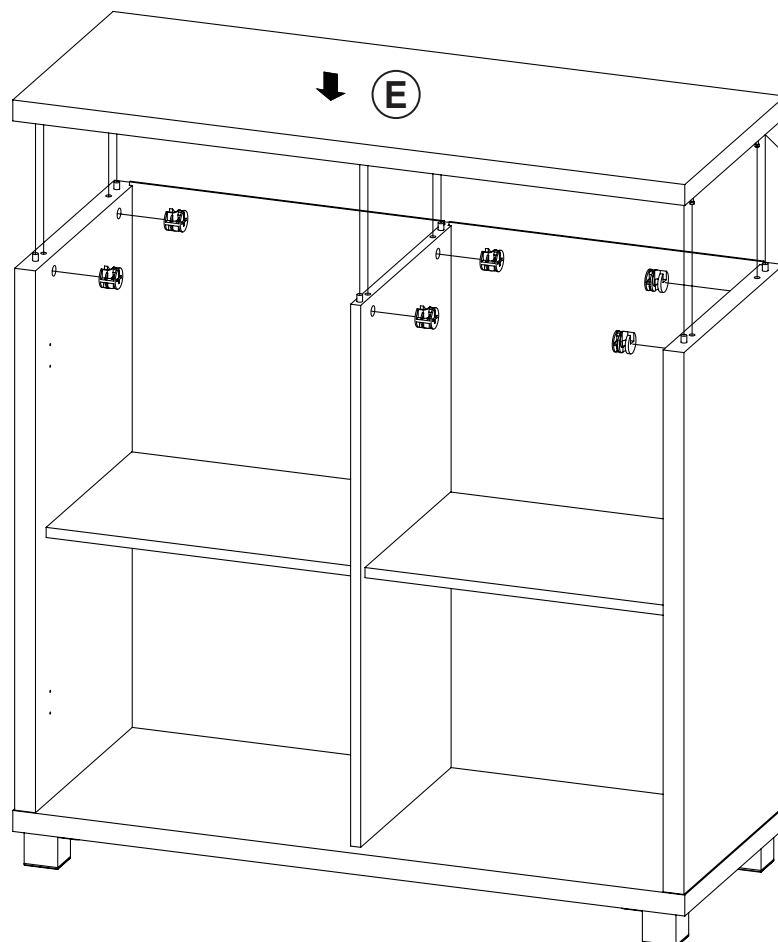
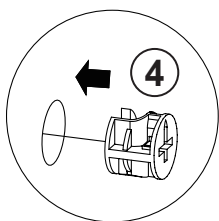
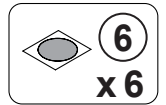


ITEM: 951056

STEP 9



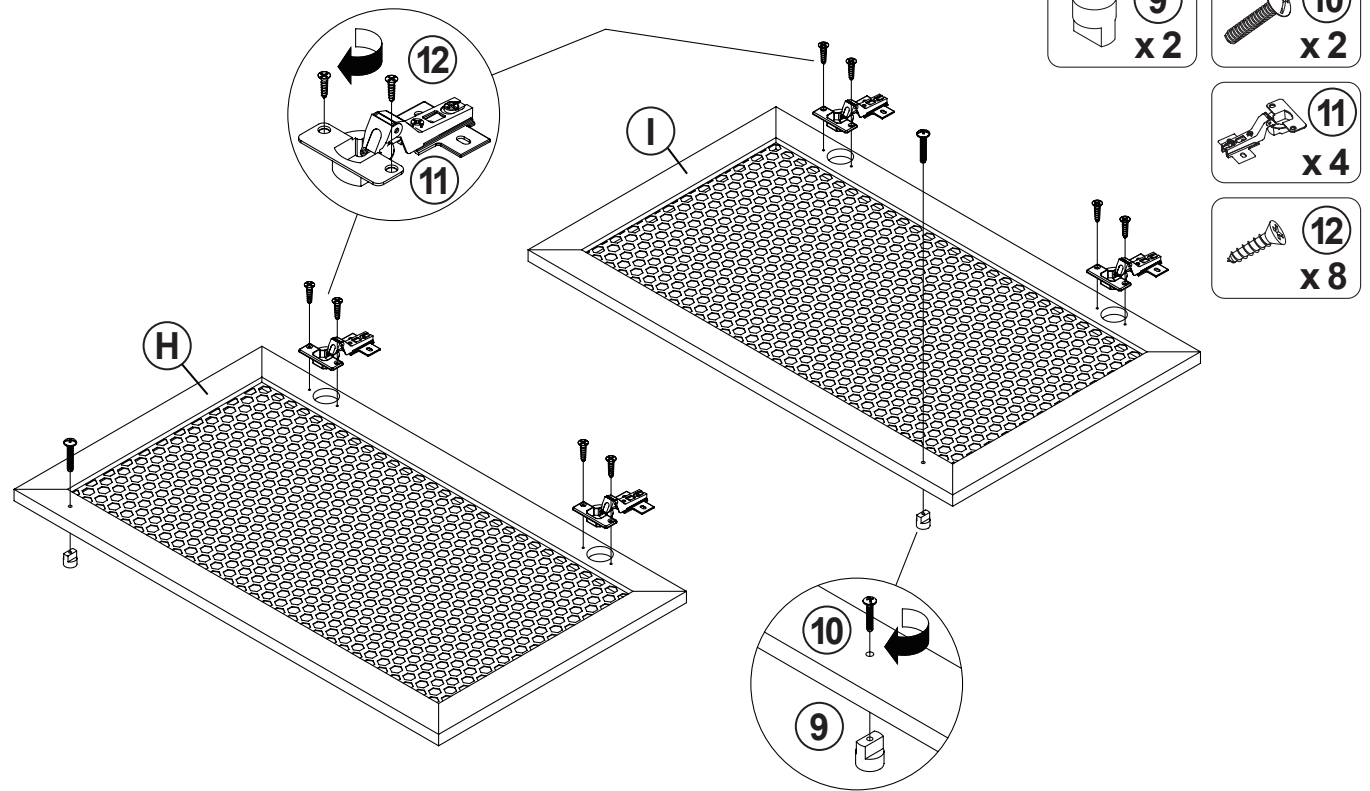
STEP 10



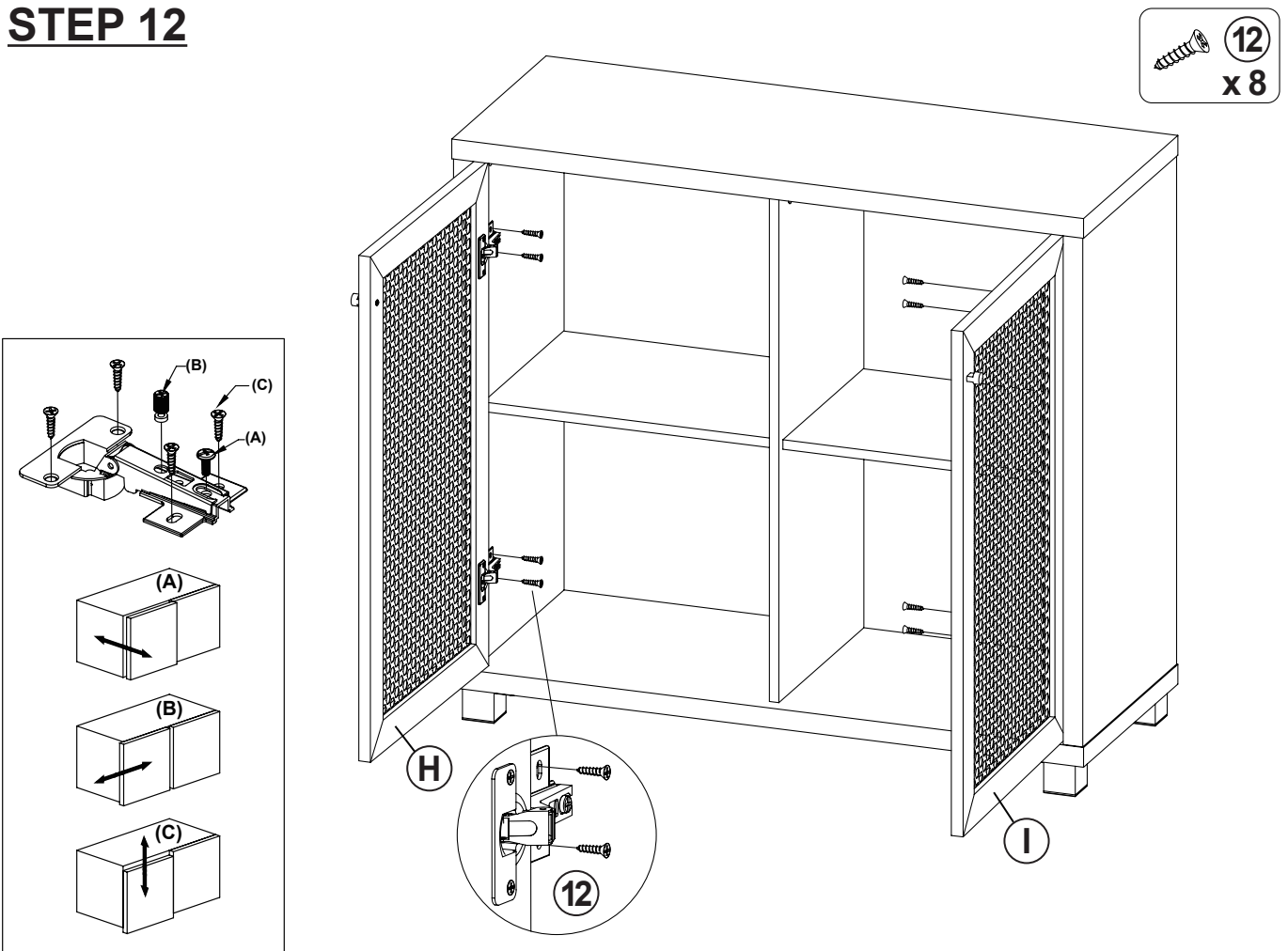
ITEM: 951056

COASTER
FINE FURNITURE

STEP 11



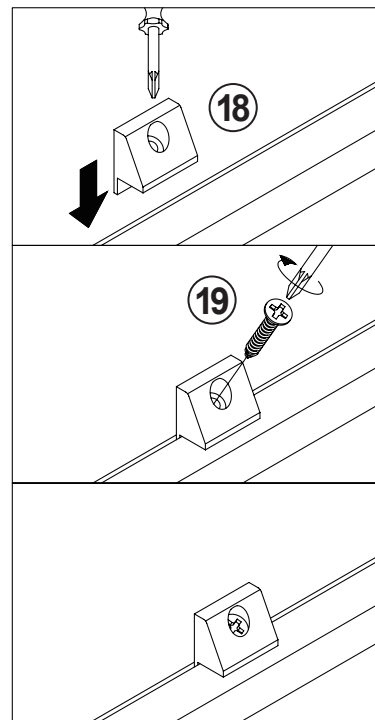
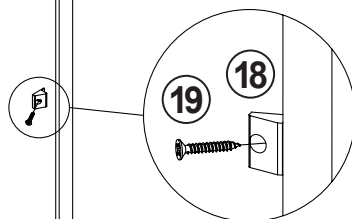
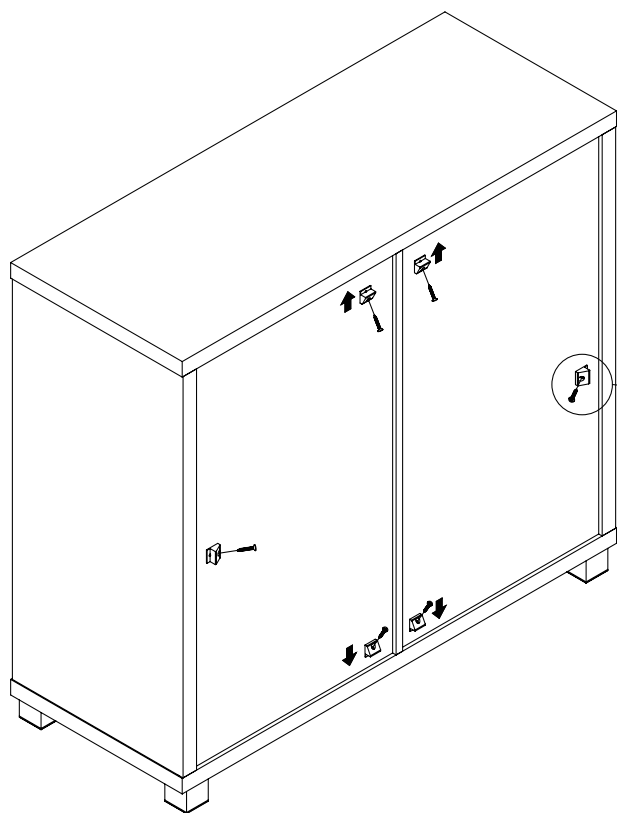
STEP 12



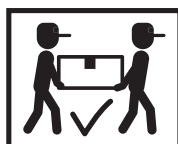
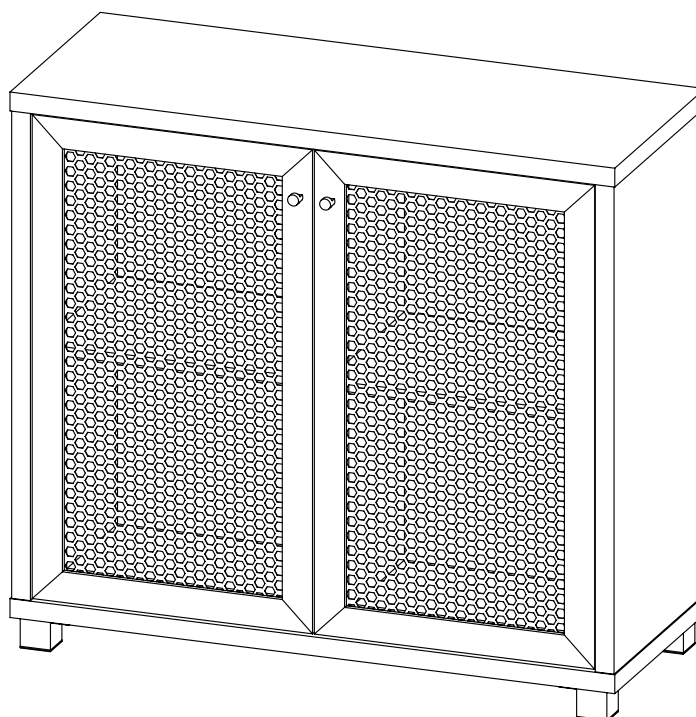
ITEM: 951056

COASTER
FINE FURNITURE

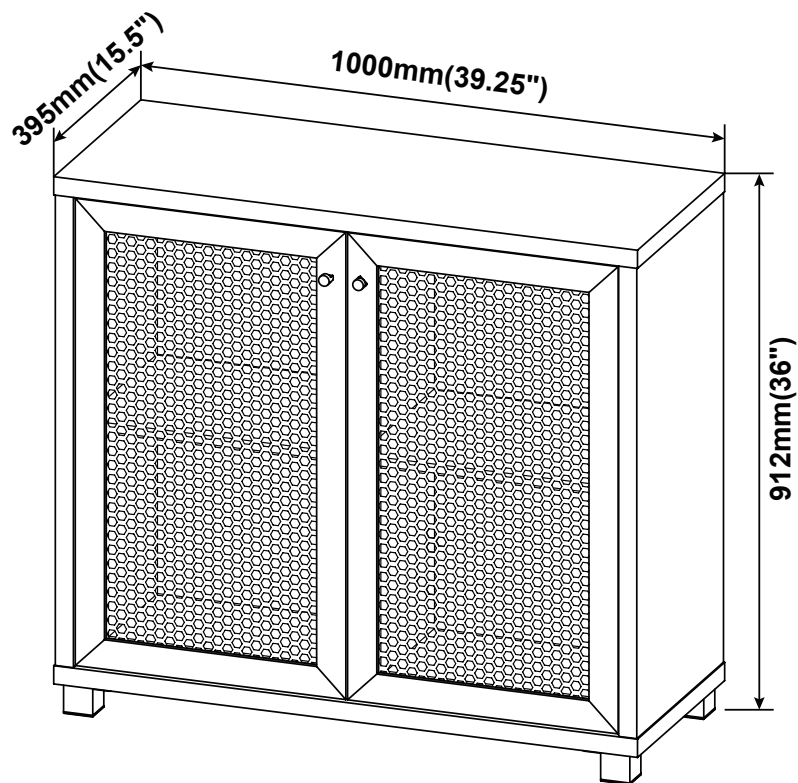
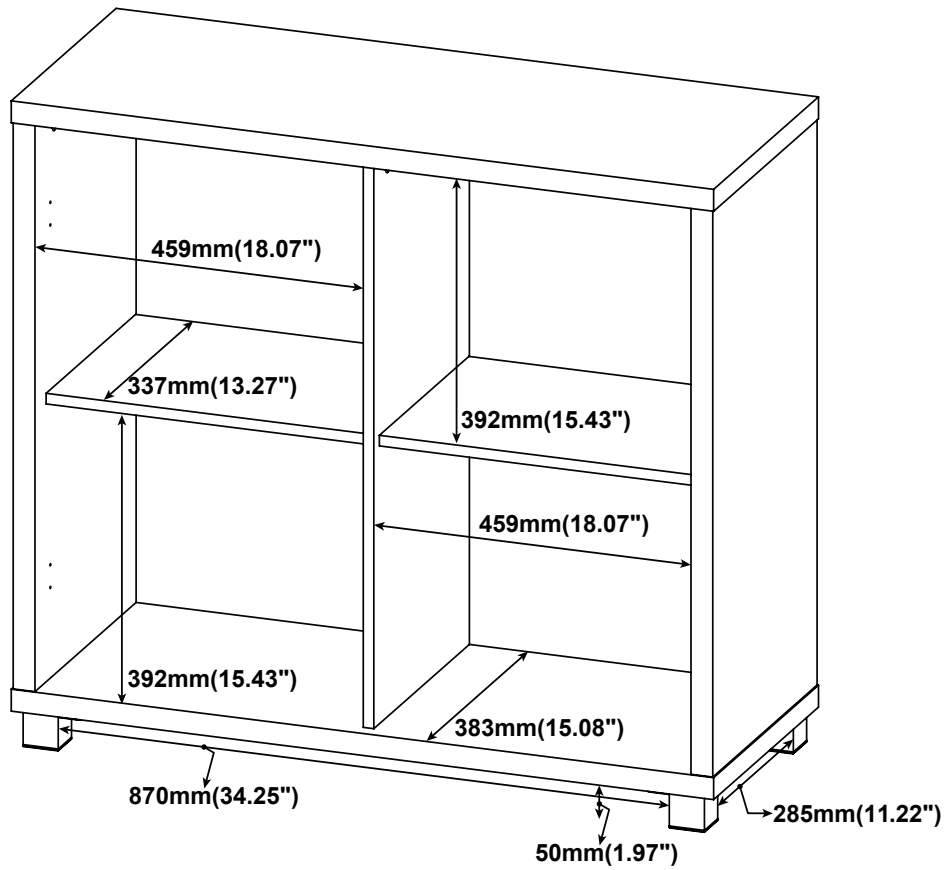
STEP 13



STEP 14
COMPLETE



ITEM:951056



Note : Dimension tolerance $\pm 5\%$

ANTI-TIPPING INSTALLMENT INSTRUCTIONS

FURNITURE TIPPING RESTRAINT

WARNING

Injury may result from tipping furniture.
This restraint may protect against tipping furniture.
Do not allow children to climb on furniture.
This restraint is not a substitute for proper adult supervision.
Failure to detach this restraint before moving the furniture
may result in injury and damage.

1. To attach the anti-tip strap, securely mount one end to the top of the case piece with the 5/8" screw.
2. Position the case piece against the wall in the desired location.
3. Pull the anti-tip strap taut and mark the position of where you will secure the other end on the wall.
4. Drill a 1-1/4" hole in the spot you marked.
5. Tap in plastic wall plug.
6. Fasten anti-tip strap with wall screw provided.

(Please install the anti-tipping kit in the middle of the case piece if only have one set of anti-tipping kit.)

