



## ASSEMBLY INSTRUCTIONS COASTER FINE FURNITURE



# 651552P POWER CHAIR

REVISION 0 : 11/12/2019  
REVISION 1 : 01/09/2020

PAGE 1 OF 4

COASTERFURNITURE.COM

# ITEM: 651552P

## ASSEMBLY INSTRUCTIONS



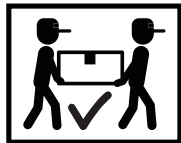
### ASSEMBLY TIPS:

1. Remove hardware from box and sort by size.
2. Please check to see that all hardware and parts are present prior to start of assembly.
3. Please follow attached instructions in the same sequence as numbered to assure fast & easy assembly.



### WARNING!

1. Don't attempt to repair or modify parts that are broken or defective. Please contact the store immediately.
2. This product is for home use only and not intended for commercial establishments.



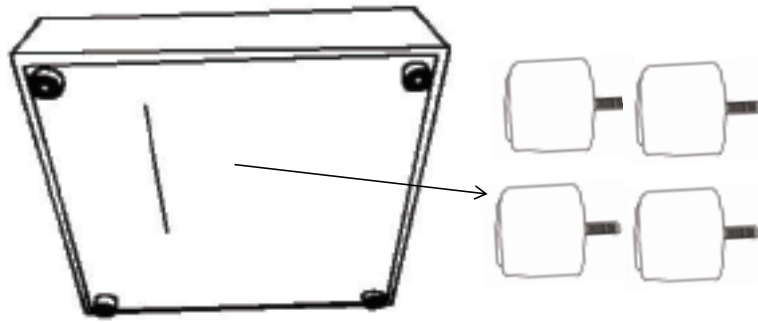
ASSEMBLY TIME

5 MINUTES

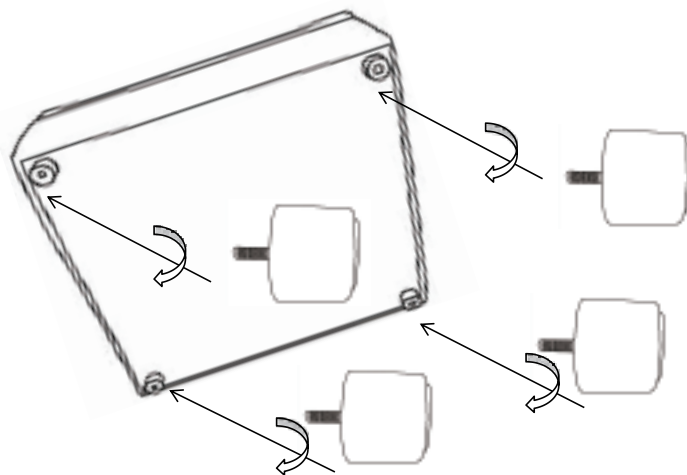
### PARTS IDENTIFICATION

	PART NAME	FIGURE	QUANTITY
A	CHAIR BASE		1PC
B	LEG		4PCS
C	PILLOW		2PCS
D	POWER CABLE		1PC

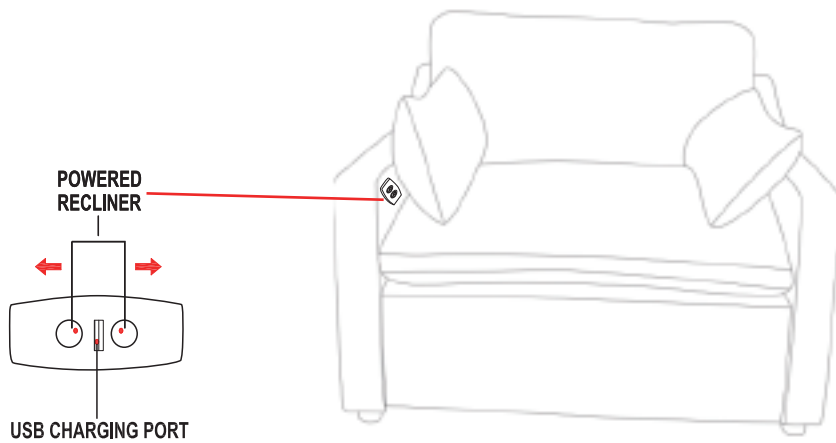
STEP 1



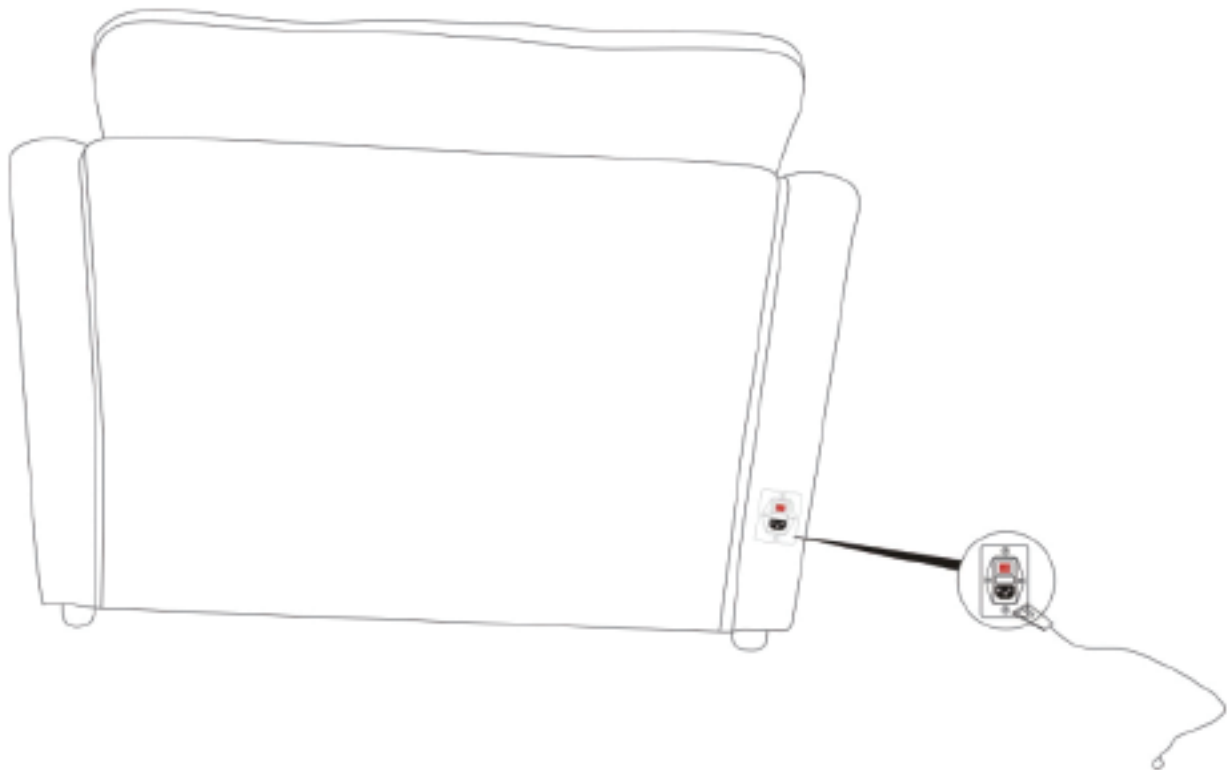
STEP 2

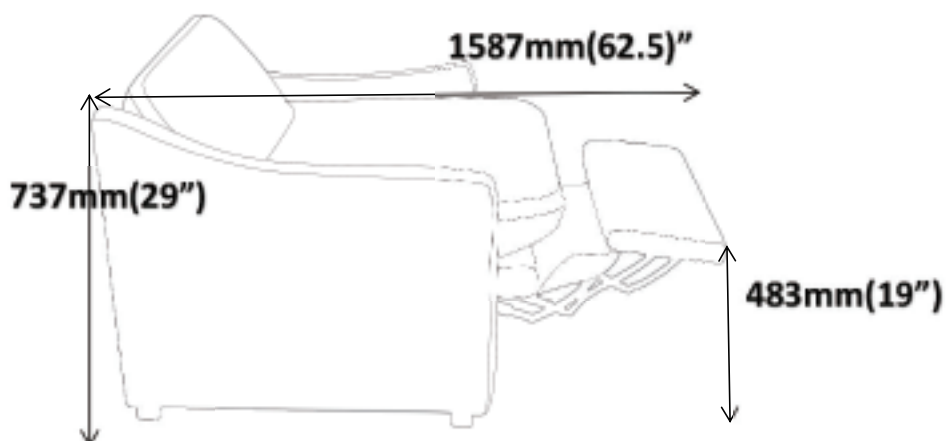
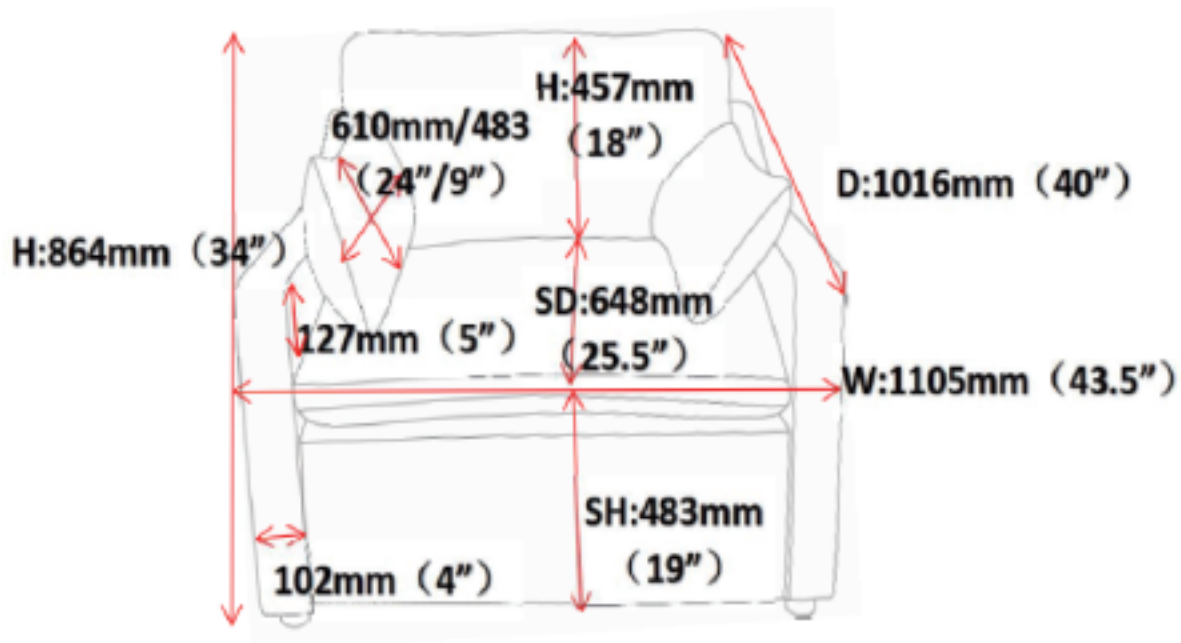


STEP 3



**ITEM: 651552P**  
**ASSEMBLY INSTRUCTIONS STEP 2**





Note : Dimension tolerance  $\pm 5\%$

