

ASSEMBLY INSTRUCTIONS
COASTER FINE FURNITURE



Fine Furniture for every stage of life

805801
Ladder Desk

ITEM:805801



ASSEMBLY INSTRUCTIONS

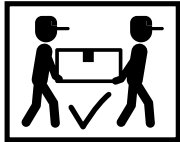
ASSEMBLY TIPS:

1. Remove hardware from box and sort by size.
2. Please check to see that all hardware and parts are present prior to start of assembly.
3. Please follow attached instructions in the same sequence as numbered to assure fast & easy assembly.



WARNING !

1. Don't attempt to repair or modify parts that are broken or defective. Please contact the store immediately.
2. This product is for home use only and not intended for commercial establishment.



ASSEMBLY TIME

30 MINUTE

PARTS IDENTIFICATION

A LEFT SIDE PANEL		1PC	I RIGHT SLIDE PANEL		1PC
B RIGHT SIDE PANEL		1PC	J TOP PANEL		1PC
C UPPER BRACE		2PCS	K BOTTOM PANEL		1PC
D LOWER BRACE		1PC	L DRAWER REINFORCEMENT PANEL		1PC
E FRONT BRACE		1PC	M DRAWER BOTTOM PANEL		1PC
F SHELF PANEL		2PCS	N DRAWER BACK PANEL		1PC
G BACK PANEL		1PC	O DRAWER FRONT PANEL		1PC
H LEFT SLIDE PANEL		1PC	P DRAWER LEFT PANEL		1PC
			Q DRAWER RIGHT PANEL		1PC







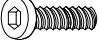



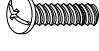


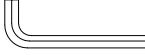

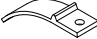
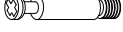

NOTE:

Phillips head screw driver is required in the assembly process; however, manufacturer does not provide this item.

ITEM: **805801**



HARDWARE IDENTIFICATION

1	SCREW (M4x15MM - BLK)		11PCS	10	CAM LOCK (ϕ 13x10MM - BLK)		15PCS
2	SCREW (M4x38MM - BLK)		7PCS	11	WOODEN DOWEL (ϕ 8.0X30MM)		18PCS
3	SCREW (M4x25MM -BLK)		4PCS	12	WOODEN DOWEL (ϕ 6.0X30MM)		2PCS
4	BOLT (1/4"x1/2" - BLK)		22PCS	13	SCREW (M4x50MM -BLK)		1PC
5	BOLT (1/4"x1" - BLK)		3PCS	14	BRACKET		2PCS
6	BOLT (M4x19MM - BLK)		1PC	15	RESTRAINT STRAP		1PC
7	WASHER (ϕ 16MM - BLK)		22PCS	16	ALLEN KEY (4x22x60mm)		1PC
8	WASHER (ϕ 12MM- BLK)		11PCS	17	PLASTC 55x24mm		1PC
9	CAM BOLT (M6x28MM - WHT)		15PCS	18	HANDLE		1PC

NOTE:

Phillips head screw driver is required in the assembly process; however, manufacturer does not provide this item.

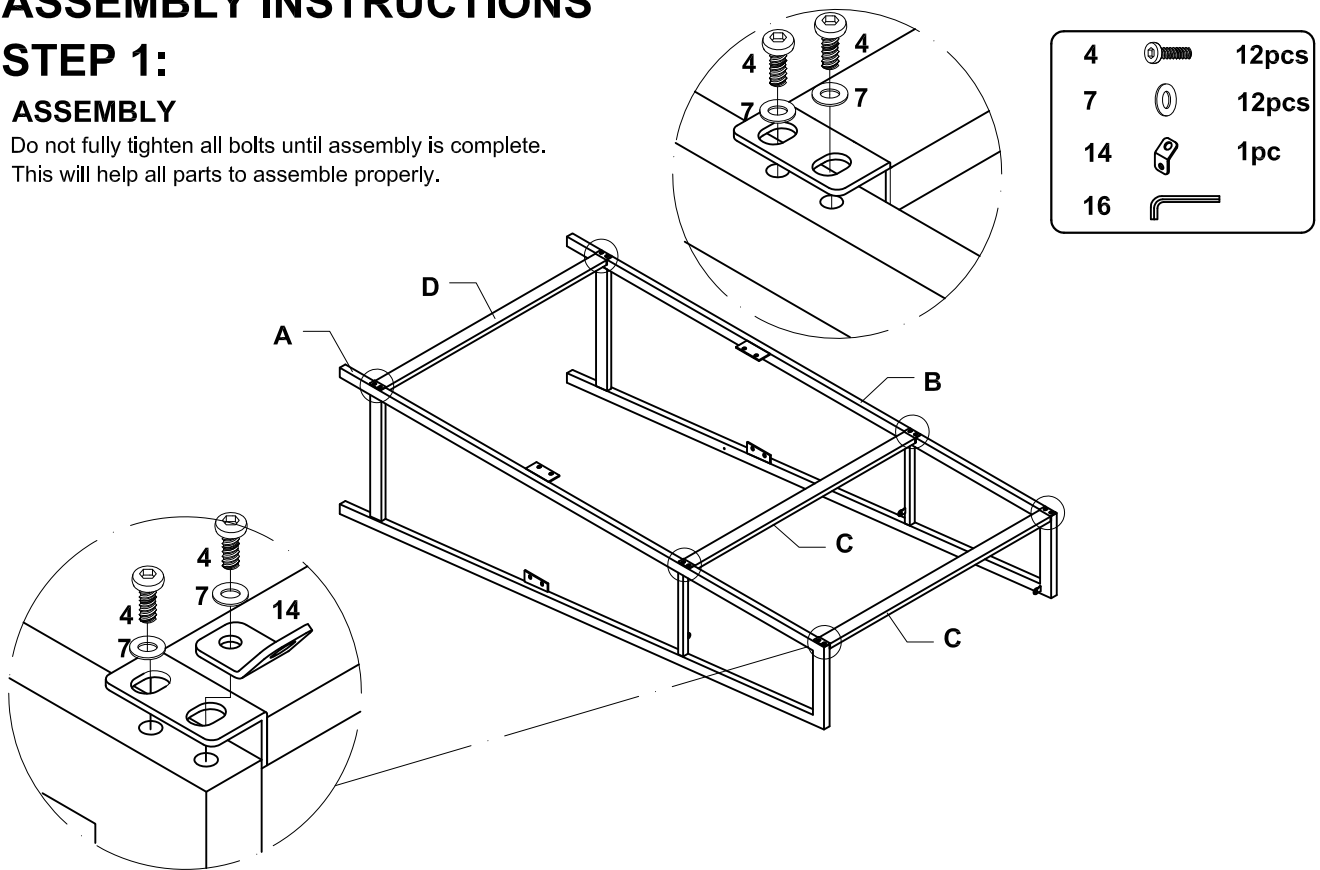
ITEM: **805801**

ASSEMBLY INSTRUCTIONS

STEP 1:

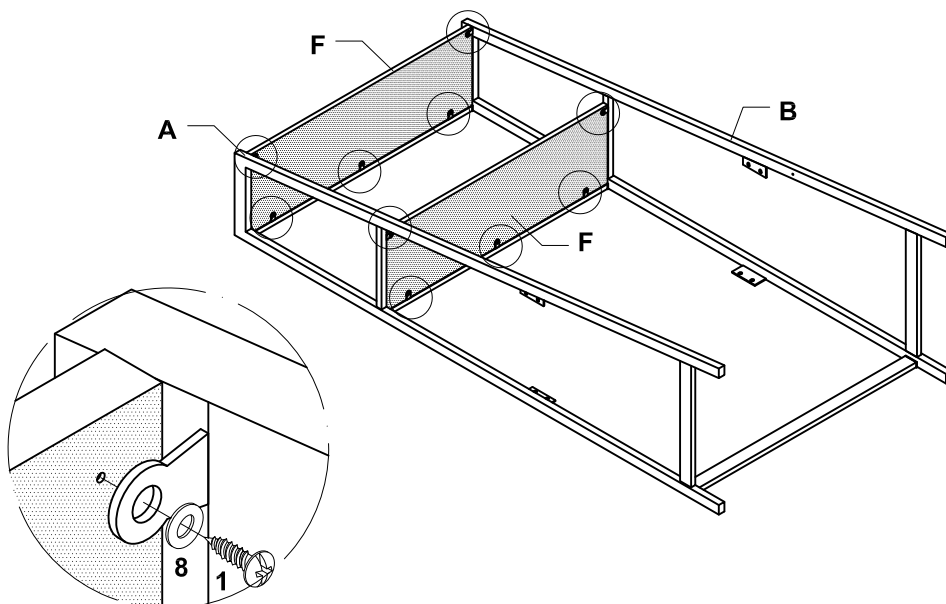
ASSEMBLY

Do not fully tighten all bolts until assembly is complete.
This will help all parts to assemble properly.



STEP 2:

1		10pcs
8		10pcs



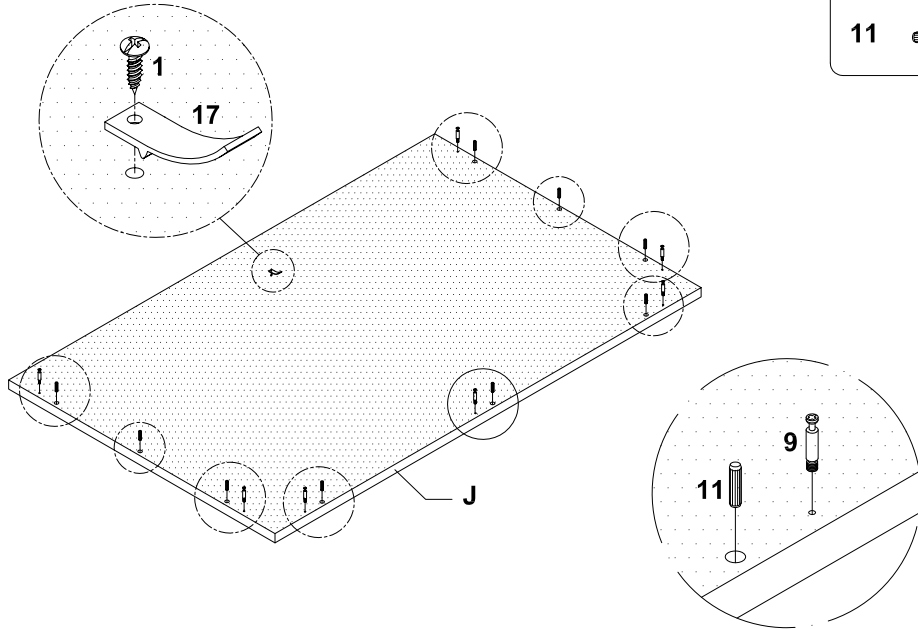
ITEM: **805801**

ASSEMBLY INSTRUCTIONS

STEP 3:

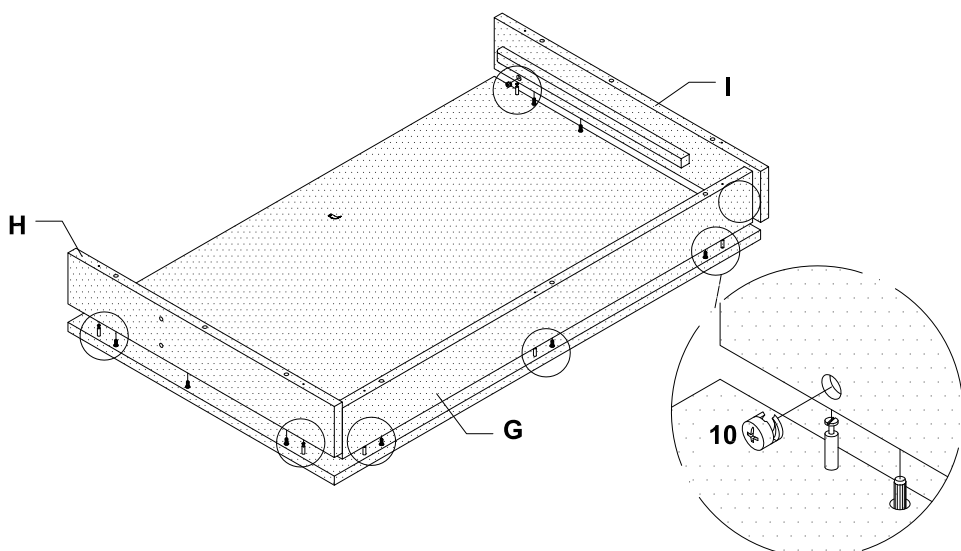


1		1pc
17		1pc
9		7pcs
11		9pcs



STEP 4:

10		7pcs
----	--	------



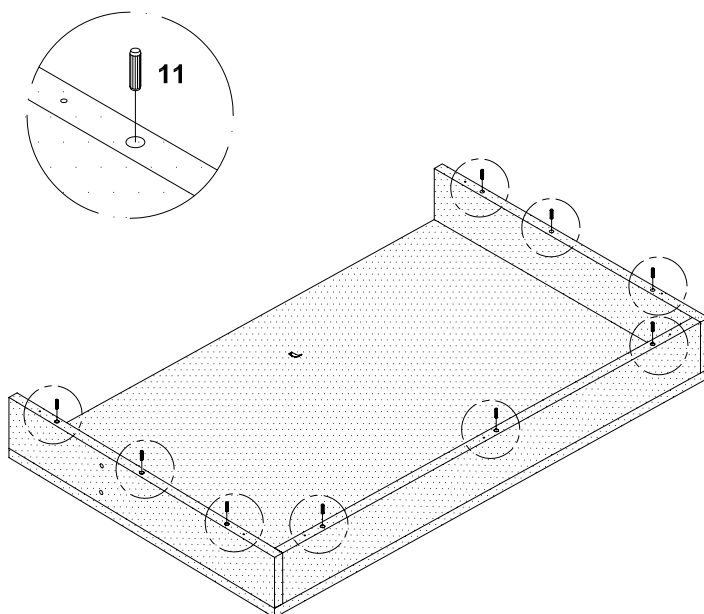
ITEM: **805801**

ASSEMBLY INSTRUCTIONS

STEP 5:

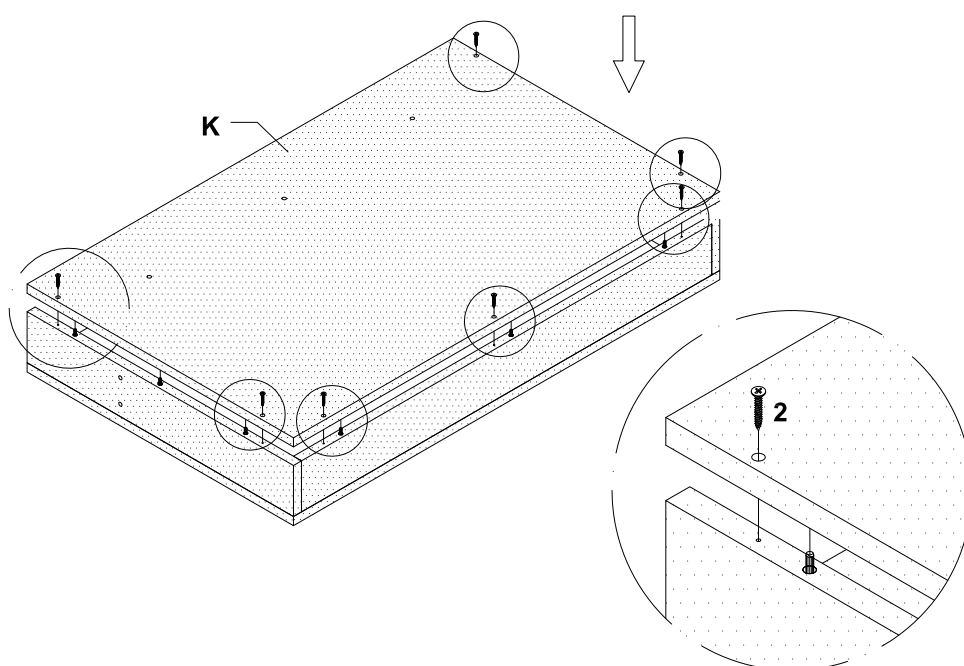


11  9pcs



STEP 6:

2  7pcs



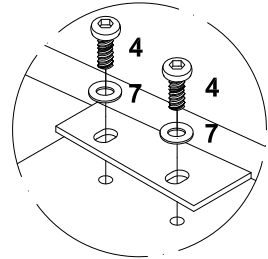
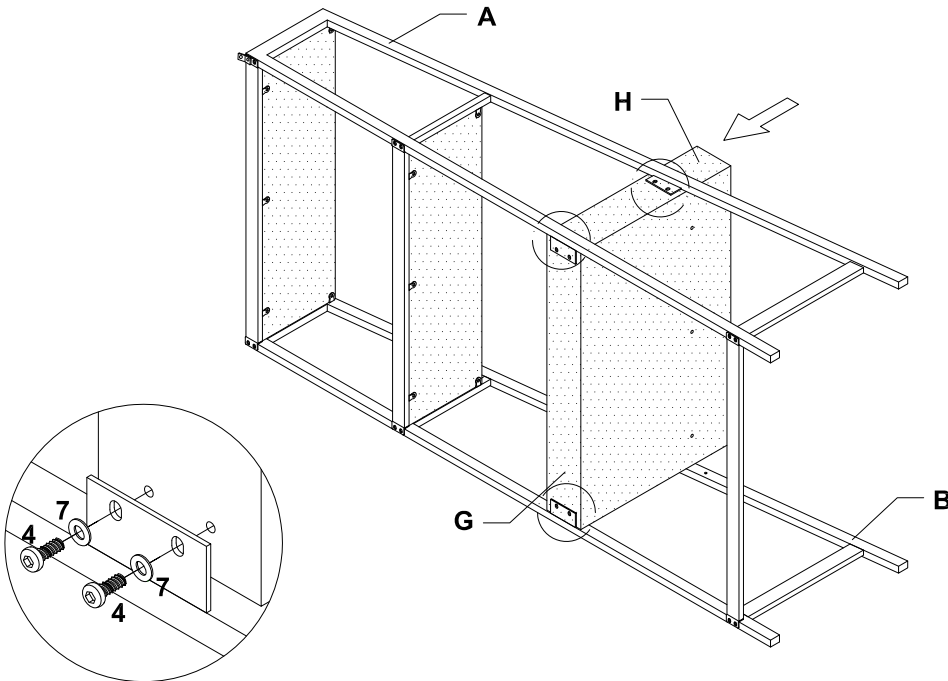
ITEM: **805801**

ASSEMBLY INSTRUCTIONS

STEP 7:

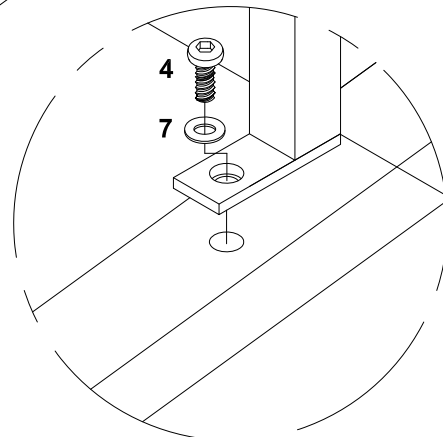
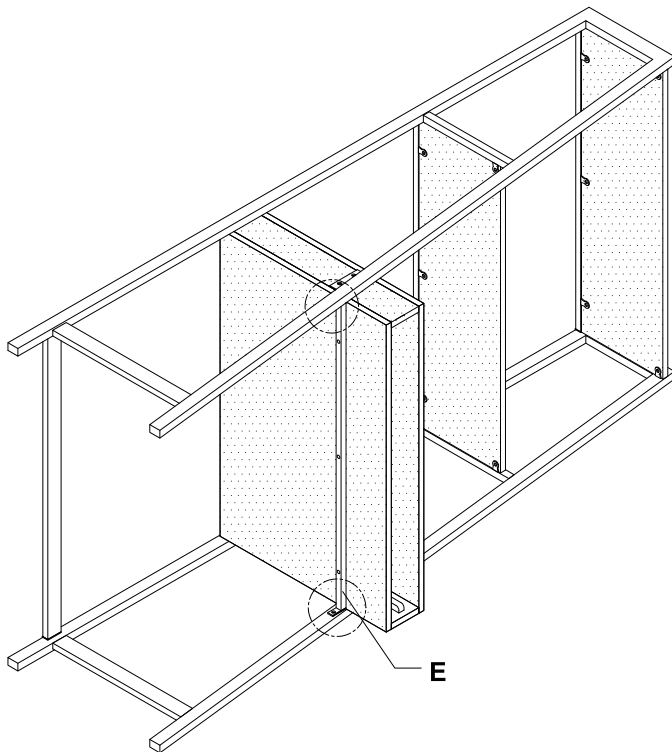


4		6 pcs
7		6 pcs
16		



STEP 8:

4		2 pcs
7		2 pcs
16		



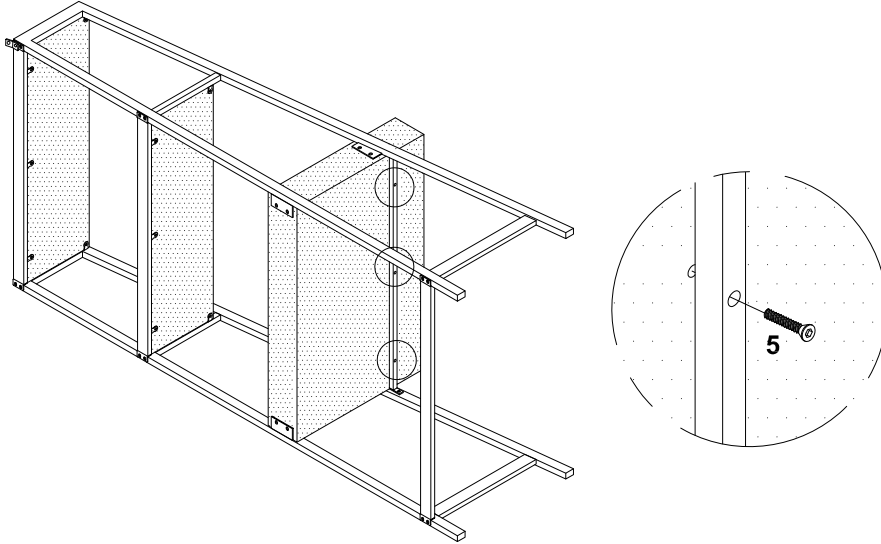
ITEM: **805801**

ASSEMBLY INSTRUCTIONS

STEP 9:

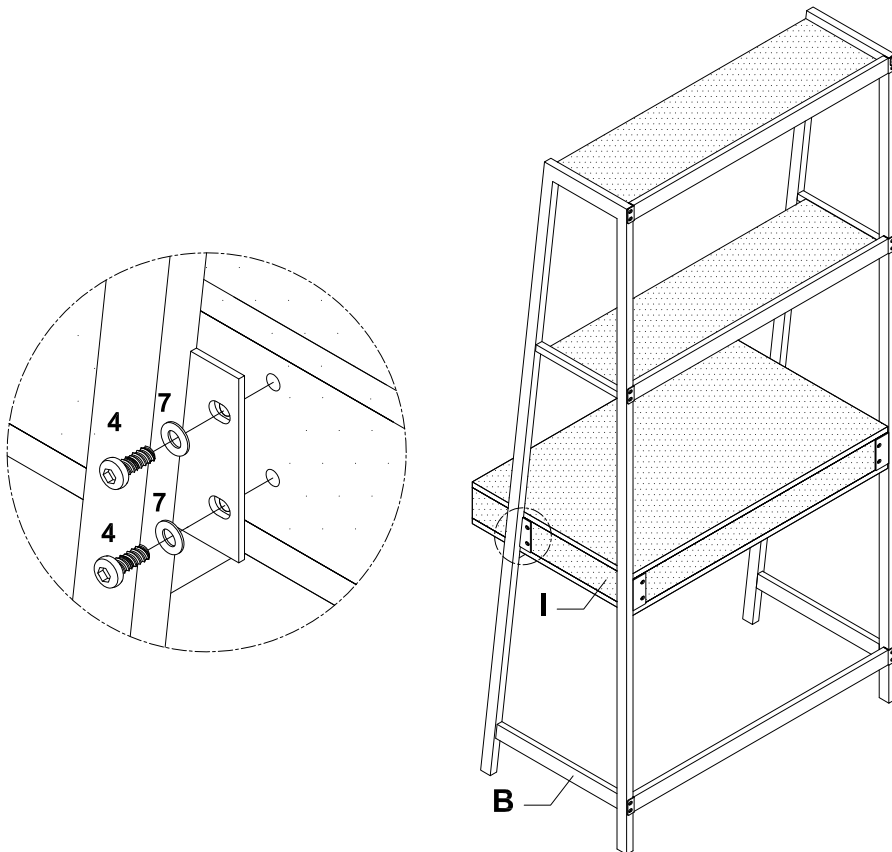


5		3pcs
16		



STEP 10:

4		2pcs
7		2pcs
16		



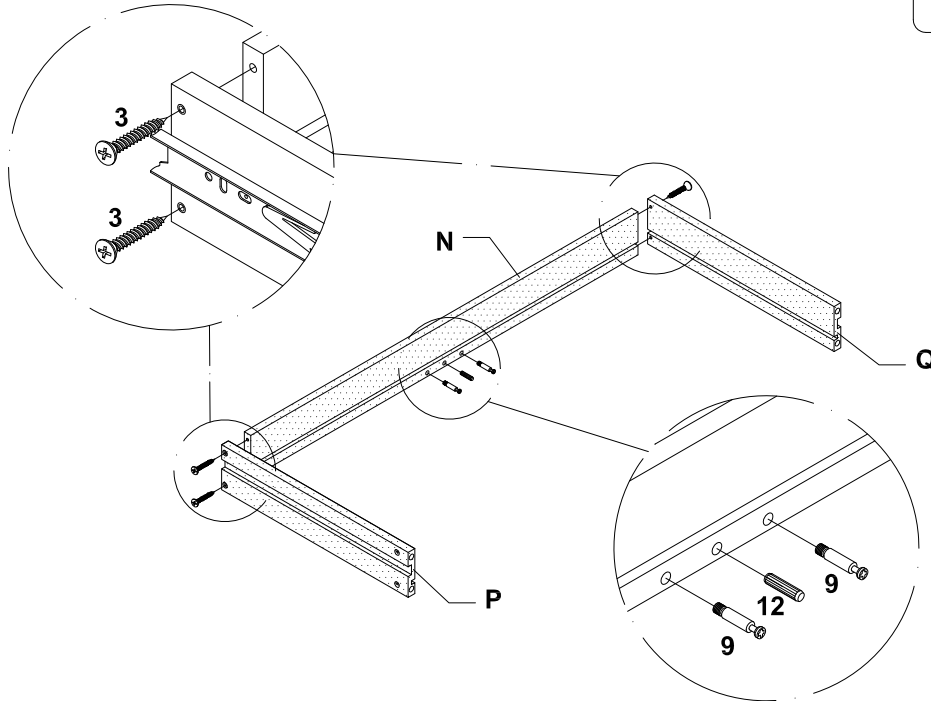
ITEM: **805801**

ASSEMBLY INSTRUCTIONS

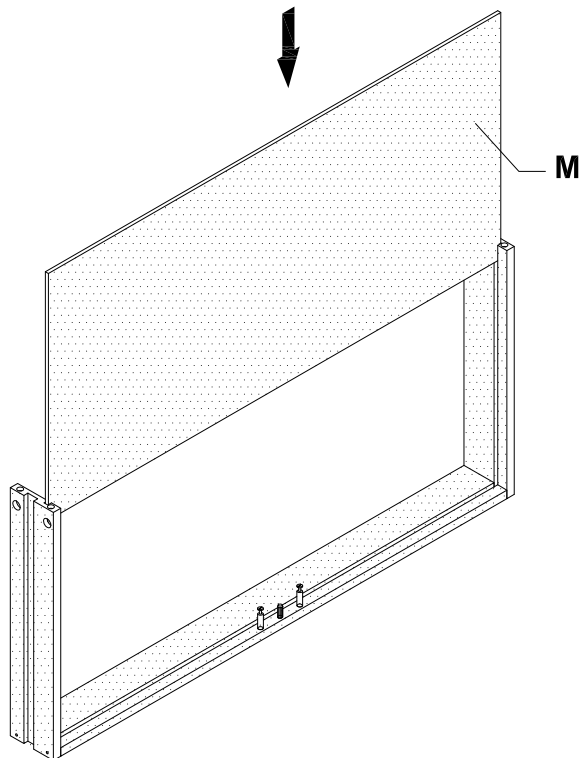
STEP 11:



3		4pcs
9		2pcs
12		1pc



STEP 12:



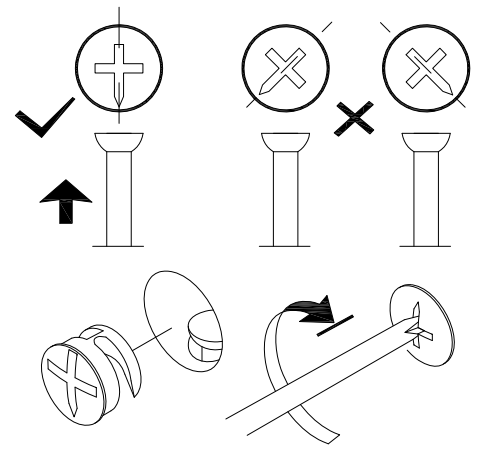
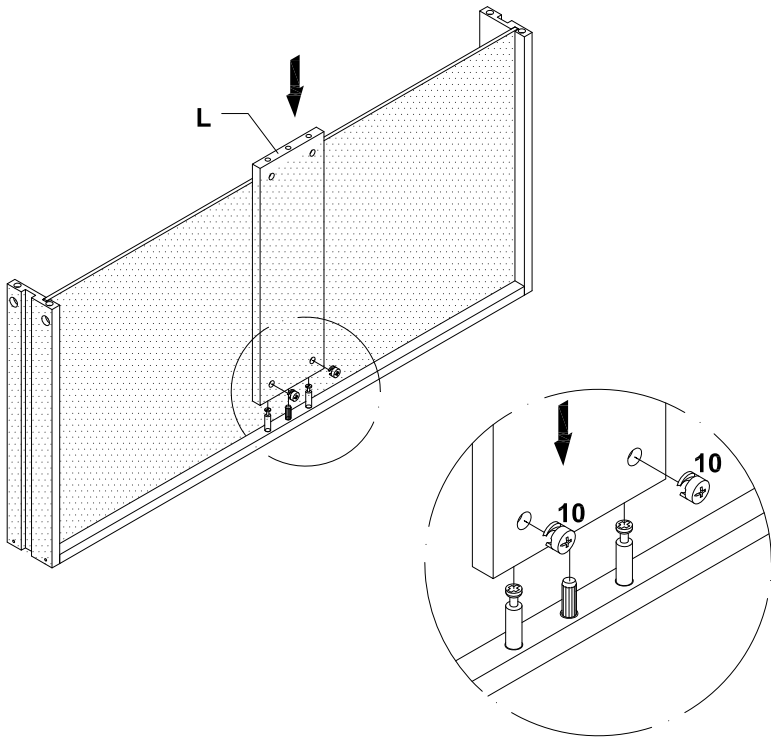
ITEM: **805801**

ASSEMBLY INSTRUCTIONS

STEP 13:

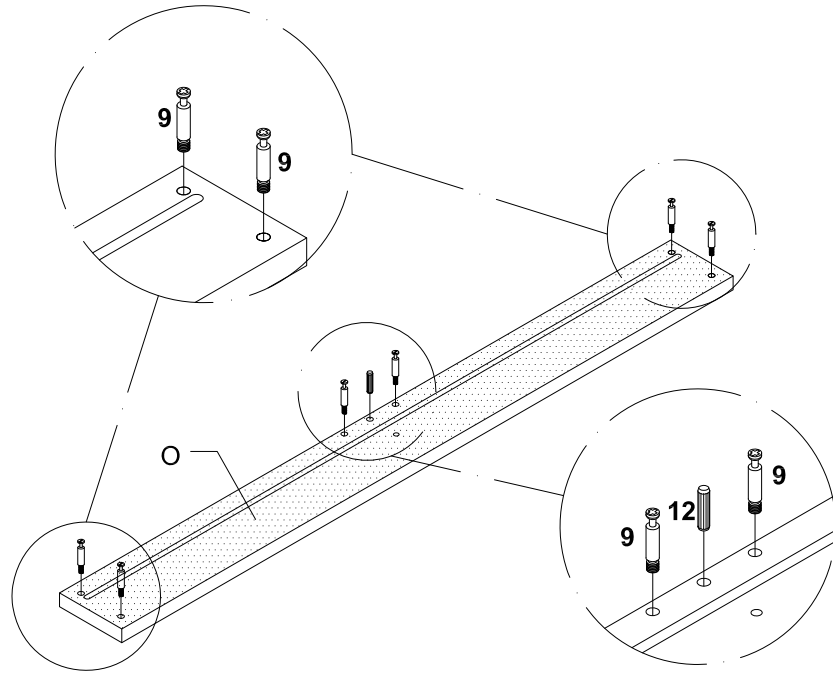


10		2pcs
----	--	------



STEP 14:

9		6pcs
12		1pc



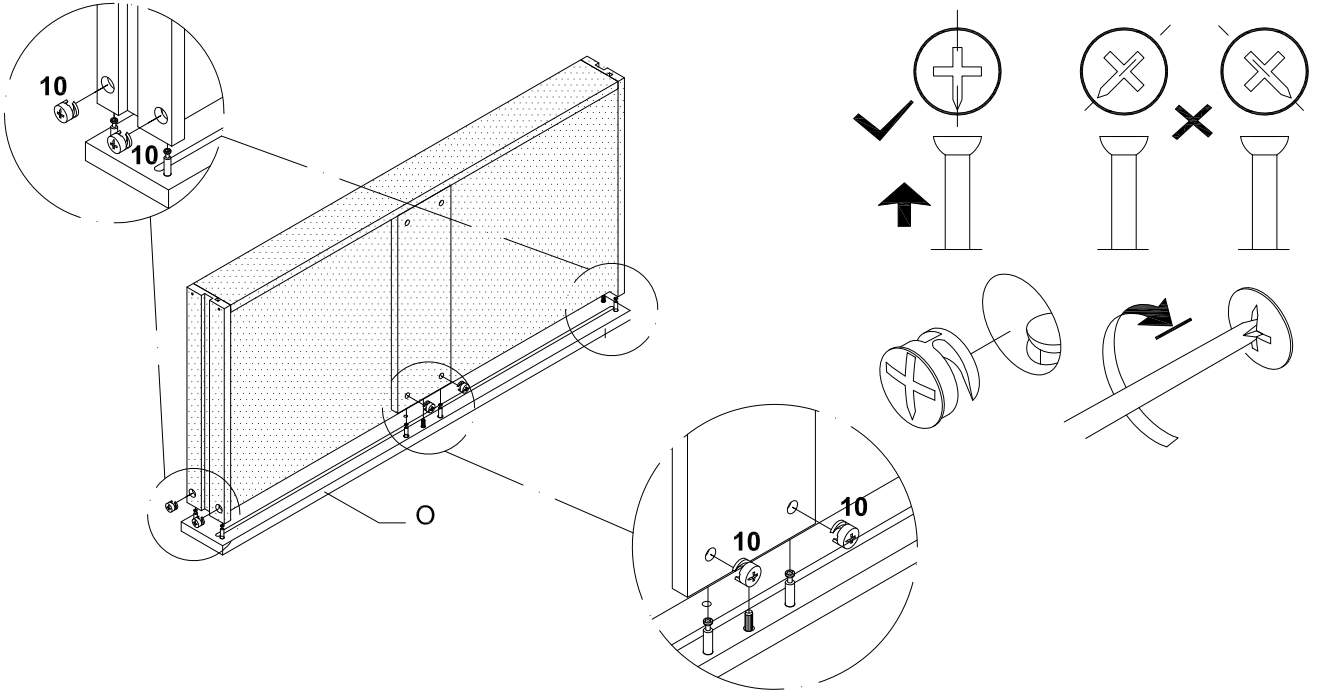
ITEM: **805801**

ASSEMBLY INSTRUCTIONS

STEP 15:

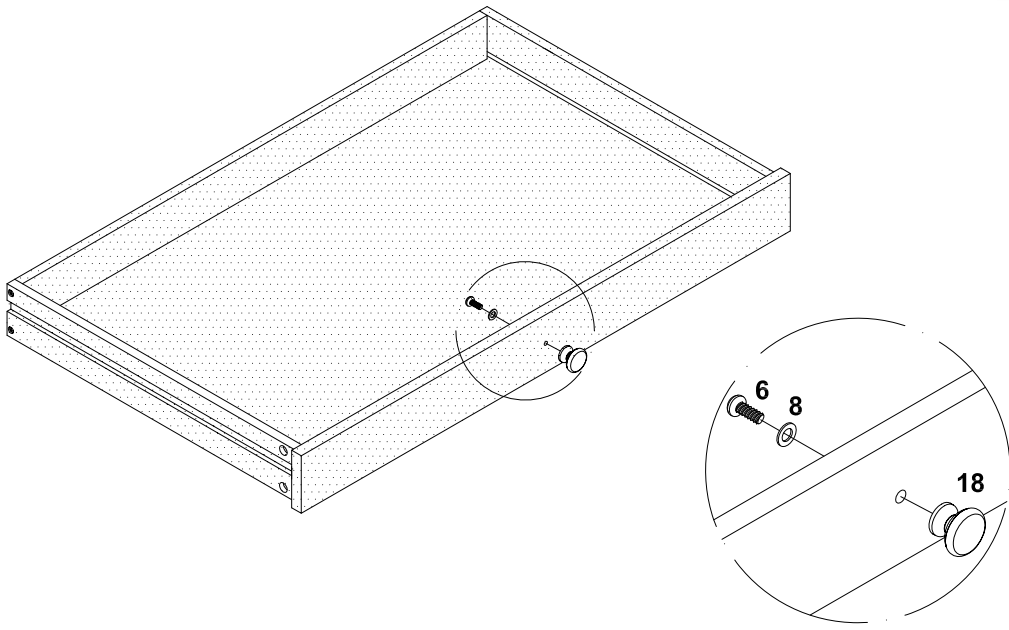


10		6pcs
----	--	------



STEP 16:

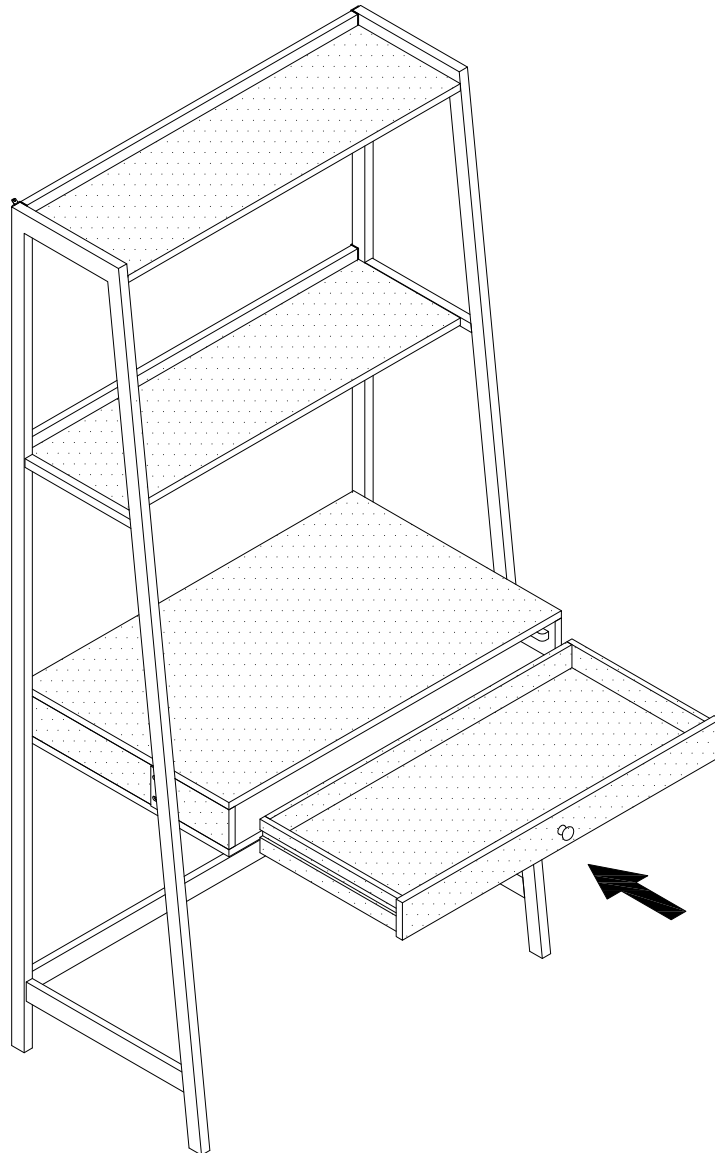
6		1pc
8		1pc
18		1pc



ITEM: **805801**

ASSEMBLY INSTRUCTIONS

STEP 17:



ITEM: **805801**

COASTER
FINE FURNITURE

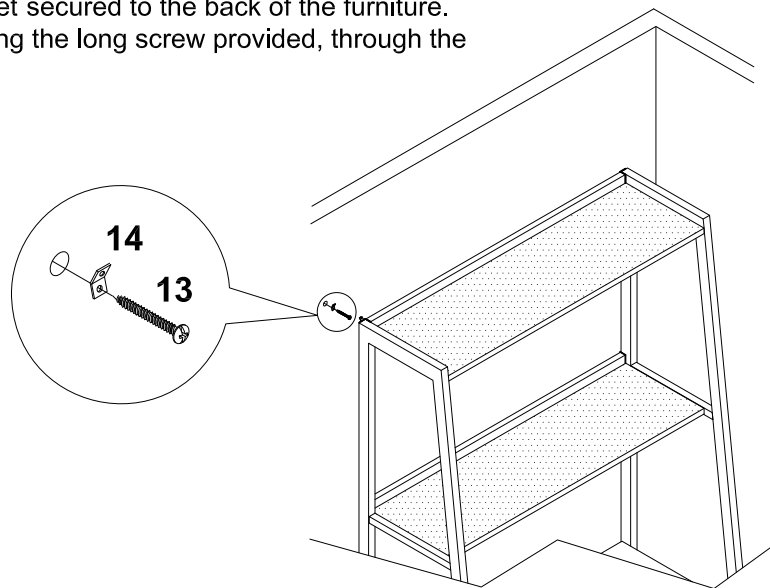
ANTI-TIPPING INSTALLMENT INSTRUCTIONS FURNITURE TIPPING RESTRAINT

WARNING

Injury may result from tipping furniture.
This restraint may protect against tipping furniture.
Do not allow children to climb on furniture.
This restraint is not a substitute for proper adult supervision.
Failure to detach this restraint before moving the furniture may result in injury and damage.

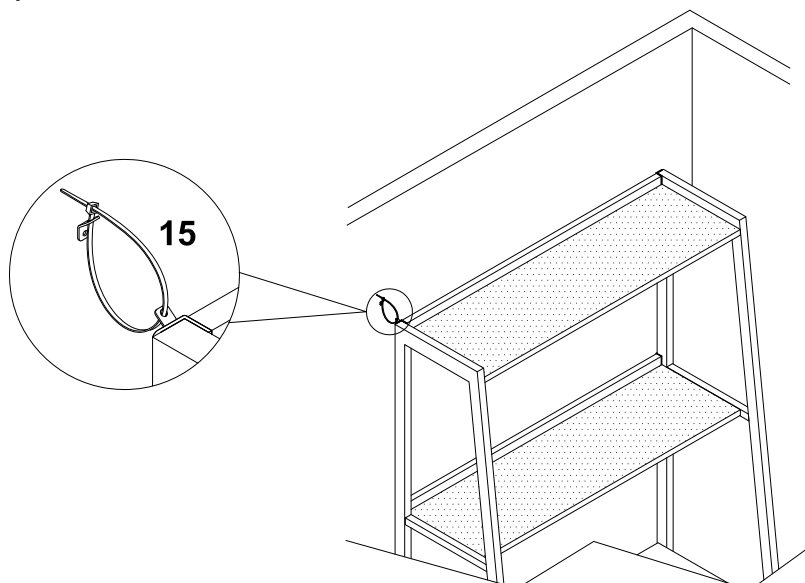
STEP 1

Locate the bracket on the wall over a wall stud and two inches below the mounting bracket secured to the back of the furniture. Attach to the wall stud using the long screw provided, through the smaller hole.



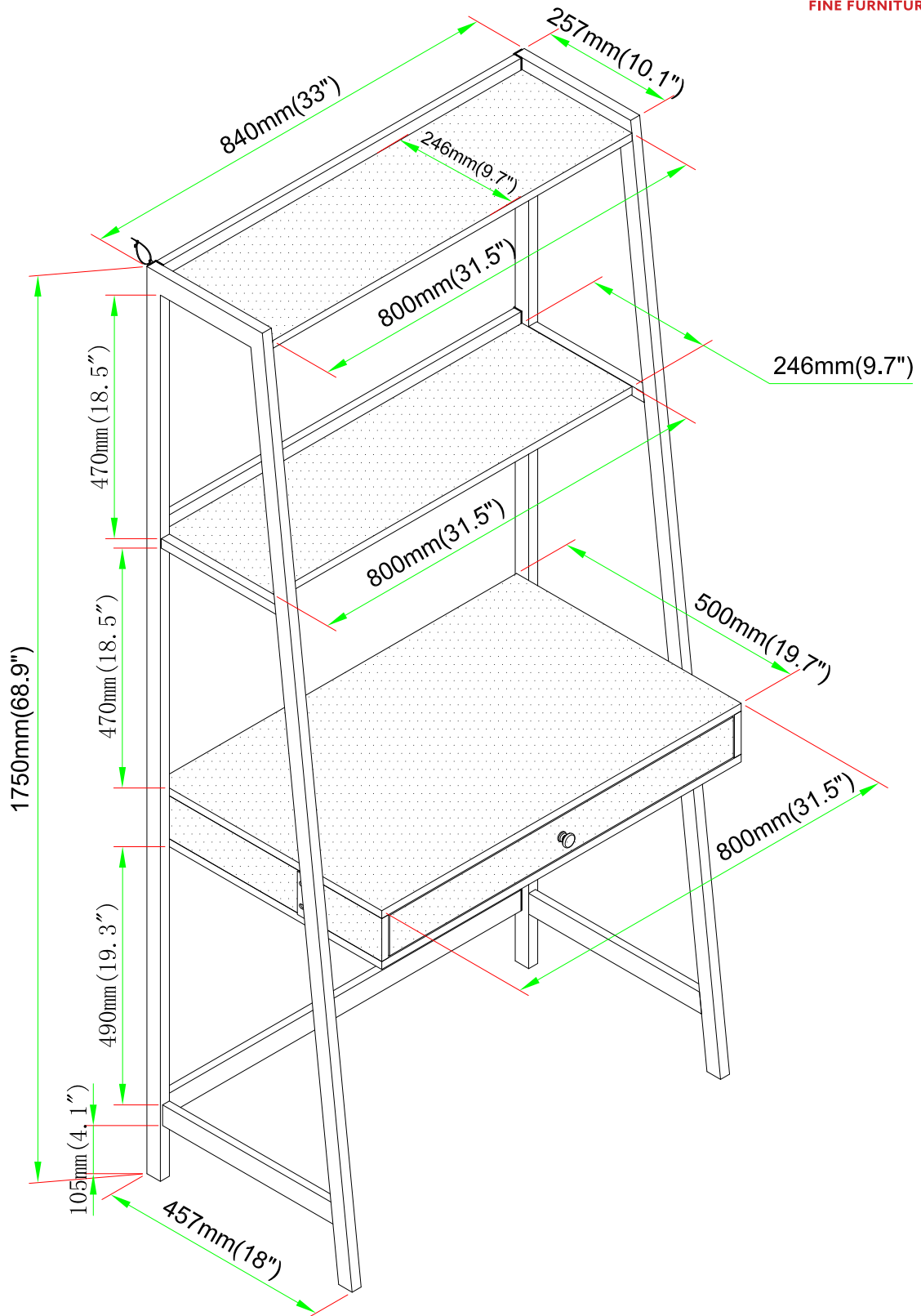
STEP 2

Place the furniture into position so both mounting brackets are vertically in line. Lace the end of the restraint strap through the larger hole in each mounting bracket. Bring both ends together and slide the flat end through the locking end and draw it through until all slack is removed. Confirm that the strap is securely laced and locked.



ITEM:805801

COASTER
FINE FURNITURE



Note : Dimension tolerance $\pm 5\%$