

ASSEMBLY INSTRUCTIONS
COASTER FINE FURNITURE



Fine Furniture for every stage of life

950849

Accent Cabinet

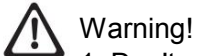
ITEM: **950849**

ASSEMBLY INSTRUCTION



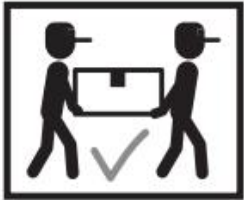
ASSEMBLY TIPS:

1. Remove hardware from box and sort by size.
2. Please check to see that all hardware and parts are present prior to start of assembly.
3. Please follow attached instructions in the same sequence as numbered to assure fast & easy assembly.



Warning!

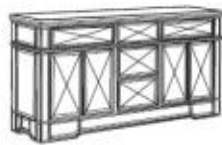
1. Don't attempt to repair or modify parts that are broken or defective. Please contact the store immediately.
2. This product is for home use only and not intended for commercial establishments.



ASSEMBLY TIME PER UNIT	5 MINUTES
------------------------	-----------

PARTS IDENTIFICATION

AN CABINET 1 PC



BN FRONT LEFT LEG 1 PC



CN FRONT RIGHT LEG 1 PC



DN REAR LEFT LEG 1 PC




EN REAR RIGHT LEG 1 PC



ZN HARDWARE IDENTIFICATION

1 ALLEN KEY  Ø6mm 1 PC

2 BOLT  Ø8mm *35mm 8 PCS

3 SPRING WASHER  Ø8mm 8 PCS

4 FLAT WASHER  Ø8mm 8 PCS

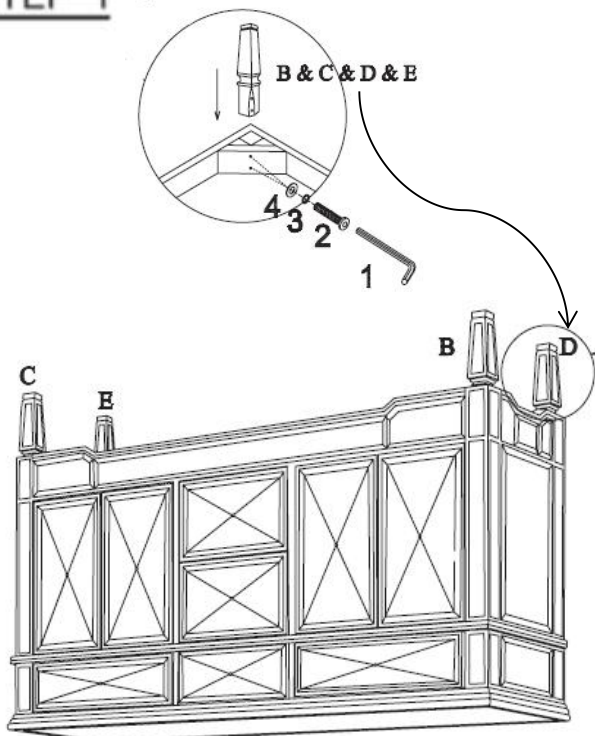
5 L BRACKET  2 PCS

6 LARGE SCREW  1 PC

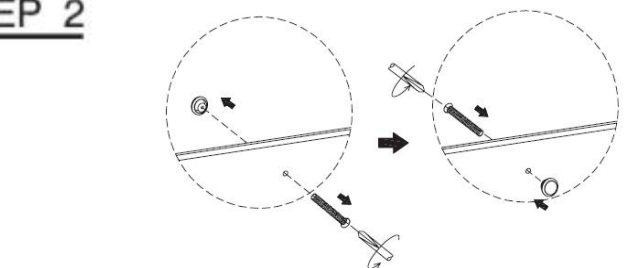
7 ZIP TIE  1 PC

8 SMALL SCREW  1 PC

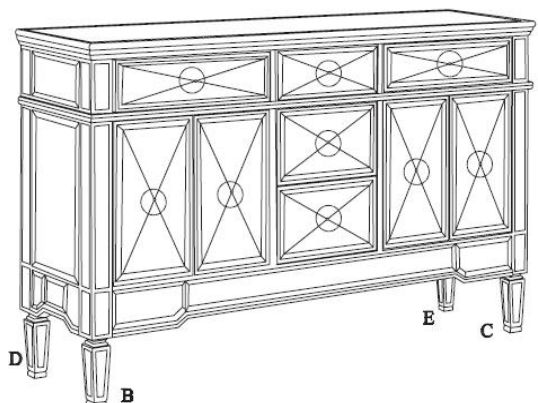
STEP 1



STEP 2



OPEN THE DOOR AND DRAWER.

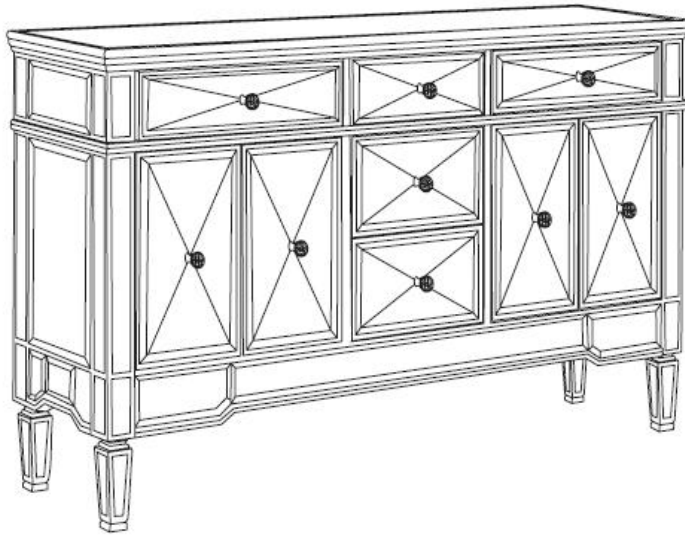


ITEM: **950849**

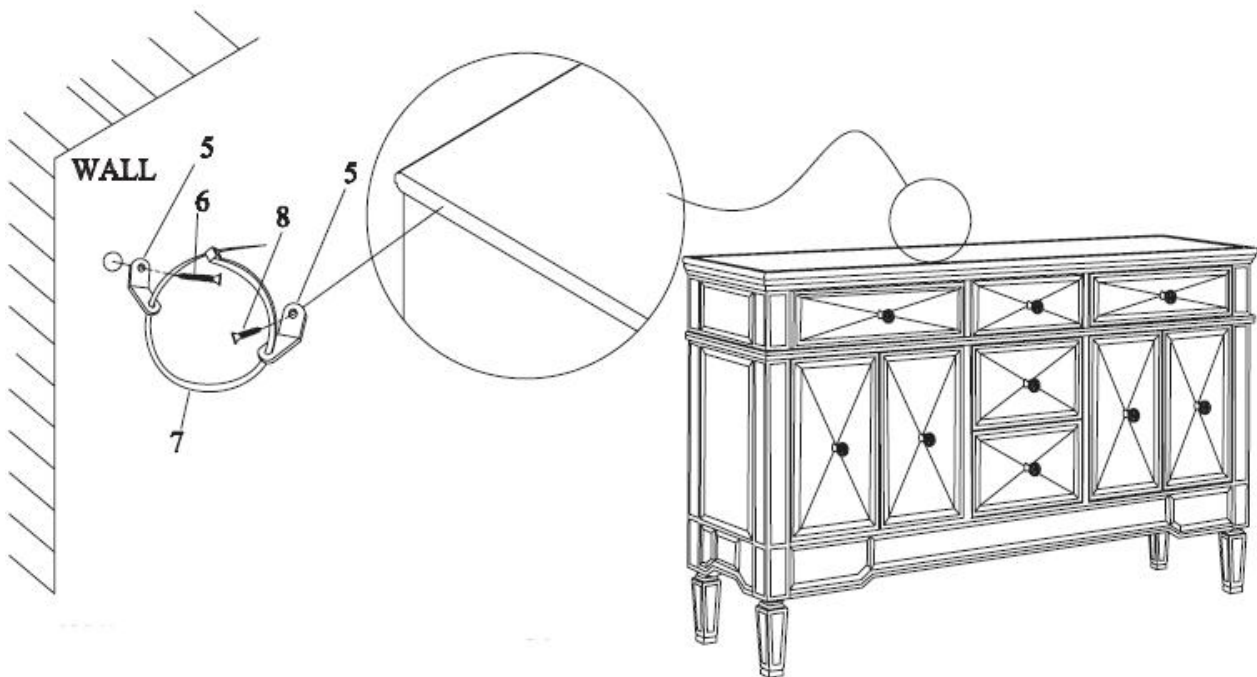
ASSEMBLY INSTRUCTION



STEP 3



ATTENTION: Anti tipping safeguard
Please install the Anti tipping hardware
as shown in the drawing this can help to
prevent any tipping issues.



FURNITURE TIPPING RESTRAINT

WARNING

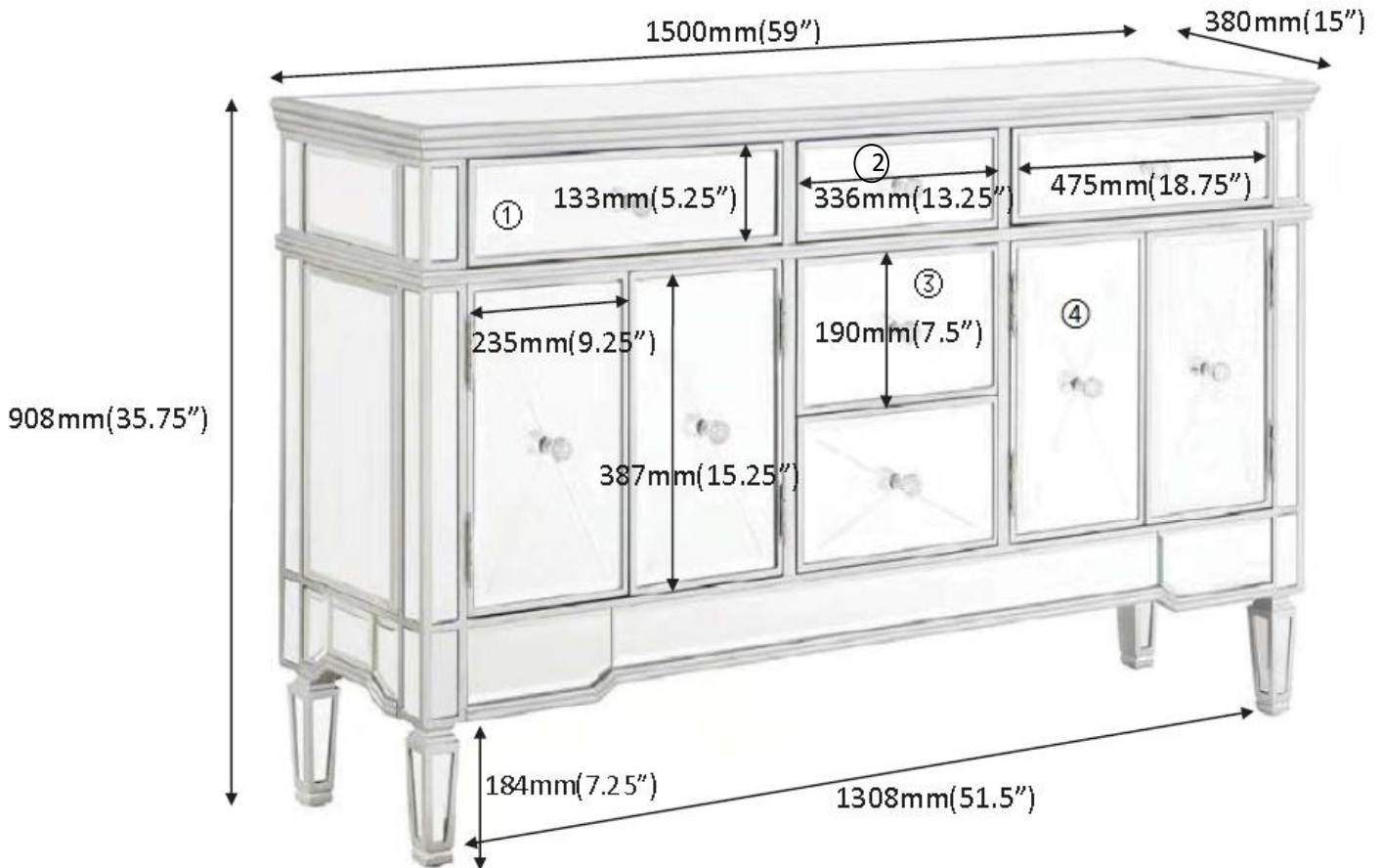
Injury may result from tipping furniture.
This restraint may protection against tipping furniture.
Do not allow children to climb on furniture.
This restraint is not a substitute for proper adult supervision.
Failure to detach this restraint before moving the furniture may
result in injury and damage.

ITEM: **950849**

ASSEMBLY INSTRUCTION



PRODUCT/PART DIMENSIONS:



- ① W432mm*D279mm*H89mm/W17"*D11"*H3.5"(Drawer Internal Size)
- ② W292mm*D279mm*H89mm/W11.5"*D11"*H3.5"(Drawer Internal Size)
- ③ W292mm*D279mm*H152mm/W11.5"*D11"*H6"(Drawer Internal Size)
- ④ W533mm*D330mm*H419mm/W21"*D13"*H16.5"(Door Internal Size)

Note: Dimension tolerance $\pm 5\%$