



ASSEMBLY INSTRUCTIONS COASTER FINE FURNITURE



Fine Furniture for every stage of life

500765
Sofa Bed

REVISION 0 : 05/24/2019
REVISION 1 : 01/29/2021

ITEM: 500765

ASSEMBLY INSTRUCTIONS

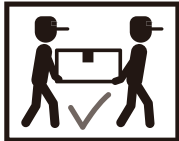
ASSEMBLY TIPS:

1. Remove hardware from box and sort by size.
2. Please check to see that all hardware and parts are present prior to start of assembly.
3. Please follow attached instructions in the same sequence as numbered to assure fast & easy assembly.



WARNING!

1. Don't attempt to repair or modify parts that are broken or defective. Please contact the store immediately.
2. This product is for home use only and not intended for commercial establishments.



ASSEMBLY TIME

30 MINUTES

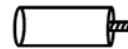
PARTS IDENTIFICATION

A Cushion



1PC

C BACK LLEG



2PCS

B FRONT LEGS



1PC

HARDWARE IDENTIFICATION

Z01

ALLEN WRENCH
(D 5mm - RBW)



1PC

Z04

NUTS
(Φ 8MM)



3PCS

Z02

BOLT
(8 x 90mm - RBW)



3PCS

Z05

WRENCH
(Φ 12MM)



1PC

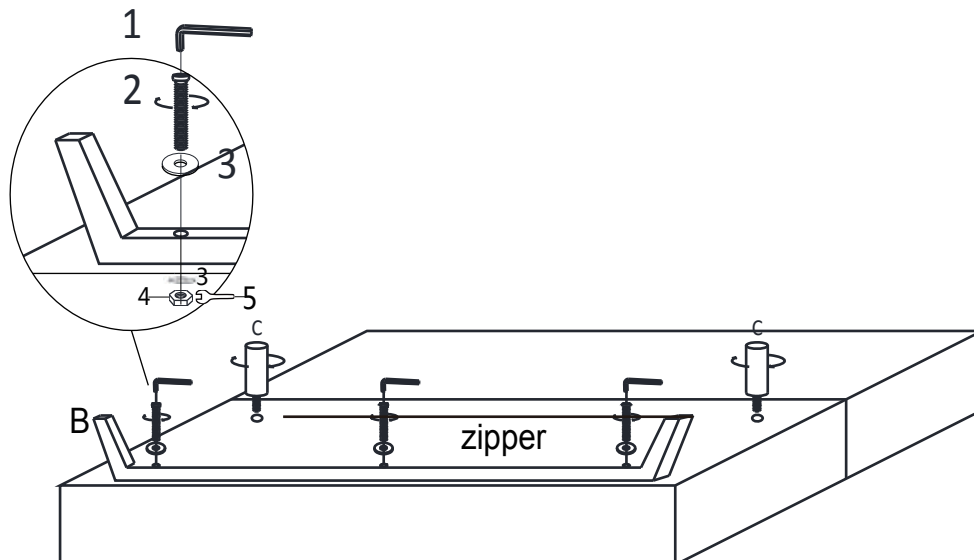
Z03

WASHER
(10 x 25mm - RBW)

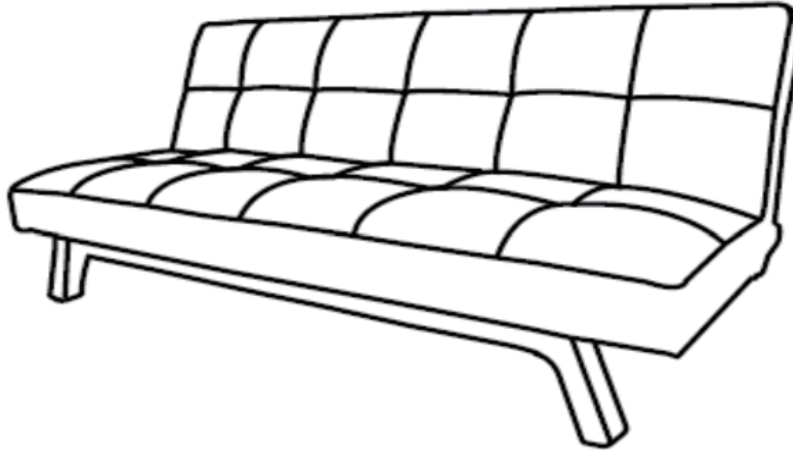


6PCS

STEP 1



ITEM: 500765
ASSEMBLY INSTRUCTIONS
STEP 2



PRODUCT DIMENSION (Note: Dimension tolerance $\pm 5\%$)

