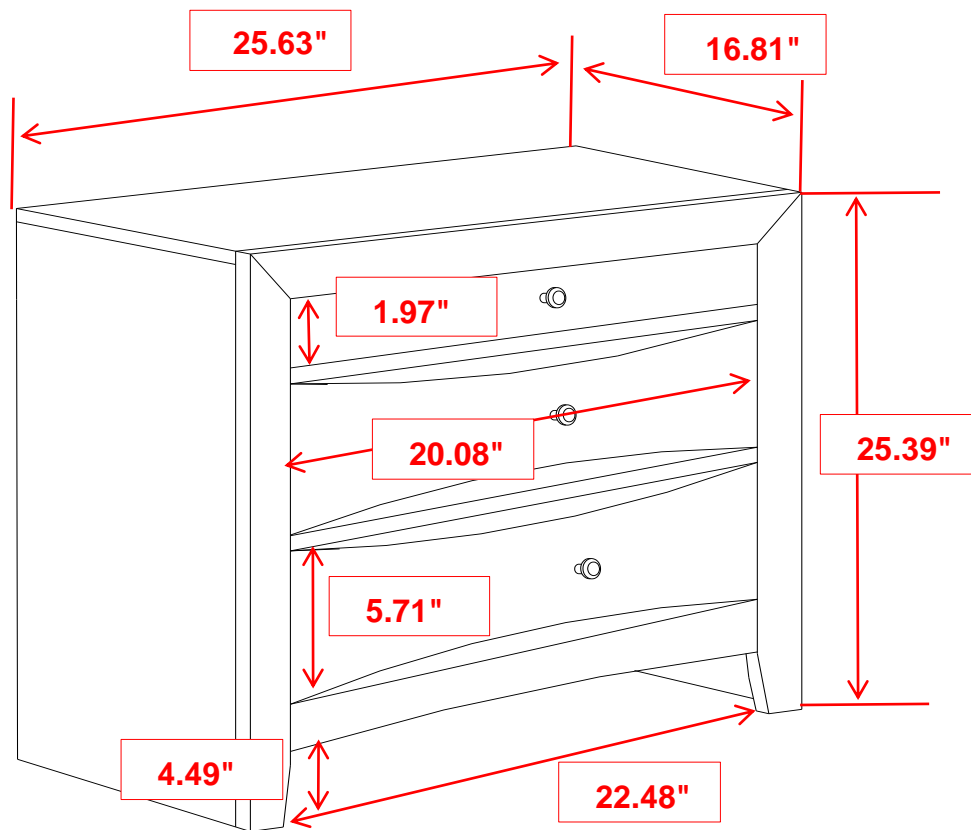


ITEM: 200702



INNER SIZE OF DRAWER : 3.31" x 12.48" x 17.00"



Note : Dimension tolerance $\pm 5\%$