



ASSEMBLY INSTRUCTIONS COASTER FINE FURNITURE



Fine Furniture for every stage of life

REVISION 0 : 12/10/2015
REVISION 1: 07/12/2019
REVISION 2: 11/11/2020
REVISION 3: 03/30/2021

800142 Office Chair

PAGE 1 OF 5

COASTERFURNITURE.COM

ITEM: 800142



ASSEMBLY INSTRUCTIONS

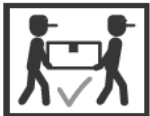
ASSEMBLY TIPS:

1. Remove hardware from box and sort by size.
2. Please check to see that all hardware and parts are present prior start of assembly.
3. Please follow attached instructions in the same sequence as numbered to assure fast & easy assembly.



WARNING!







1. Don't attempt to repair or modify parts that are broken or defective .Please contact the store immediately.
2. This product is for home use only and not intended for commercial establishment.






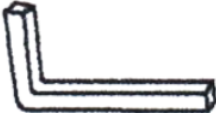
ASSEMBLY TIME

10 MINUTES

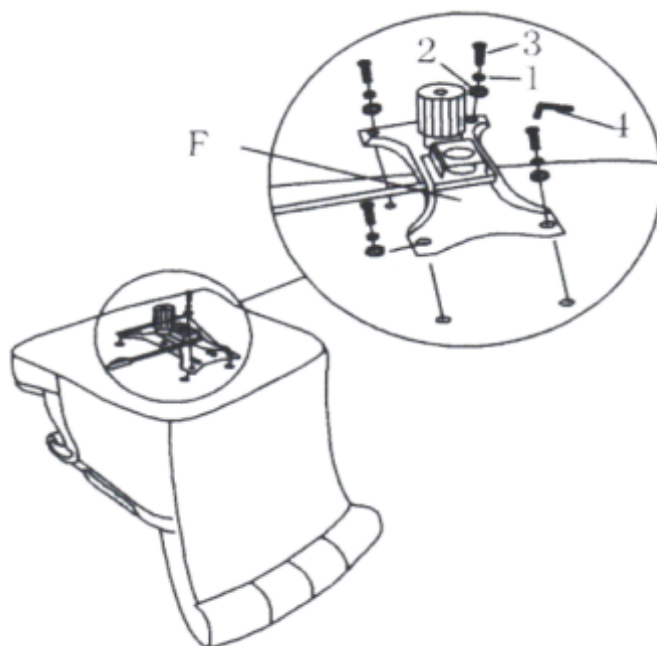
PARTS IDENTIFICATION

A	CUSHION		1PC
B	CYLINDER		1PC
C	CYLINDER COVER		1PC
D	BASE		1PC
E	CASTER		5PCS
F	ADJUSTING PLATE		1PC

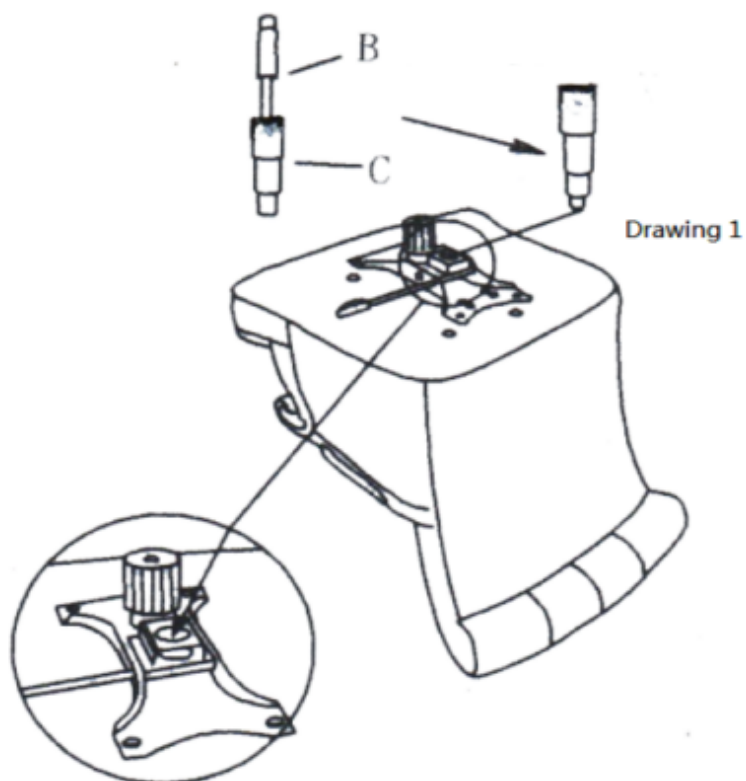
Z HARDWARE IDENTIFICATION

No	DESCRIPTION	FIGURE	Q' TY
1	5/16" LOCK WASHER		4PCS
2	5/16" FLAT WASHER		4PCS
3	● 5/16" X 1-1/4" BOLT		4PCS
4	● 5mm ALLEN KEY		1PC

ITEM: 800142
ASSEMBLY INSTRUCTIONS
STEP 1



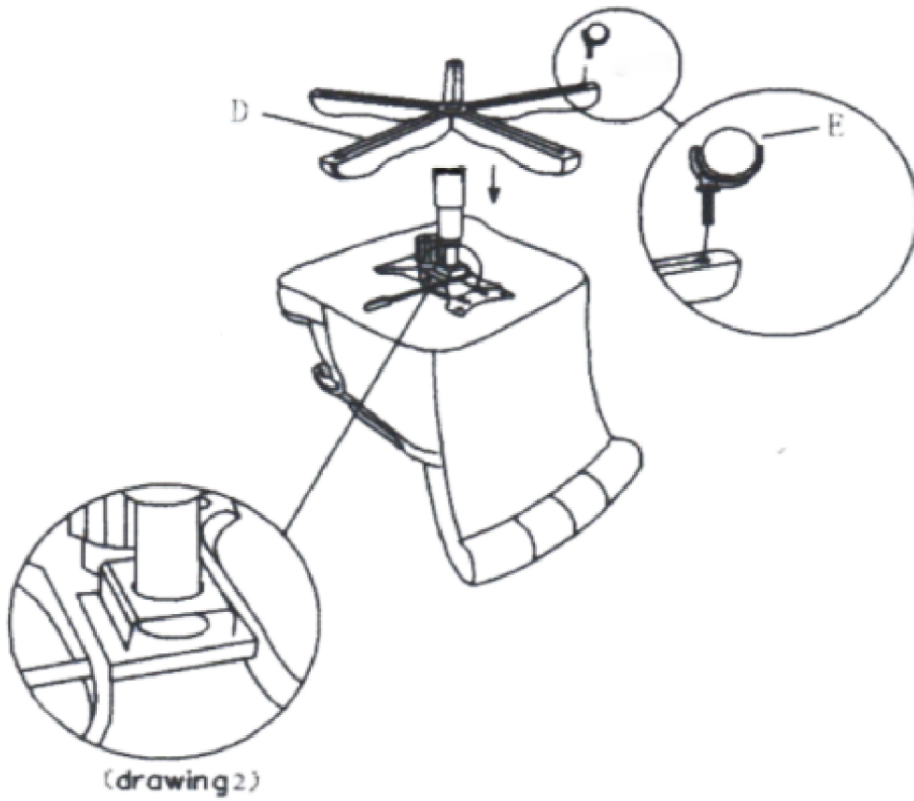
STEP 2



ITEM: 800142

ASSEMBLY INSTRUCTIONS

STEP 3



STEP 4

