

**ASSEMBLY INSTRUCTIONS**  
**COASTER FINE FURNITURE**



*Fine Furniture for every stage of life*

**109858(B1&B2)**  
**Counter Height Table**

# ITEM: 109858(B1 & B2)



## ASSEMBLY INSTRUCTIONS

### ASSEMBLY TIPS:

1. Remove hardware from box and sort by size.
2. Please check to see that all hardware and parts are present prior to start of assembly.
3. Please follow attached instructions in the same sequence as numbered to assure fast & easy assembly.



### WARNING!

1. Don't attempt to repair or modify parts that are broken or defective. Please contact the store immediately.
2. This product is for home use only and not intended for commercial establishments.



ASSEMBLY TIME

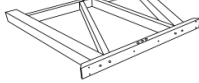

20 MINUTES

## PARTS IDENTIFICATION

### B1 (BOX 1)







A	TOP		1PC
---	-----	--	-----

### B2 (BOX 2)

B	CENTER LEG FRAME		1PC
C	SIDE LEG FRAME		2PCS

## HARDWARE IDENTIFICATION

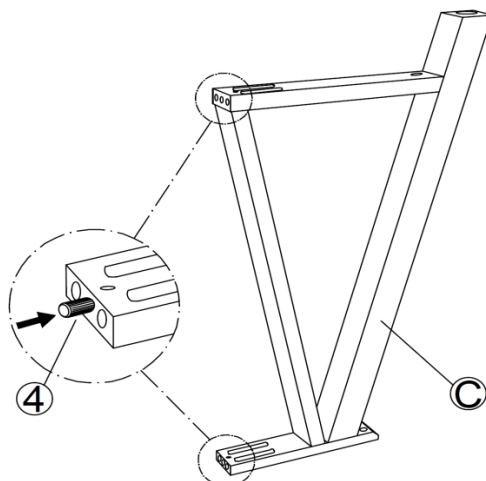
### Z-B1 (BOX 1) - HARDWARE PACK IS LOCATED IN 109858 (B1)

1	ALLEN WRENCH (M5 - BLK)		1PC
2	BOLT (M6 x 50mm - RBW)		8PCS
3	HALF ROUND NUT (BLK)		8PCS
4	PLASTIC DOWEL (M8 x 30mm - BLK)		4PCS
5	WAFER HEAD SCREW (M4 x 25mm - BLK)		12PCS
6	LEVELER (20mm - BLK)		4PCS

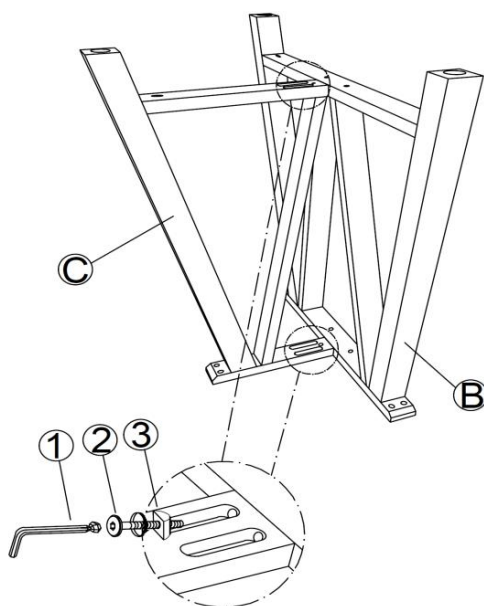
# ITEM: 109858(B1&B2)

## ASSEMBLY INSTRUCTIONS

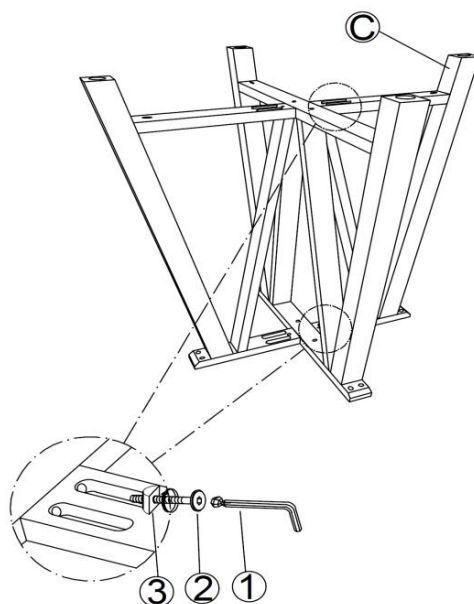
### STEP 1



### STEP 2



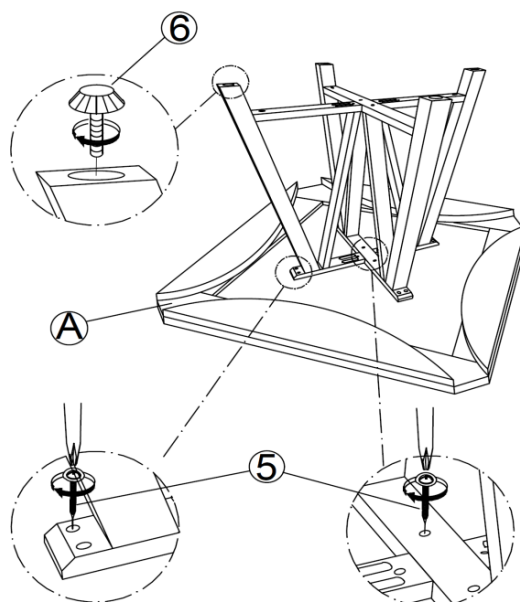
### STEP 3



ITEM: **109858(B1&B2)**

**ASSEMBLY INSTRUCTIONS**

**STEP 4**



**STEP 5**

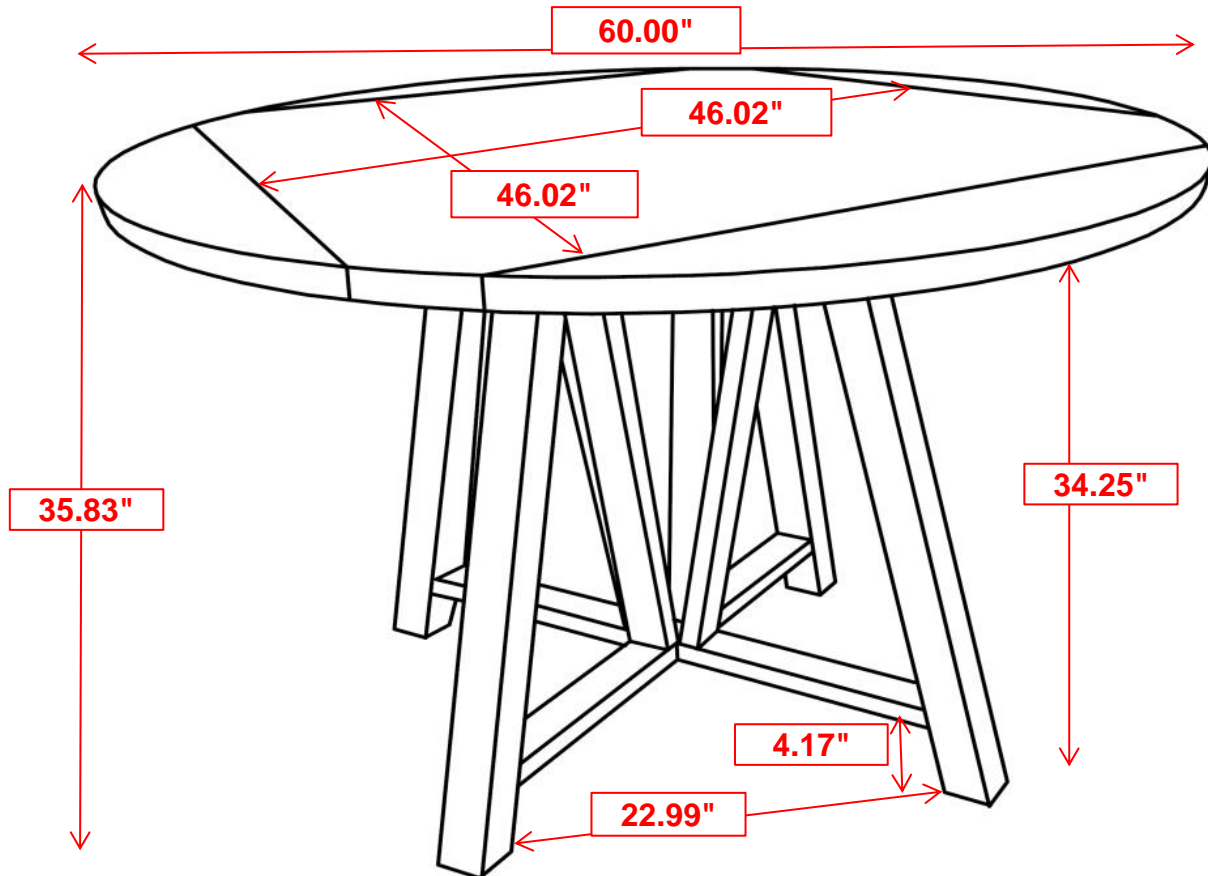


**STEP 6**  
**COMPLETE**



ITEM: 109858(B1&B2)

**COASTER**  
FINE FURNITURE



**Note :** Dimension tolerance  $\pm 5\%$