

# ASSEMBLY INSTRUCTIONS COASTER FINE FURNITURE



Fine Furniture for every stage of life

**500041**  
**Sofa Bed**

REVISION 0 : 05/03/2019

REVISION 1 : 03/31/2021

# ITEM: 500041



## ASSEMBLY INSTRUCTIONS

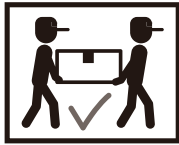
### ASSEMBLY TIPS:

1. Remove hardware from box and sort by size.
2. Please check to see that all hardware and parts are present prior to start of assembly.
3. Please follow attached instructions in the same sequence as numbered to assure fast & easy assembly.



### WARNING!

1. Don't attempt to repair or modify parts that are broken or defective. Please contact the store immediately.
2. This product is for home use only and not intended for commercial establishments.



ASSEMBLY TIME

30 MINUTES

## PARTS IDENTIFICATION

A FUTON PAD  1PC

B LEFT FRONT LEG  1PC

C RIGHT FRONT LEG  1PC

D BACK LEG  2PCS

## HARDWARE IDENTIFICATION

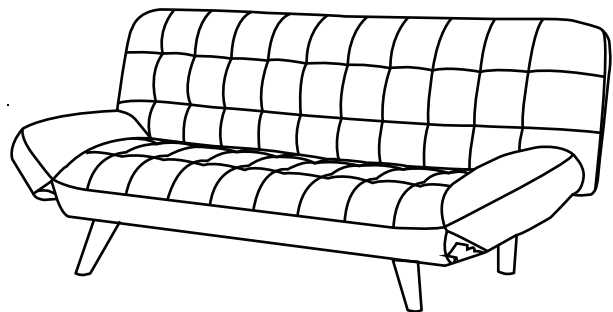
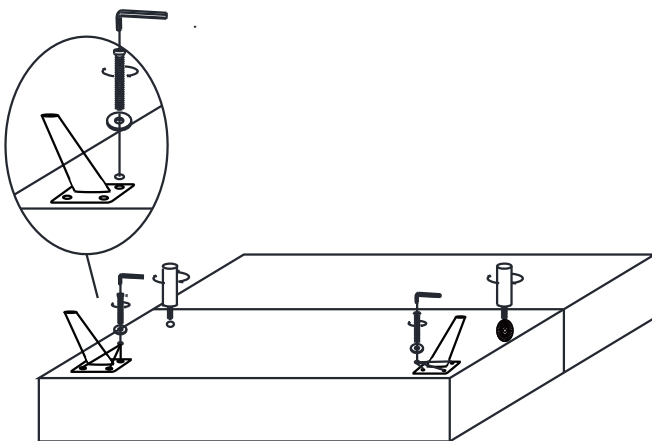
Z01 SCREW BR (D5mm - RBW)  1PC

Z03 WASHER (10 x 25mm - RBW)  6PCS

Z02 BOLT (8 x 30mm - RBW)  6PCS

Z04 PLASTIC WASHER (D 50mm - RBW)  2PCS

## STEP 1



# ITEM: 500041

## ASSEMBLY INSTRUCTIONS

PRODUCT DIMENSION (Note: Dimension tolerance  $\pm 5\%$ )

