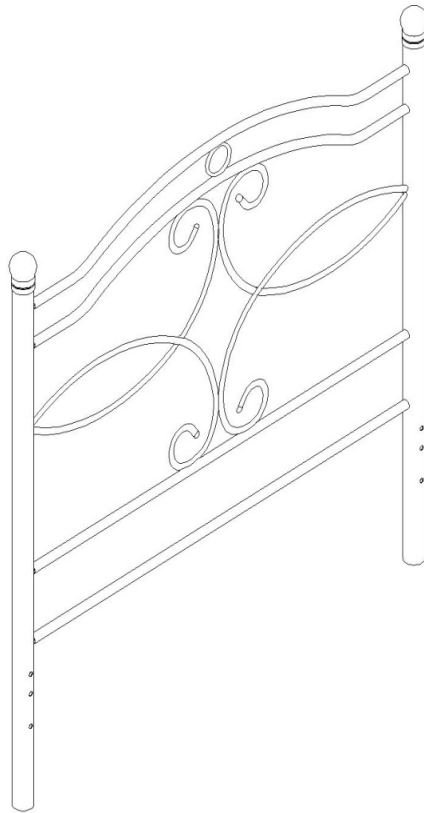


ASSEMBLY INSTRUCTIONS
COASTER FINE FURNITURE



Fine Furniture for every stage of life

450102T
Twin Headboard

ITEM: **450102T**



ASSEMBLY INSTRUCTIONS

ASSEMBLY TIPS:

1. Remove hardware from box and sort by size.
2. Please check to see that all hardware and parts are present prior to start of assembly.
3. Please follow attached instructions in the same sequence as numbered to assure fast & easy assembly.

WARNING!

1. Don't attempt to repair or modify parts that are broken or defective. Please contact the store immediately.
2. This product is for home use only and not intended for commercial establishments.



ASSEMBLY TIME

10 MINUTES

PARTS IDENTIFICATION

A HEADBOARD



1PC

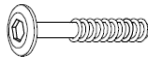
B FINIAL



2PCS

HARDWARE IDENTIFICATION

1 BOLT
1/4X62mm



4PCS

4 NUT
1/4 mm



4PCS

2 WASHER
18mm



4PCS

5 ALLEN KEY
4mm



1PC

3 PVC WASHER
23X4mm



4PCS

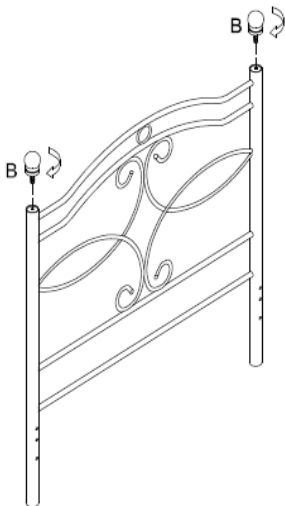
6 WRENCH
10mm



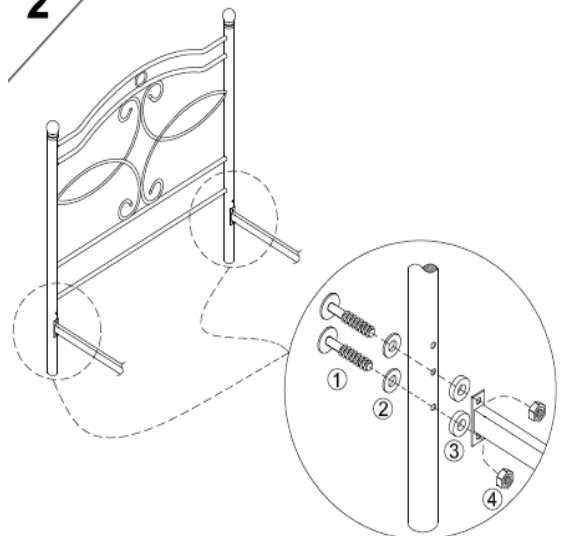
1PC

ASSEMBLY INSTRUCTIONS

1



2



NOTE:

Phillips head screw driver is required in the assembly process; however, manufacturer does not provide this item.

ITEM: **450102T**

PRODUCT DIMENSION:

