

*ASSEMBLY INSTRUCTIONS
COASTER FINE FURNITURE*



Fine Furniture for every stage of life

300283
STORAGE OTTOMAN

ITEM: **300283**



ASSEMBLY INSTRUCTIONS

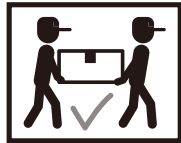
ASSEMBLY TIPS:

1. Remove hardware from box and sort by size.
2. Please check to see that all hardware and parts are present prior to start of assembly.
3. Please follow attached instructions in the same sequence as numbered to assure fast & easy assembly.



WARNING!




1. Don't attempt to repair or modify parts that are broken or defective. Please contact the store immediately.
2. This product is for home use only and not intended for commercial establishments.



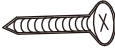


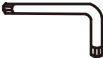
ASSEMBLY TIME

30 MINUTES

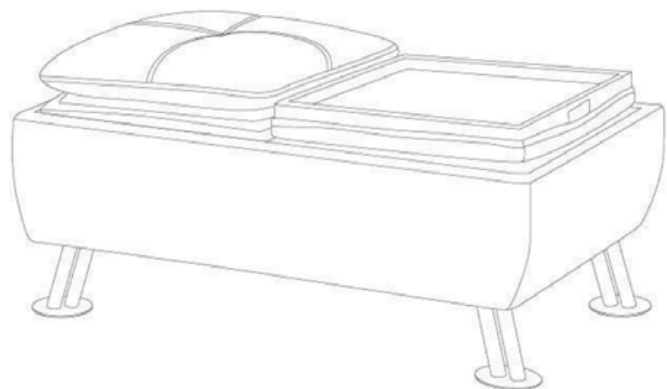
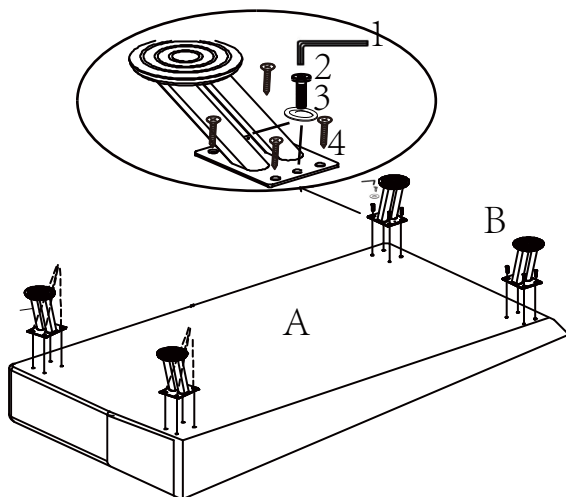
PARTS IDENTIFICATION

A	BODY		1PC	C	LEGS		4PCS
B	TRAY CUSHION		2PCS				

HARDWARE IDENTIFICATION

Z01	SCREW (4 x 25mm - RBW)		16PCS	Z03	WASHER (8 x 19mm - RBW)		8PCS
Z02	BOLT (6 x 20mm - RBW)		8PCS	Z04	WRENCH (D 4mm - RBW)		1PC

STEP 1



ITEM: 300283



ASSEMBLY INSTRUCTIONS

PRODUCT DIMENSION (Note: Dimension tolerance $\pm 5\%$)

