

ASSEMBLY INSTRUCTIONS COASTER FINE FURNITURE



Fine Furniture for every stage of life

360207
Sofa Bed

REVISION 0 : 05/03/2019
REVISION 1 : 05/19/2021

ITEM: 360207



ASSEMBLY INSTRUCTIONS

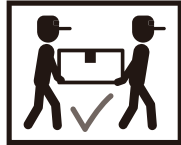
ASSEMBLY TIPS:

1. Remove hardware from box and sort by size.
2. Please check to see that all hardware and parts are present prior to start of assembly.
3. Please follow attached instructions in the same sequence as numbered to assure fast & easy assembly.



WARNING!

1. Don't attempt to repair or modify parts that are broken or defective. Please contact the store immediately.
2. This product is for home use only and not intended for commercial establishments.



ASSEMBLY TIME

30 MINUTES

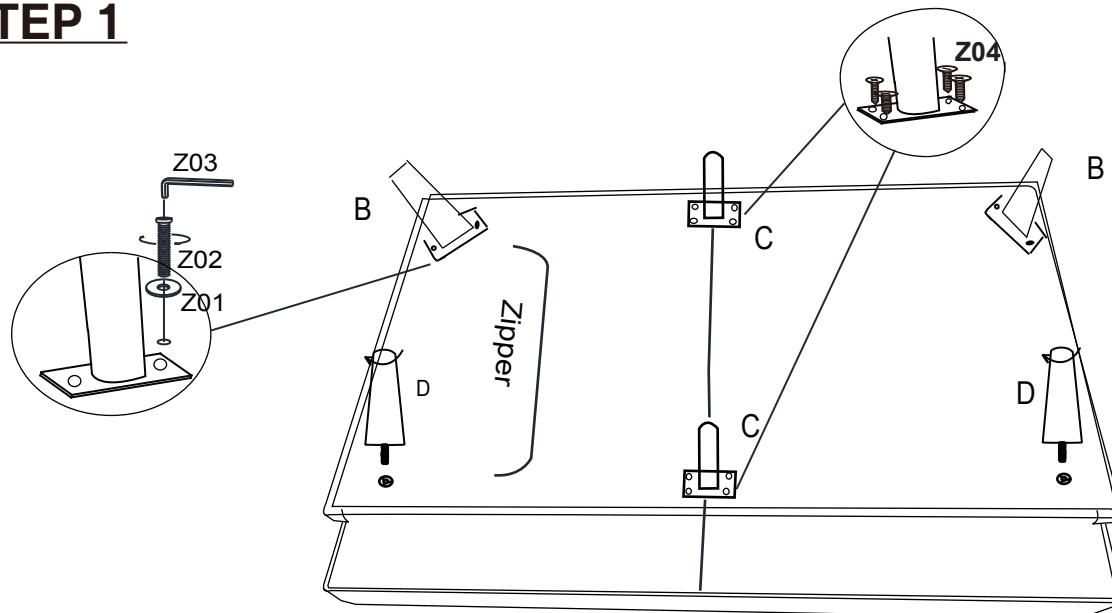
PARTS IDENTIFICATION

A	SOFA BED		1PC	B	FRONT LEGS		2PCS
C	MIDDLE LEG		2PCS	D	BACK LEGS		2PCS

HARDWARE IDENTIFICATION

Z01	WASHER (10 x 25mm - RBW)		4PCS	Z02	BOLT (8 x 30mm - RBW)		4PCS
Z03	WRENCH (D 5mm - RBW)		1PC	Z04	SCREW (4 x 25mm - RBW)		8PCS

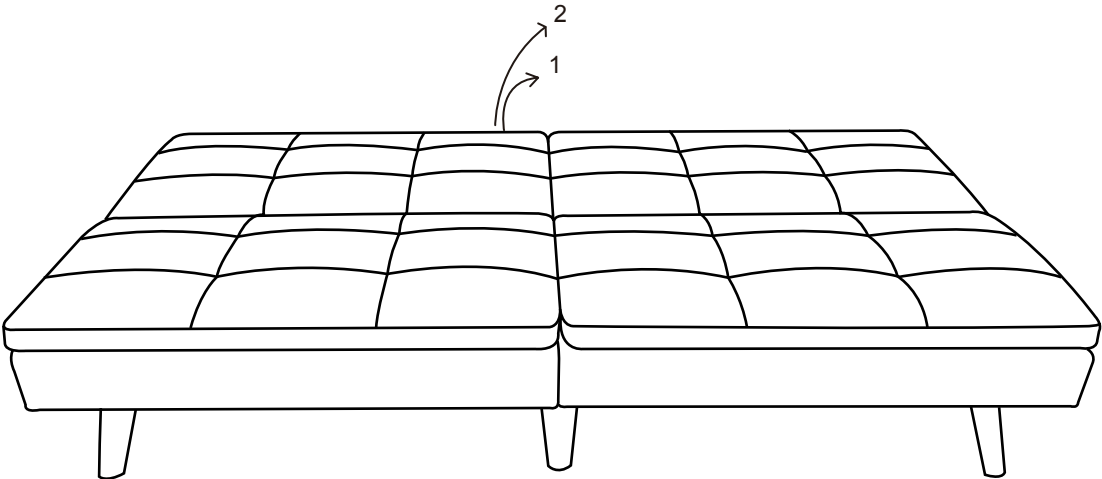
STEP 1



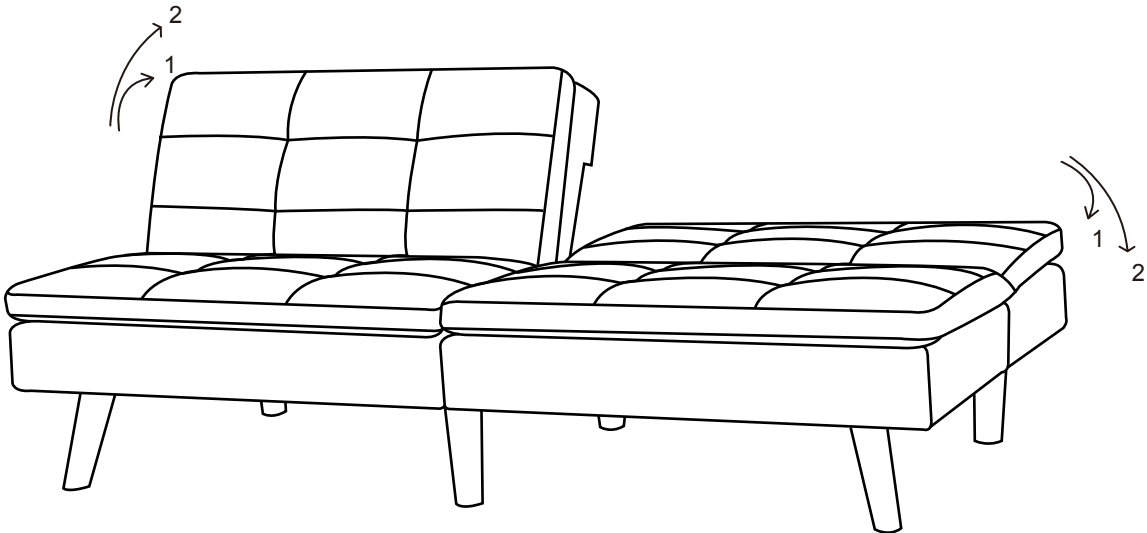
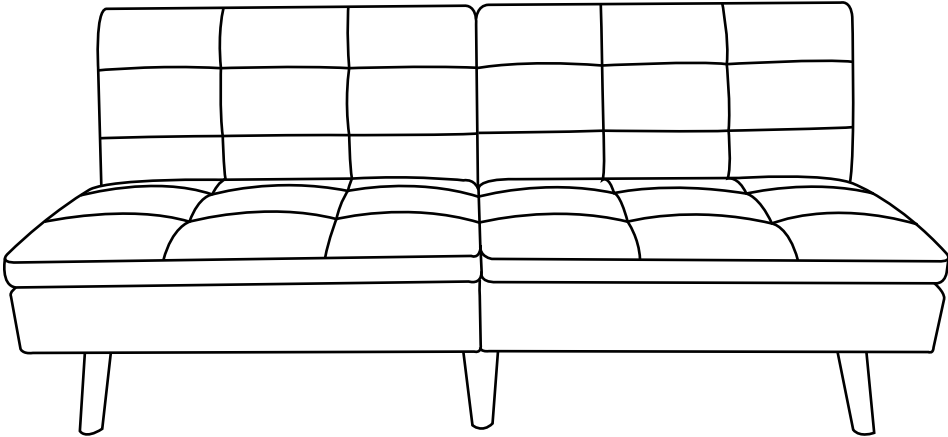
ITEM: **360207**
ASSEMBLY INSTRUCTIONS



STEP 2



STEP 3



ITEM: 360207



ASSEMBLY INSTRUCTIONS

PRODUCT DIMENSION (Note: Dimension tolerance $\pm 5\%$)

