

ASSEMBLY INSTRUCTIONS COASTER FINE FURNITURE

551401

551402



Fine Furniture for every stage of life

551402
ARMLESS CHAIR

REVISION 0 : 05/03/2019
REVISION 1 : 05/28/2021

ITEM: 551402



ASSEMBLY INSTRUCTIONS

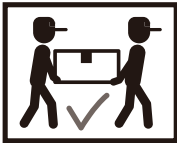
ASSEMBLY TIPS:

1. Remove hardware from box and sort by size.
2. Please check to see that all hardware and parts are present prior to start of assembly.
3. Please follow attached instructions in the same sequence as numbered to assure fast & easy assembly.



WARNING!

1. Don't attempt to repair or modify parts that are broken or defective. Please contact the store immediately.
2. This product is for home use only and not intended for commercial establishments.



ASSEMBLY TIME

30 MINUTES

PARTS IDENTIFICATION

A

ARMLESS CHAIR



1PC

B

LEG



4PCS

HARDWARE IDENTIFICATION

Z01

ALLEN WRENCH
(D 5mm - RBW)



1PC

Z03

WASHER
(10 x 25mm - RBW)



8PCS

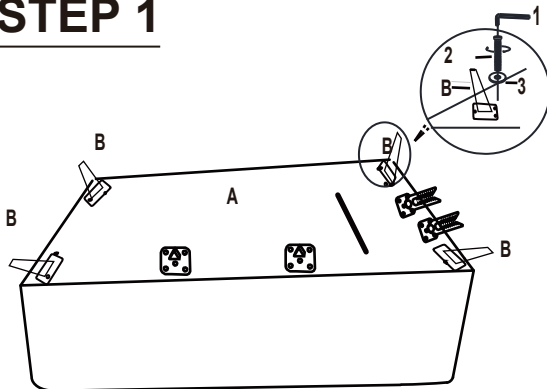
Z02

BOLT
(8 x 30mm - RBW)

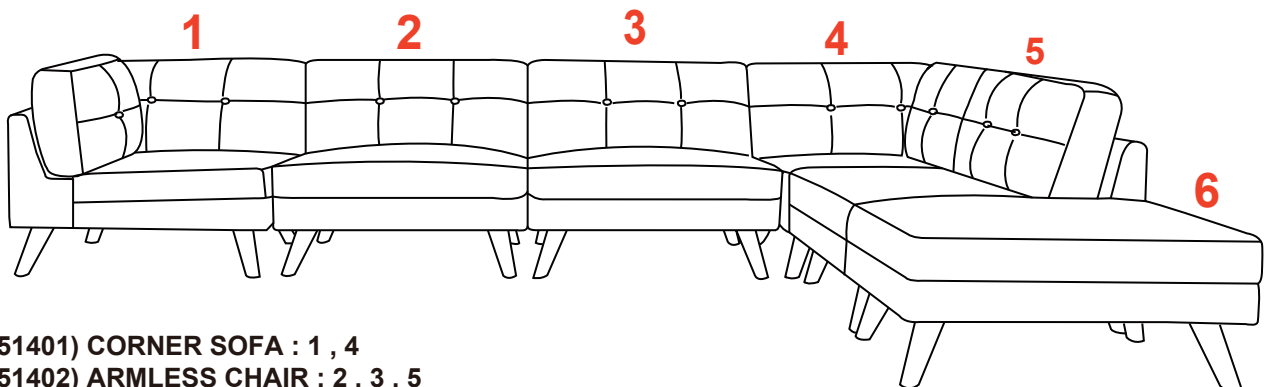
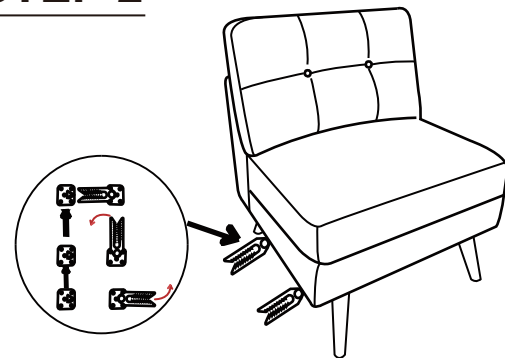


8PCS

STEP 1



STEP 2



(551401) CORNER SOFA : 1 , 4

(551402) ARMLESS CHAIR : 2 , 3 , 5

(551403) OTTOMAN : 6

ITEM: 551402



ASSEMBLY INSTRUCTIONS

PRODUCT DIMENSION (Note: Dimension tolerance $\pm 5\%$)

