



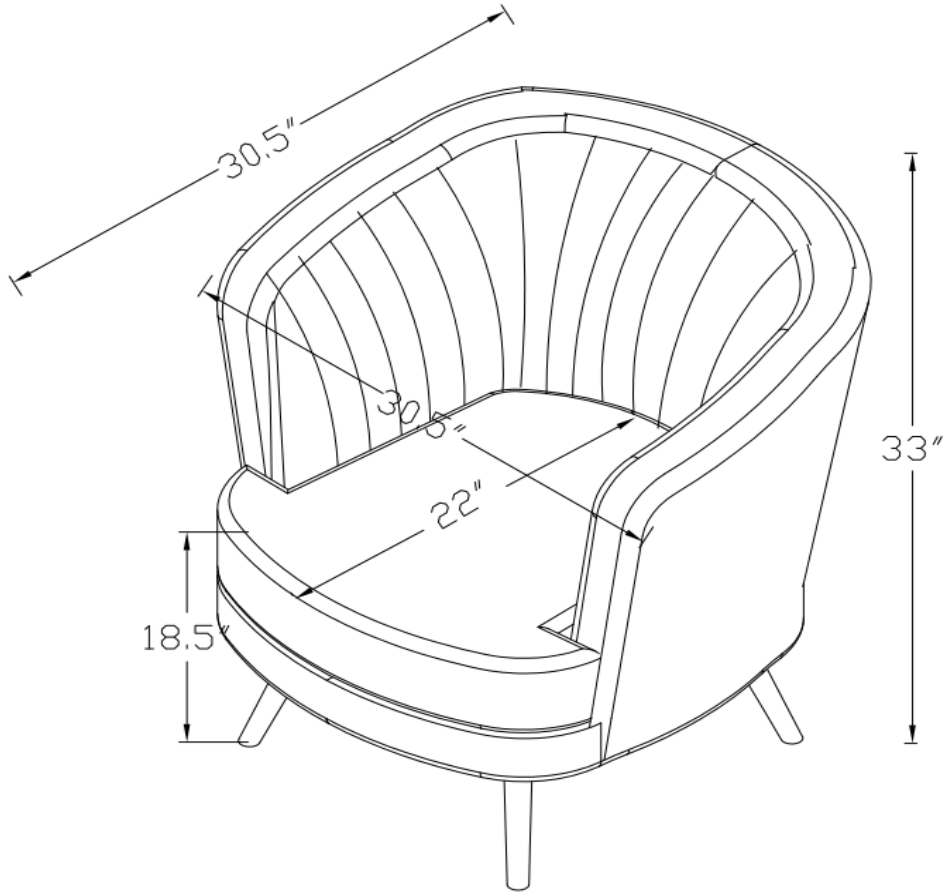


ITEM: 506866



## ASSEMBLY INSTRUCTIONS

### PRODUCT DIMENSION



Note: Dimension tolerance  $\pm 5\%$