

ASSEMBLY INSTRUCTIONS
COASTER FINE FURNITURE



Fine Furniture for every stage of life

705237
END TABLE

REVISION 0 : 02/08/2018
REVISION 1 : 07/01/2020
REVISION 2 : 07/20/2021

ITEM: 705237



ASSEMBLY INSTRUCTIONS

ASSEMBLY TIPS:

1. Remove hardware from box and sort by size.
2. Please check to see that all hardware and parts are present prior to start of assembly.
3. Please follow attached instructions in the same sequence as numbered to assure fast & easy assembly.



WARNING!

1. Don't attempt to repair or modify parts that are broken or defective. Please contact the store immediately.
2. This product is for home use only and not intended for commercial establishments.

ASSEMBLY TIME 40 MINUTES

PARTS IDENTIFICATION

A	TOP GLASS		1PC
BN	MIRROR		1PC
C	TOP FRAME		1PC
D	SIDE FRAME		2PCS
EN	CROSSBAR		2PCS

HARDWARE IDENTIFICATION

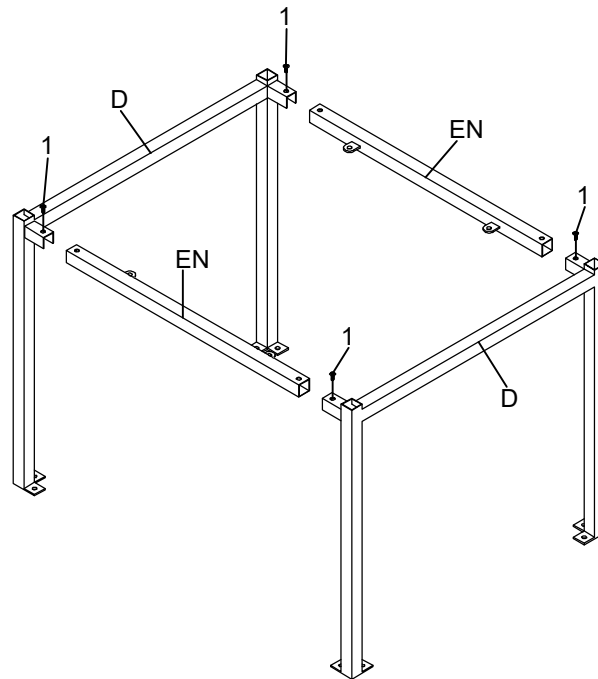
1	BOLT (1/4" x 15mm)		12PCS	4	ALLEN WRENCH (4mm)		1PC
2	SUCTION CUP (ø5mm)		8PCS				
3	CAP (25 x 25mm)		4PCS				

ITEM:705237

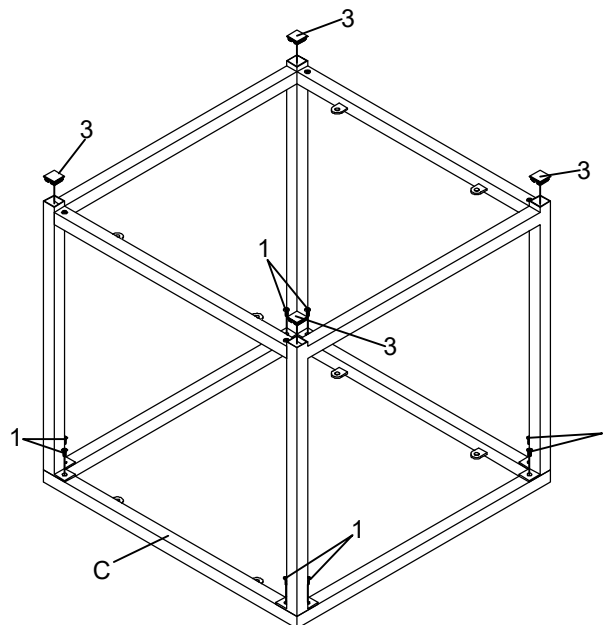
ASSEMBLY INSTRUCTIONS



STEP 1 Do not tighten until each step is completed or instructed.



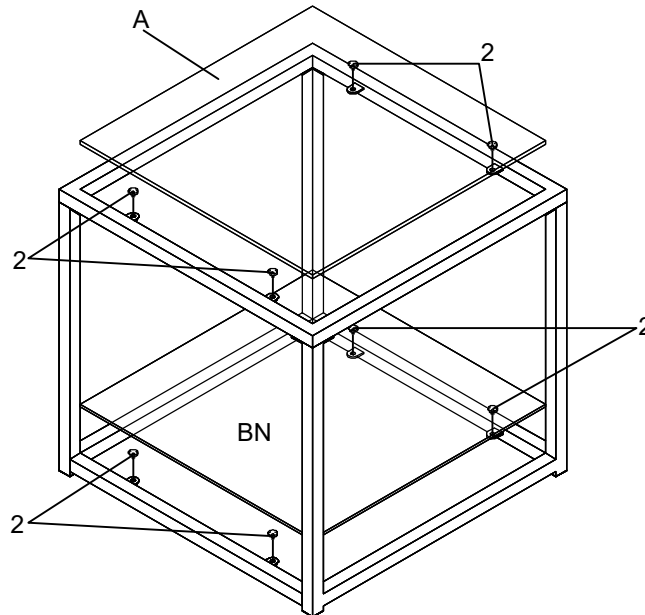
STEP 2



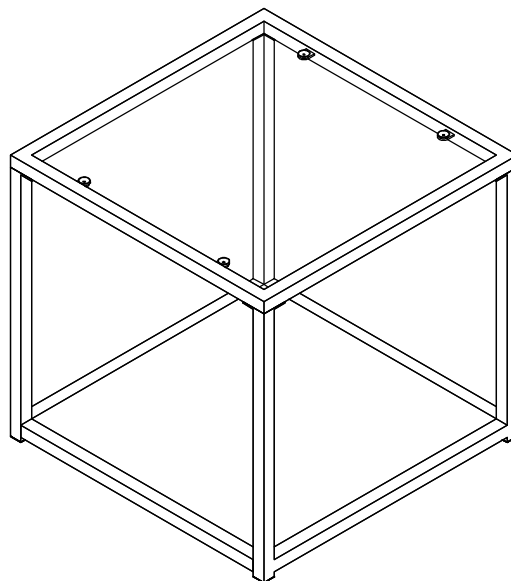
ITEM: 705237

ASSEMBLY INSTRUCTIONS

STEP 3



STEP 4 COMPLETE

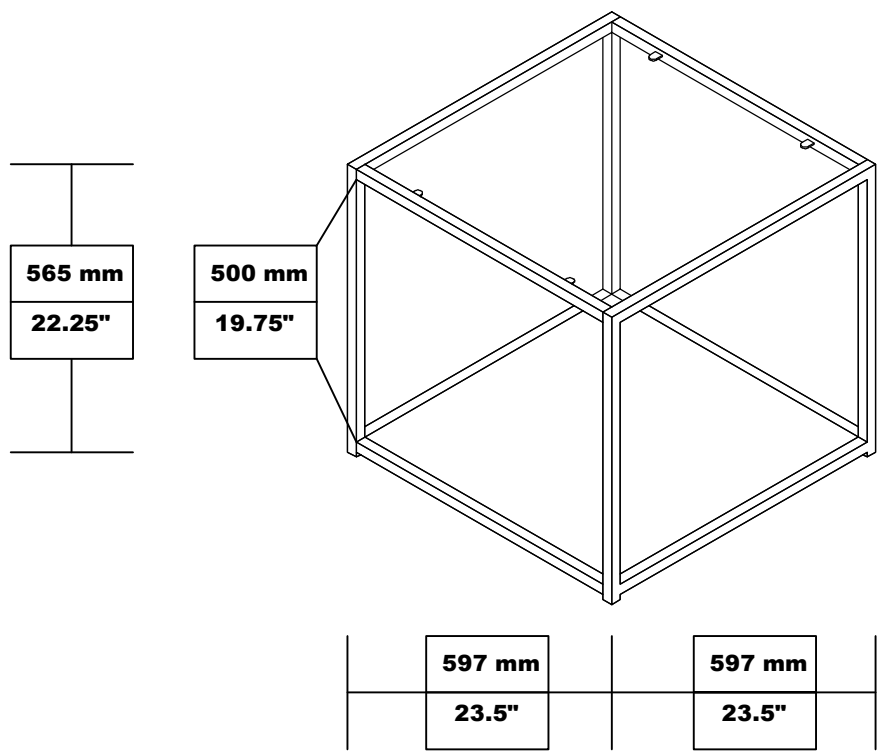


ITEM:705237

ASSEMBLY INSTRUCTIONS



Product Size : 597 X 597 X 565 H (MM)
Product Size : 23.5" X 23.5" X 22.25"



Note : Dimension tolerance $\pm 5\%$