

ASSEMBLY INSTRUCTIONS
COASTER FINE FURNITURE



Fine Furniture for every stage of life

400778
Bunkbed F/T/F

ITEM: 400778



ASSEMBLY INSTRUCTIONS

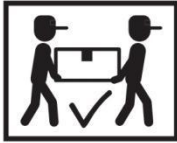
ASSEMBLY TIPS:

1. Remove hardware from box and sort by size.
2. Please check to see that all hardware and parts are present prior to start of assembly.
3. Please follow attached instructions in the same sequence as numbered to assure fast & easy assembly.



WARNING!

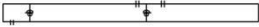


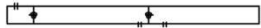
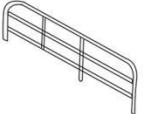









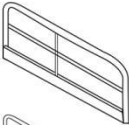
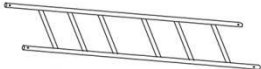

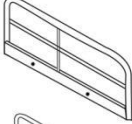






1. Don't attempt to repair or modify parts that are broken or defective. Please contact the store immediately.
2. This product is for home use only and not intended for commercial establishments.



ASSEMBLY TIME





90 MINUTES

PARTS IDENTIFICATION

A-LEFT LEG 1		1PC	B-LEFT LEG 2		1PC
C-RIGHT LEG 1		1PC	D-RIGHT LEG 2		1PC
E-GUARDRAIL 1		1PC	F-GUARDRAIL 2		3PCS
G-CONNECTING ROD		1PC	H-RAIL 1		1PC
I-RAIL 2		3PCS	J-RAIL 3		1PC
K-LADDER 1		1PC	L-RAIL 4		1PC
M-CONNECTING ROD 1		2PCS	N-TOP HEADBOARD		2PCS
O-GUARDRAIL 1		1PC	P-LADDER 2		1PC
Q-GUARDRAIL 2		1PC	R-GUARDRAIL 3		1PC
S-SLAT 1		44PCS	T-GUARDRAIL 4		1PC
U-SLAT 2		22PCS	V-CONNECTING ROD 2		1PC
A2-SLAT SPACER		63PCS	B2-SLAT CONNECTOR		132PCS

HARDWARE IDENTIFICATION

Z - HARDWARE

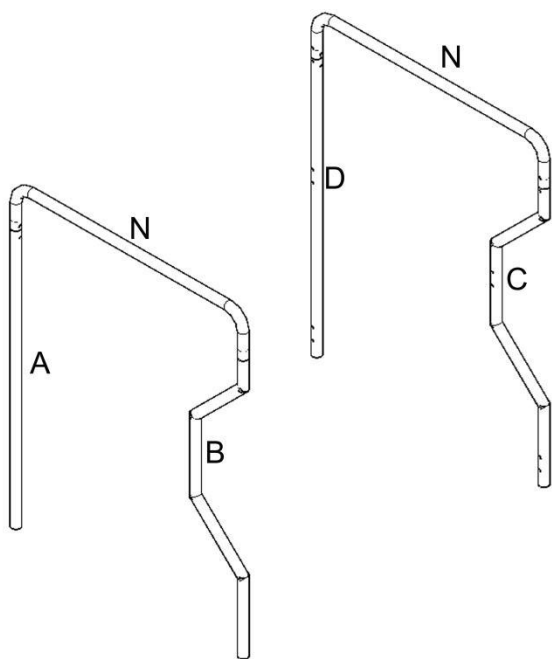
1	BOLT (Ø 1/4"x20MM)		56PCS	3	BOLT (Ø 1/4"x 55MM)		5PCS
2	BOLT (Ø 1/4"x35MM)		24PCS	4	ALLEN WRENCH(1/4")		2PCS

ITEM: 400778

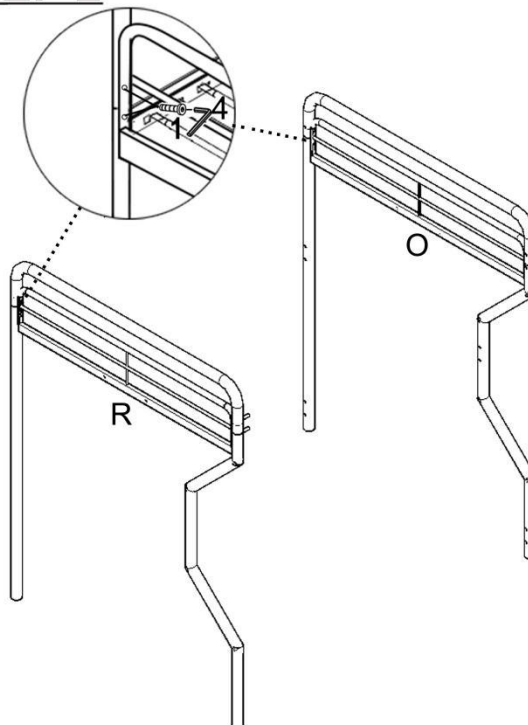
ASSEMBLY INSTRUCTIONS



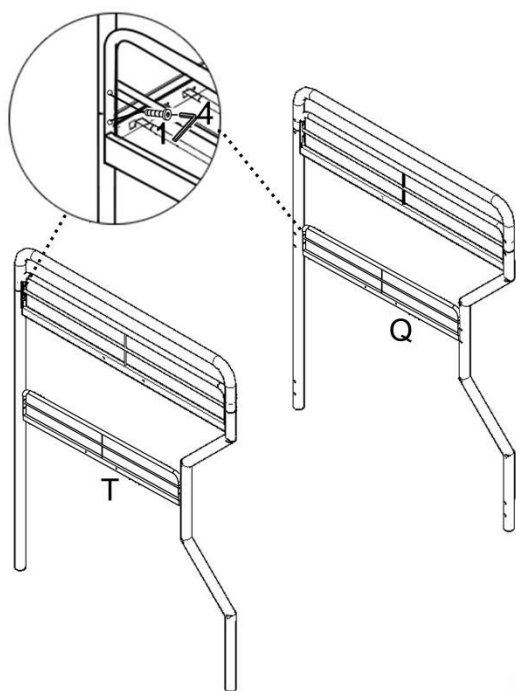
STEP 1



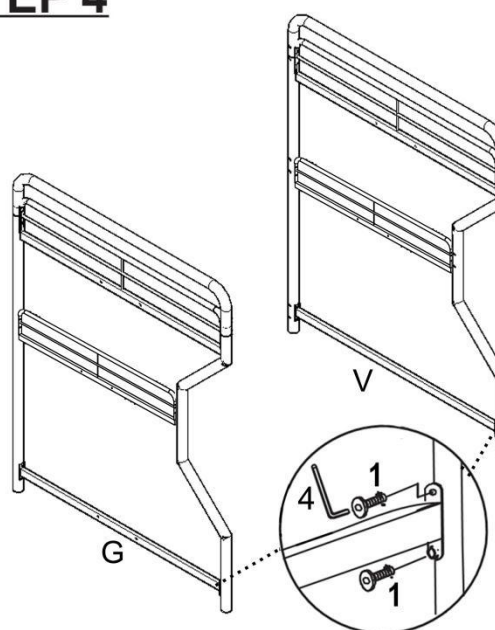
STEP 2



STEP 3



STEP 4

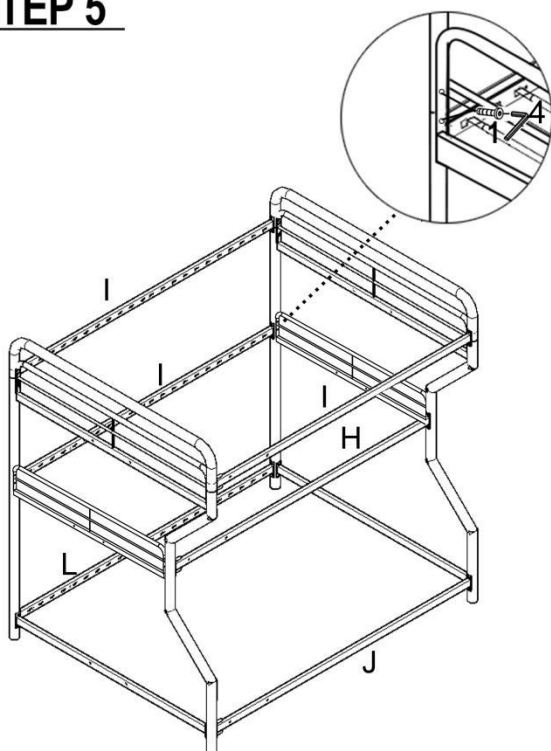


ITEM: 400778

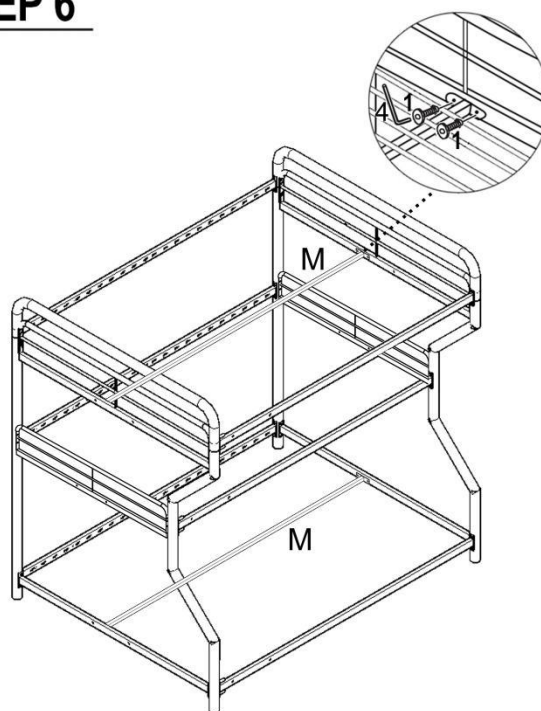
ASSEMBLY INSTRUCTIONS



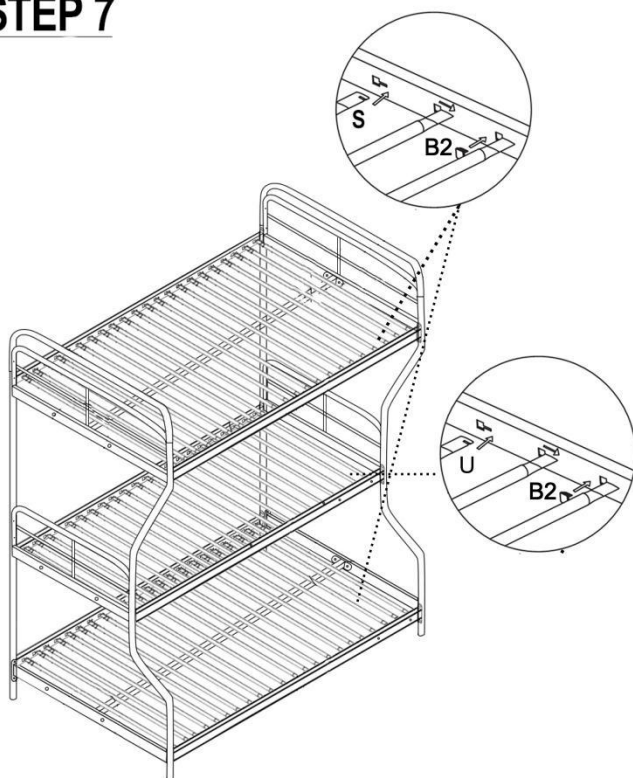
STEP 5



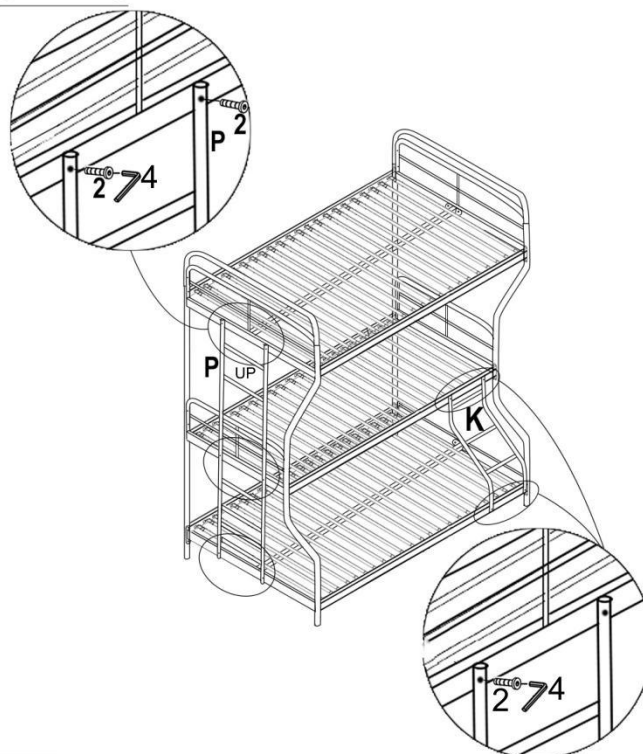
STEP 6



STEP 7



STEP 8

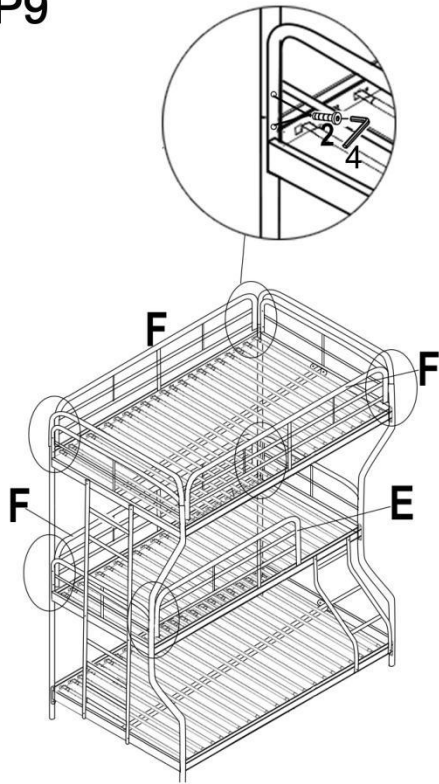


ITEM: 400778

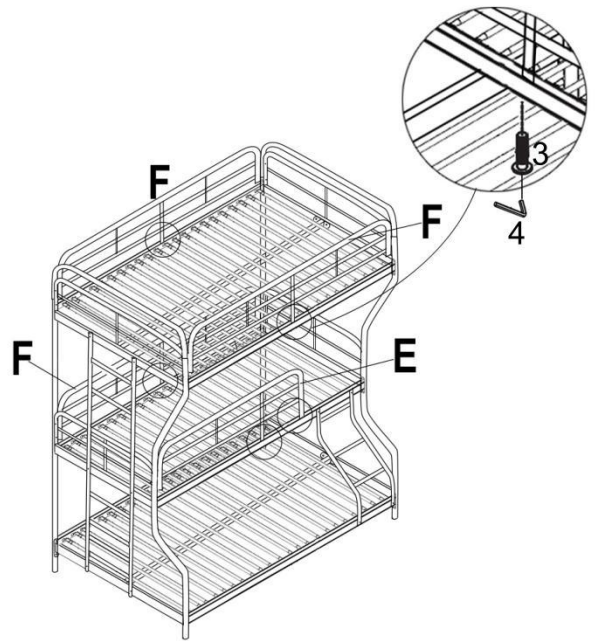
ASSEMBLY INSTRUCTIONS



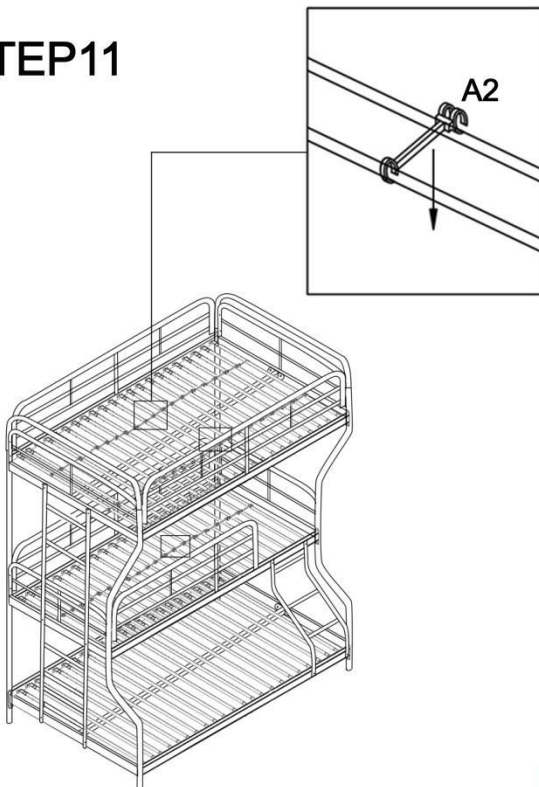
STEP9



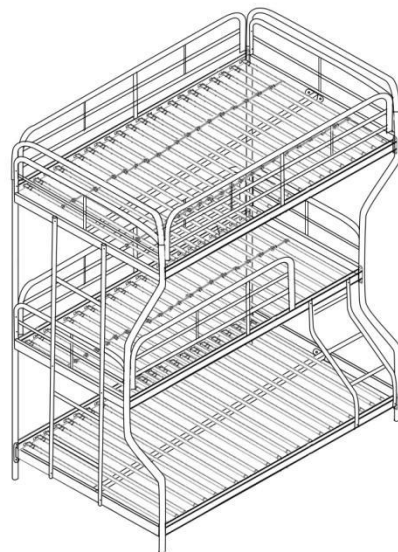
STEP10



STEP11



END

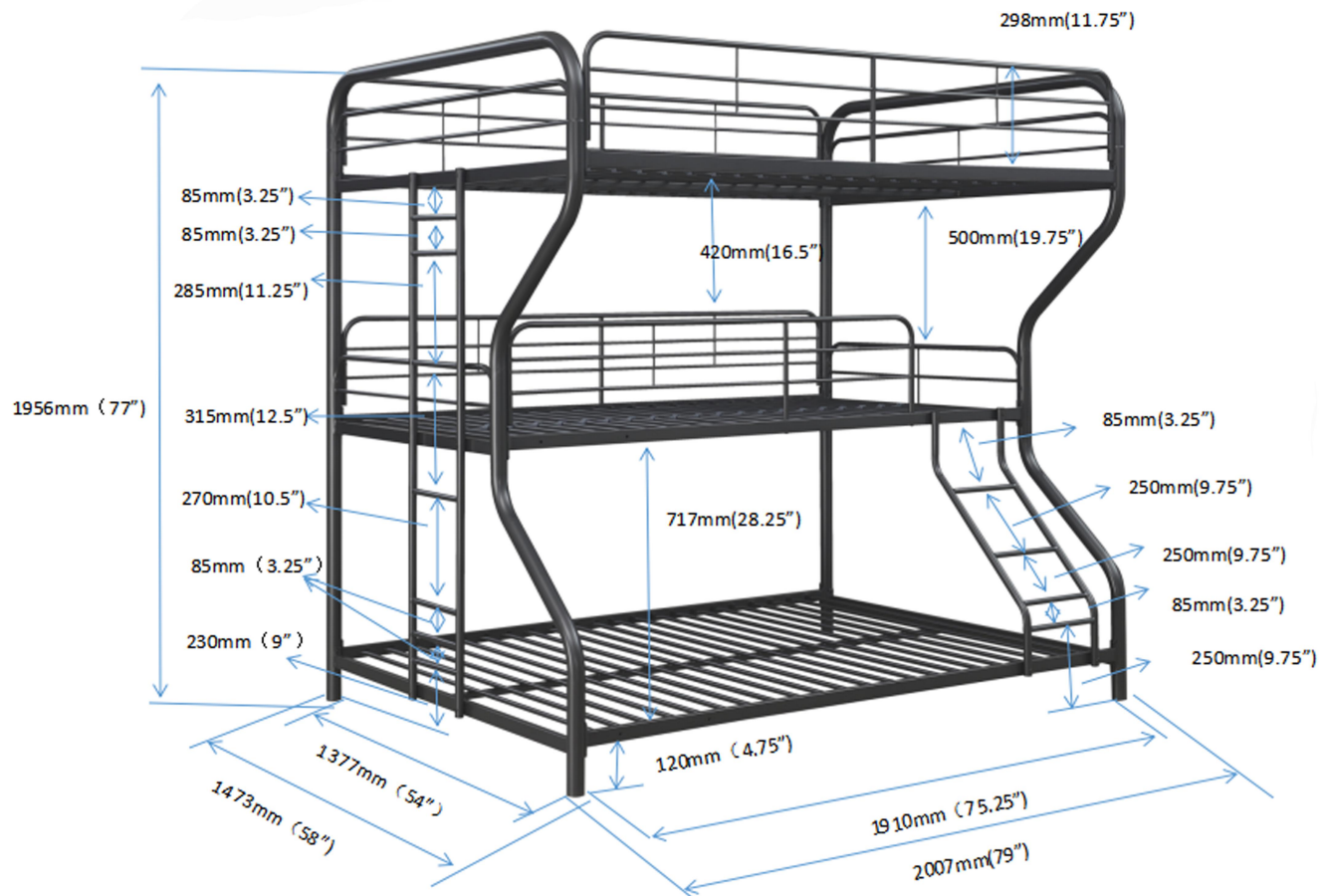


ITEM: **400778**

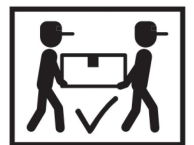
ASSEMBLY INSTRUCTIONS



DIMENSIONAL DRAWING



Note : Dimension tolerance $\pm 5\%$



ITEM: 400778



ASSEMBLY INSTRUCTIONS

SIZE OF MATTRESS

The length and width of the triple bunk mattress are as follow:

	<u>Length</u>	<u>Width</u>	<u>Thickness</u>
Upper bunk	74"- 75"	52 1/2" - 53 1/2"	6" Maximum
Middle bunk	74"- 75"	37 1/2" - 38 1/2"	6" Maximum
Lower bunk	74"- 75"	52 1/2" - 53 1/2"	6" Maximum

Ensure thickness of mattress does not exceed 6" and there must be at least 5" from mattress sleeping surface to top edge of guardrail.



SAFETY WARNING



1. Follow the information on the warnings appearing on the upper bunk and middle bunk end structure and on the carton. Do not remove the warning label from bed.
2. Always use the recommended size mattress or mattress support or both to help prevent the likelihood of entrapment or falls.
3. Surface of mattress must be at least 5 in. (127mm) below the upper or middle edge of guardrails.
4. Do not allow children under 6 years of age to use the upper bunk or middle bunk.
5. Prohibit more than one person on upper bunk or middle bunk.
6. Periodically check and ensure that the guardrail, ladder, and other components are in their proper position, free from damage, and that all connectors are tight.
7. Do not allow horseplay on or under the bed and prohibit jumping on the bed.
8. Always use the ladder for entering and leaving the upper bunk or middle bunk.
9. Do not use substitute parts. Contact the manufacturer or dealer for replacement parts.
10. Use of a night light may provide added safety precaution for a child using upper or middle bunk.
11. Always use guardrails on both long sides of the upper or middle bunk. If the bunk bed will be placed next to the wall, the guardrail that runs the full length of the bed should be placed against the wall to prevent entrapment between the bed and wall.
12. The use of water or sleep flotation mattress is prohibited.
13. Keep these instructions for future reference.

STRANGULATION HAZARD:

14. Never attach or hang items to any part of the bed that are not designed for use with the bed for example, but not limited to hooks, belts, and jump ropes.

REPLACEMENT PARTS:

Replacement parts, including additional guardrails may be obtained from any COASTER Furniture Dealer.

ITEM: 400778

ASSEMBLY INSTRUCTIONS



 **WARNING** 
TO PREVENT SERIOUS OR FATAL INJURY

1. When using beds as triple bunk beds, the ladder **MUST** be securely attached to the middle and upper bunk rails at all times.
2. When using the beds as three (3) separate floor-standing beds, the ladder **MUST** be stored in a separate location where children cannot use the ladder in any manner.
3. **DO NOT** use, nor permit children to use, the ladder in any manner whatsoever, other than to access the top unit when used as triple bunk beds, and only if the ladder is securely attached to the top bunk rail, as set forth in the instructions.
4. Any misuse or unauthorized use of the ladder could result in serious or fatal injury.
5. Failure to follow the above warning, or failure to follow the assembly instructions completely, will void all liability of COASTER COMPANY OF AMERICA for damages and injury to people and property.



Coasterfurniture.com 877-COASTER (262-7837)