



*ASSEMBLY INSTRUCTIONS*  
*COASTER FINE FURNITURE*



*Fine Furniture for every stage of life*

**609540**  
**SECTIONAL**

REVISION 0: 06/17/2020  
REVISION 1: 09/21/2021

# ITEM : 609540LR

## ASSEMBLY INSTRUCTIONS



### ASSEMBLY TIPS:

- 1.Remove hardware from box and sort by size.
- 2.Please check to see that all hardware and parts are present prior to start of assembly.
- 3.Please follow attached instruction in the same sequence as numbered to assure fast & easy assembly.



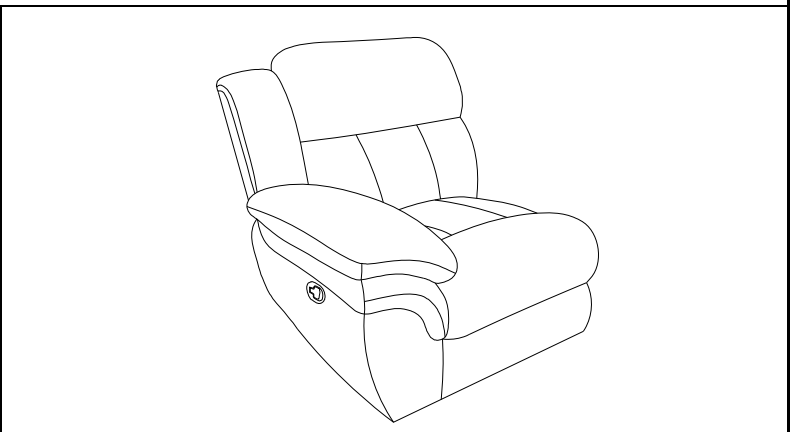
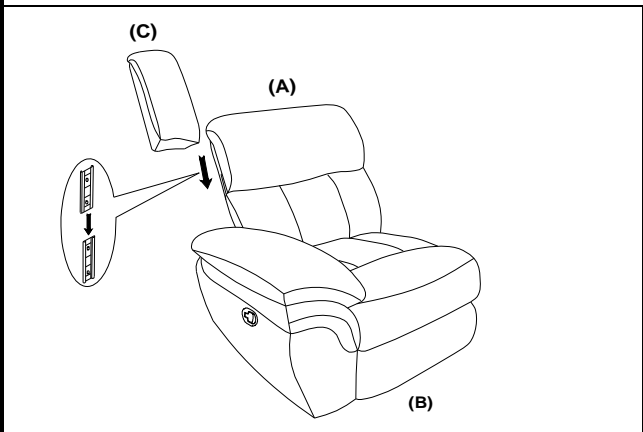
### WARNING!

- 1.Don't attempt to repair or modify parts that are broken or defective. Please contact the store immediately.
- 2.This product is for home use only and not intended for commercial establishment.



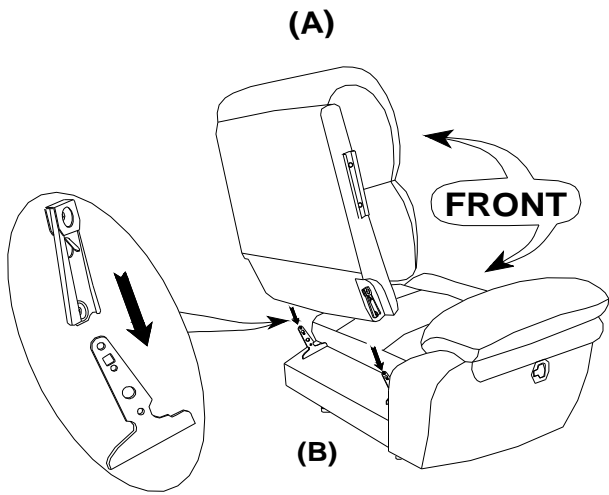
ASSEMBLY TIME      2 MINUTES

## PARTS IDENTIFICATION

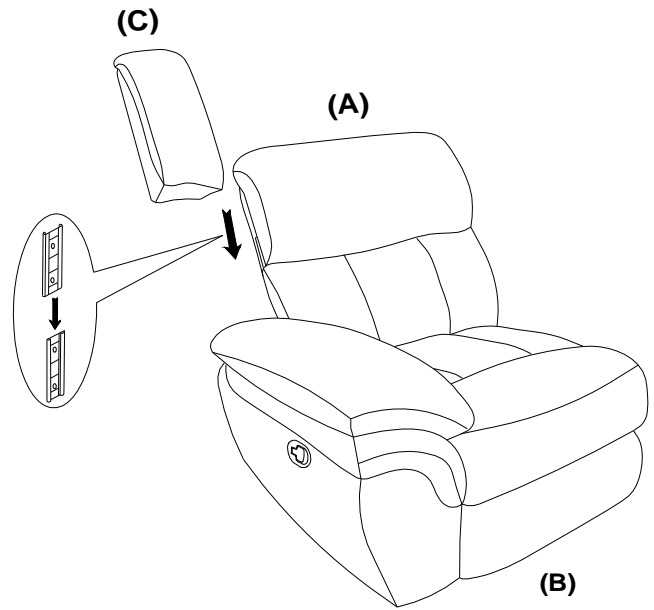


A	BACK		1PC
B	BASE		1PC
C	LEFT EAR		1PC

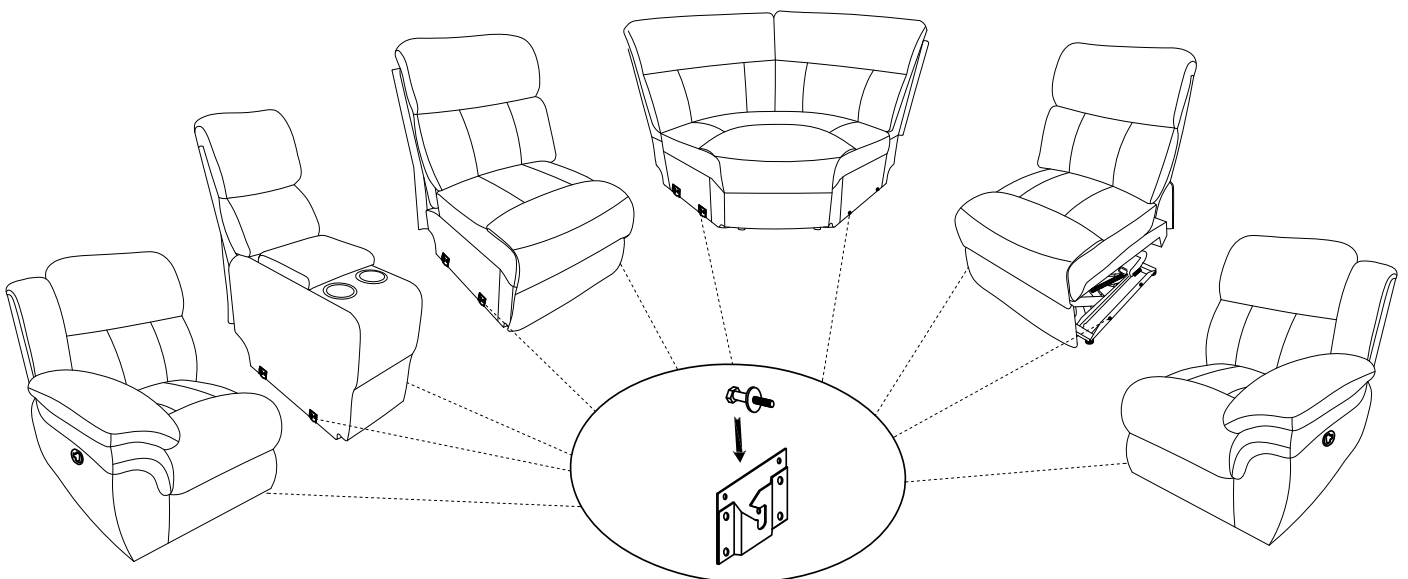
**STEP 1**



**STEP 2**



**STEP 3**



# ITEM : 609540CON

## ASSEMBLY INSTRUCTIONS



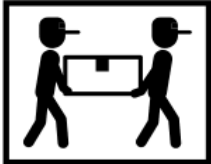
### ASSEMBLY TIPS:

- 1.Remove hardware from box and sort by size.
- 2.Please check to see that all hardware and parts are present prior to start of assembly.
- 3.Please follow attached instruction in the same sequence as numbered to assure fast & easy assembly.



### WARNING!

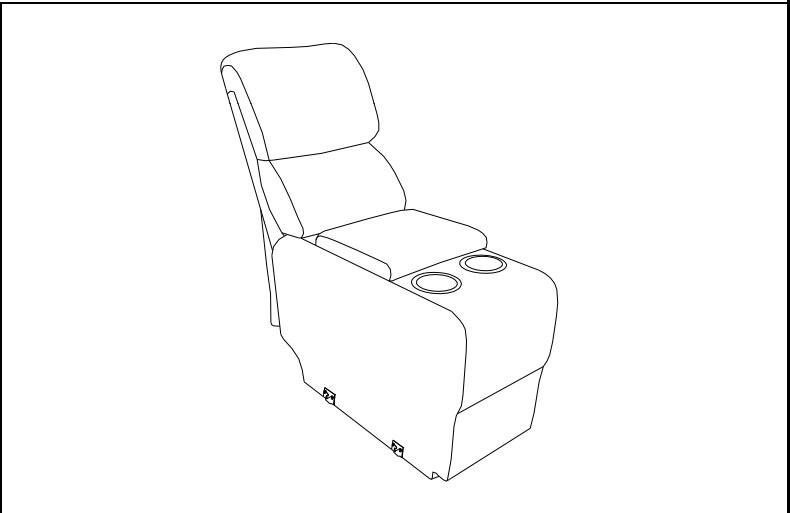
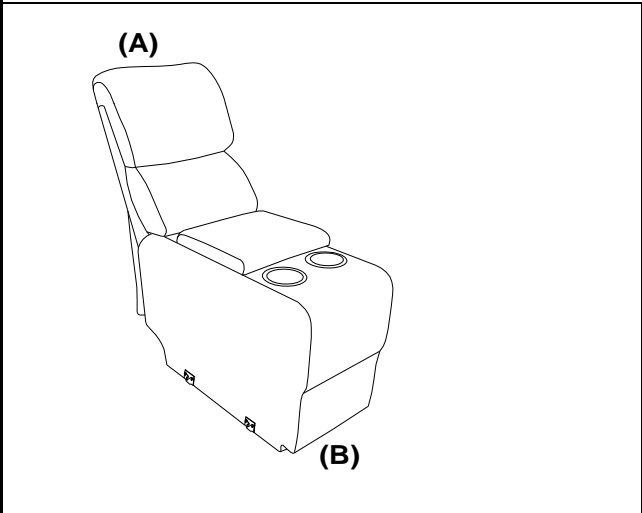
- 1.Don't attempt to repair or modify parts that are broken or defective. Please contact the store immediately.
- 2.This product is for home use only and not intended for commercial establishment.



ASSEMBLY TIME

2 MINUTES

## PARTS IDENTIFICATION



A BACK



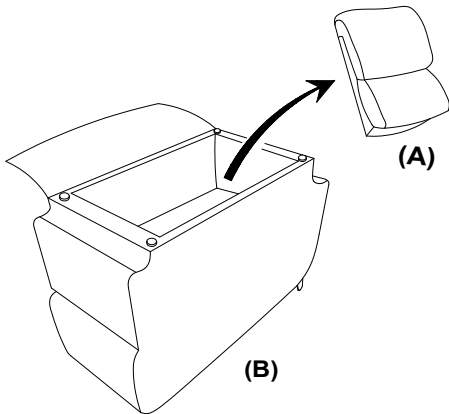
1PC

B BASE OF CONSOLE

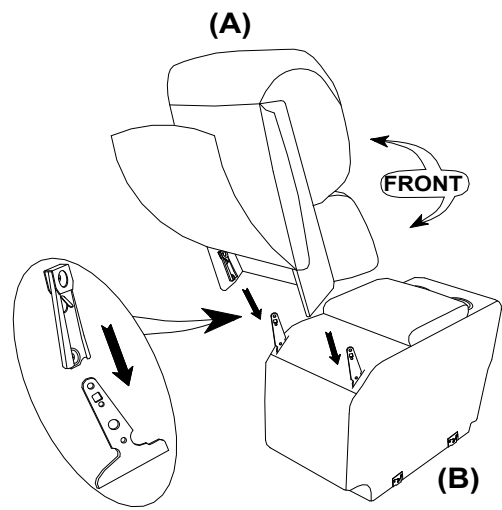


1PC

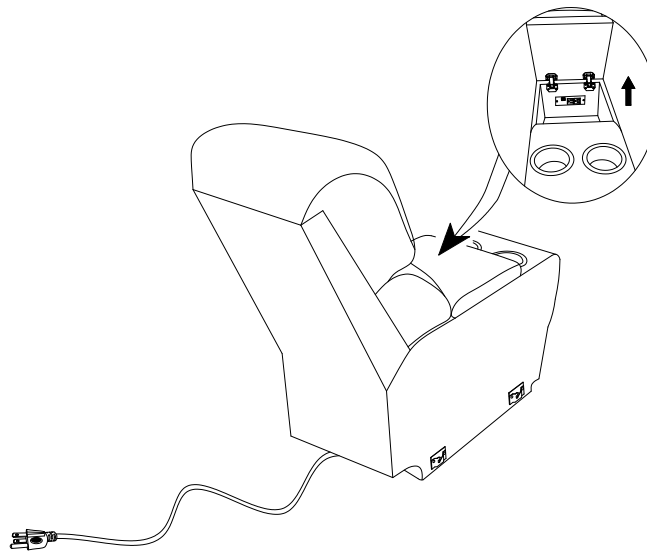
STEP 1



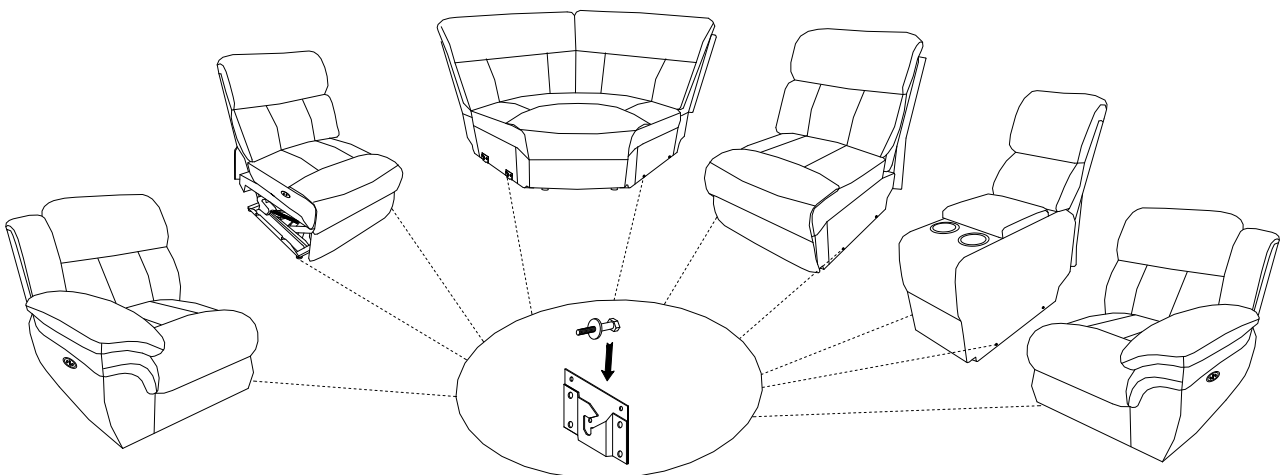
STEP 2



STEP 3



STEP 4



# ITEM : 609540AC

## ASSEMBLY INSTRUCTIONS



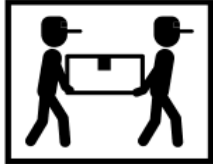
### ASSEMBLY TIPS:

- 1.Remove hardware from box and sort by size.
- 2.Please check to see that all hardware and parts are present prior to start of assembly.
- 3.Please follow attached instruction in the same sequence as numbered to assure fast & easy assembly.



### WARNING!

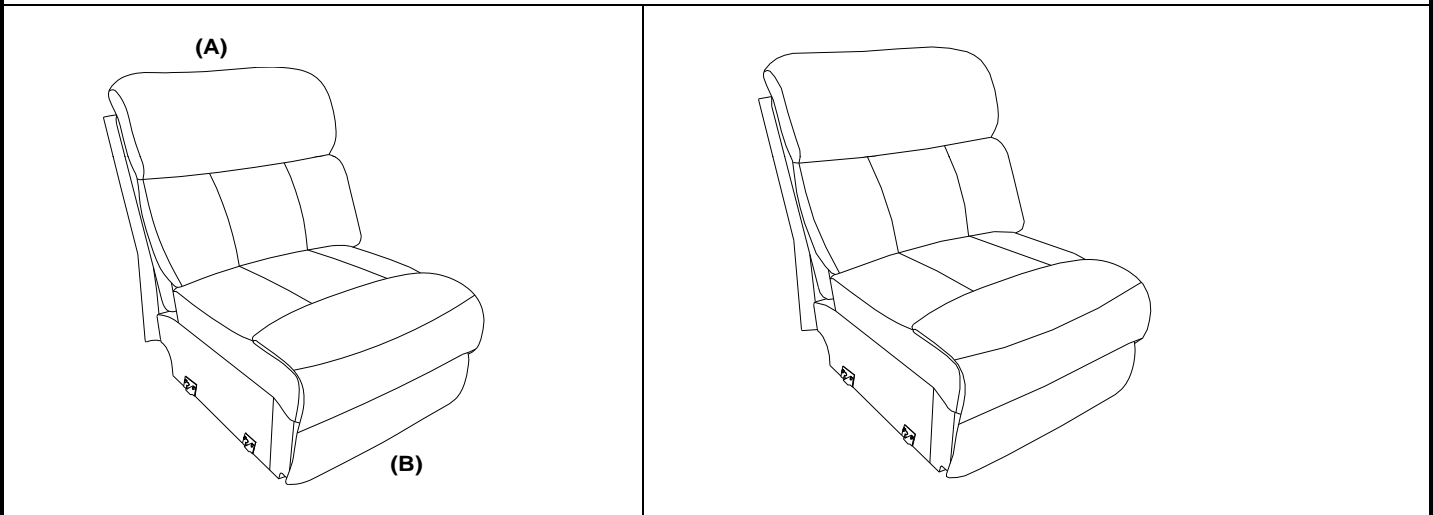
- 1.Don't attempt to repair or modify parts that are broken or defective. Please contact the store immediately.
- 2.This product is for home use only and not intended for commercial establishment.



ASSEMBLY TIME

2 MINUTES

## PARTS IDENTIFICATION



A BACK



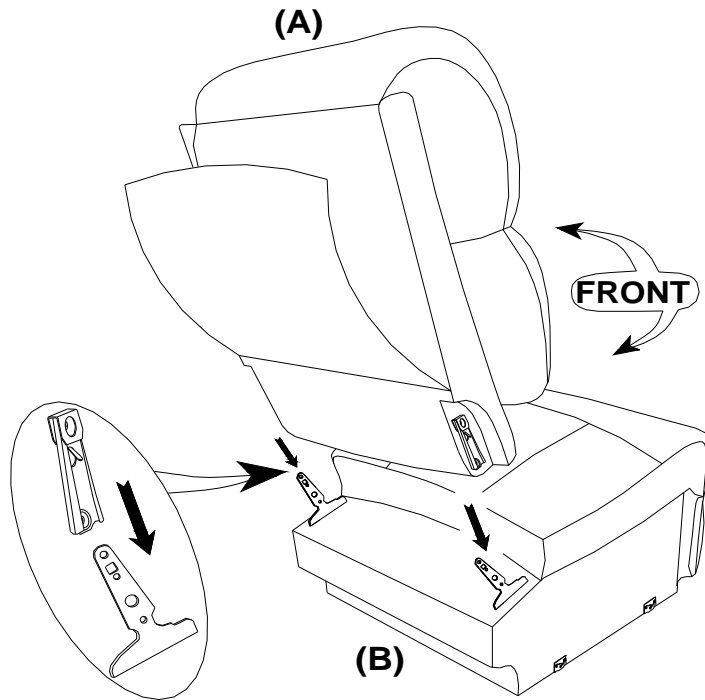
1PC

B BASE OF ARMLESS CHAIR

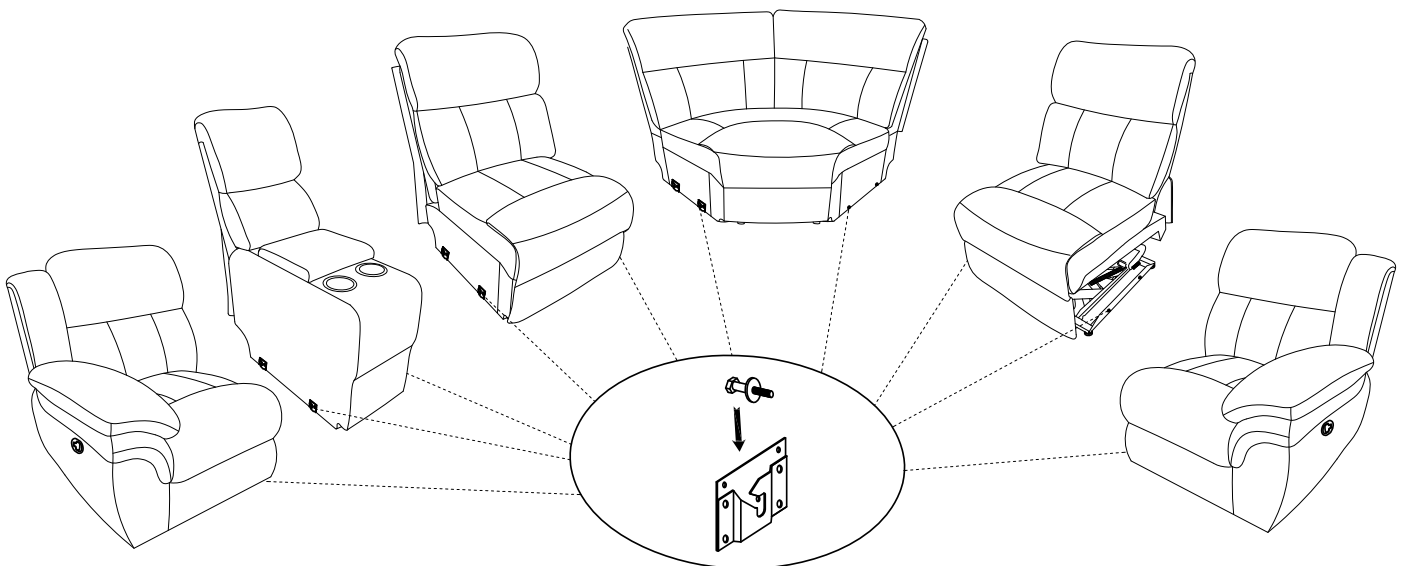


1PC

**STEP 1**



**STEP 2**



# ITEM : 609540WDG

## ASSEMBLY INSTRUCTIONS



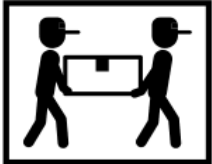
### ASSEMBLY TIPS:

- 1.Remove hardware from box and sort by size.
- 2.Please check to see that all hardware and parts are present prior to start of assembly.
- 3.Please follow attached instruction in the same sequence as numbered to assure fast & easy assembly.



### WARNING!

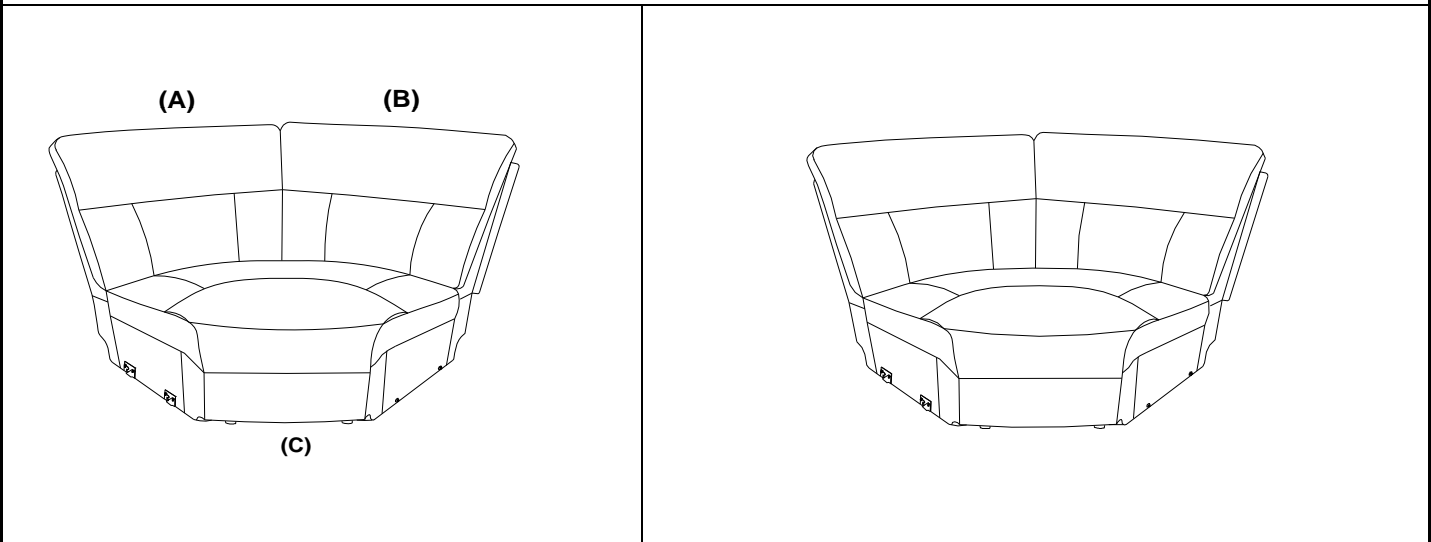
- 1.Don't attempt to repair or modify parts that are broken or defective. Please contact the store immediately.
- 2.This product is for home use only and not intended for commercial establishment.



ASSEMBLY TIME

5 MINUTES

## PARTS IDENTIFICATION



- A LEFT BACK
- B RIGHT BACK
- C BASE OF WEDGE



1PC



1PC

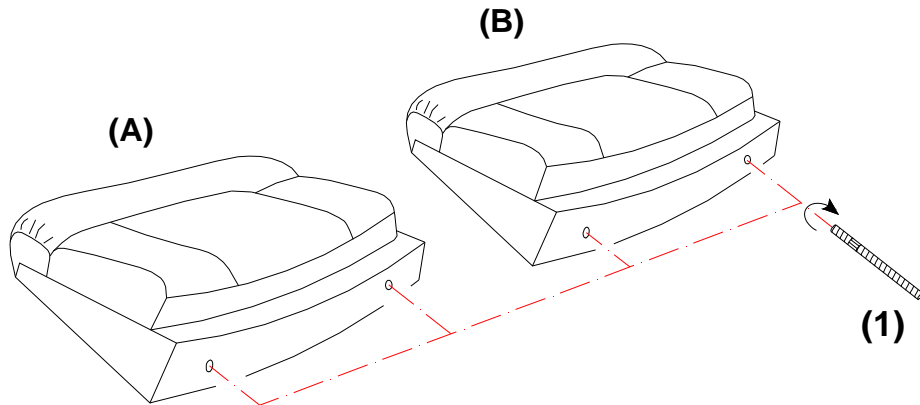


1PC

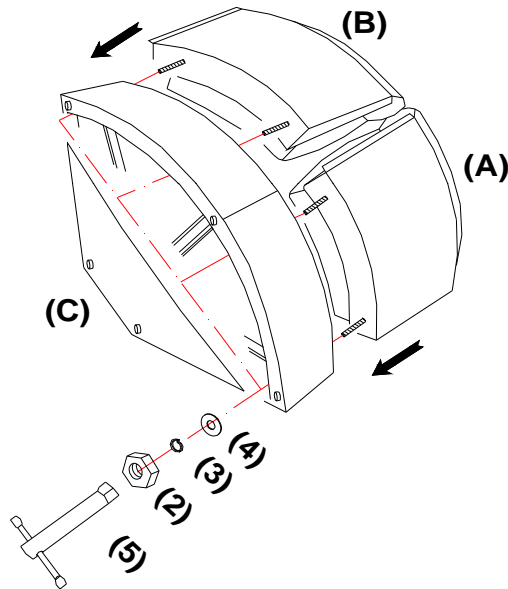
Z	HARDWARE PACKAGE		
NO	DESCRIPTION	FIGURE	QTY
1	THREADED RODS 5/16" * 100mm		4PCS
2	HEXAGON NUTS 5/16" * 13.5mm		4PCS
3	LOCK WASHER 5/16" * 13mm		4PCS+1PC SPARE
4	FLAT WASHER 5/16" * 19mm		4PCS+1PC SPARE
5	WRENCH 5/16"		1PC



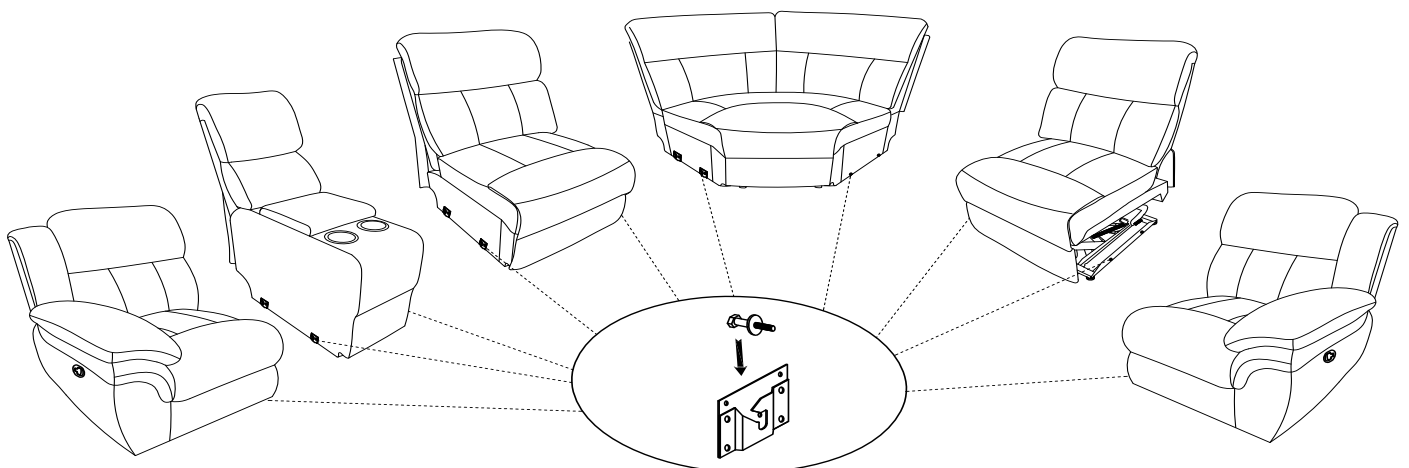
**STEP 1**



**STEP 2**



**STEP 3**



# ITEM : 609540AR

## ASSEMBLY INSTRUCTIONS



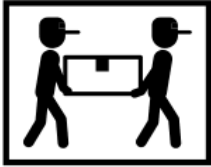
### ASSEMBLY TIPS:

- 1.Remove hardware from box and sort by size.
- 2.Please check to see that all hardware and parts are present prior to start of assembly.
- 3.Please follow attached instruction in the same sequence as numbered to assure fast & easy assembly.



### WARNING!

- 1.Don't attempt to repair or modify parts that are broken or defective. Please contact the store immediately.
- 2.This product is for home use only and not intended for commercial establishment.

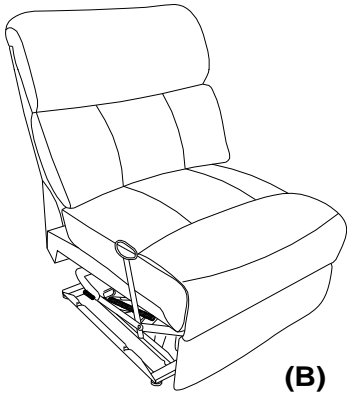


ASSEMBLY TIME

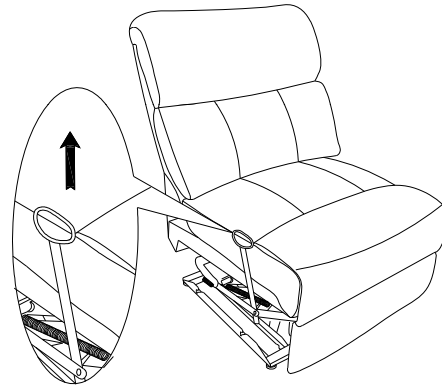
2 MINUTES

## PARTS IDENTIFICATION

(A)



(B)



A BACK



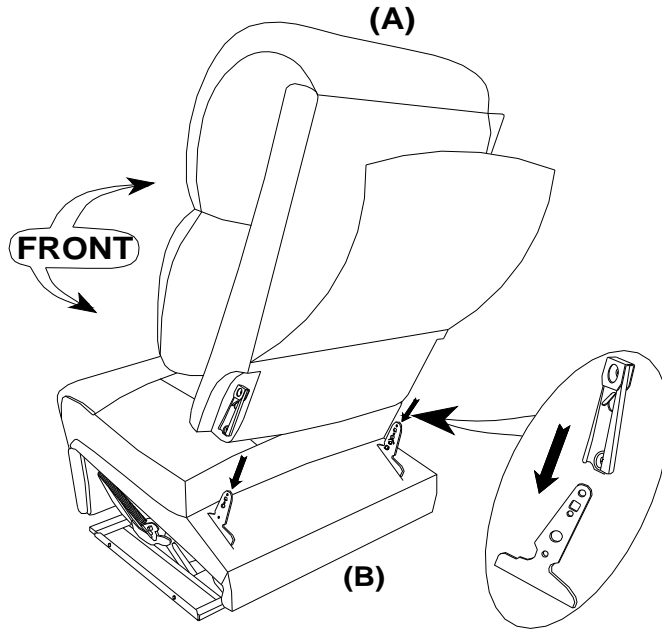
1PC

B BASE

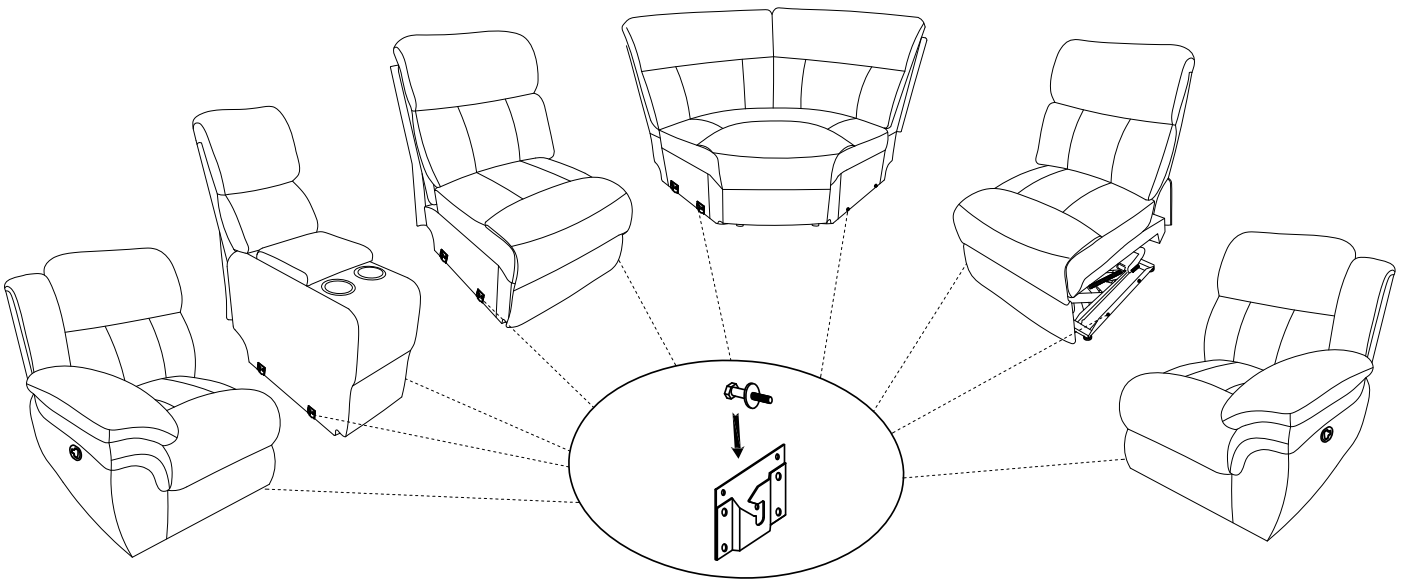


1PC

**STEP 1**



**STEP 2**



# ITEM : 609540RR

## ASSEMBLY INSTRUCTIONS



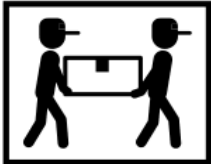
### ASSEMBLY TIPS:

- 1.Remove hardware from box and sort by size.
- 2.Please check to see that all hardware and parts are present prior to start of assembly.
- 3.Please follow attached instruction in the same sequence as numbered to assure fast & easy assembly.



### WARNING!

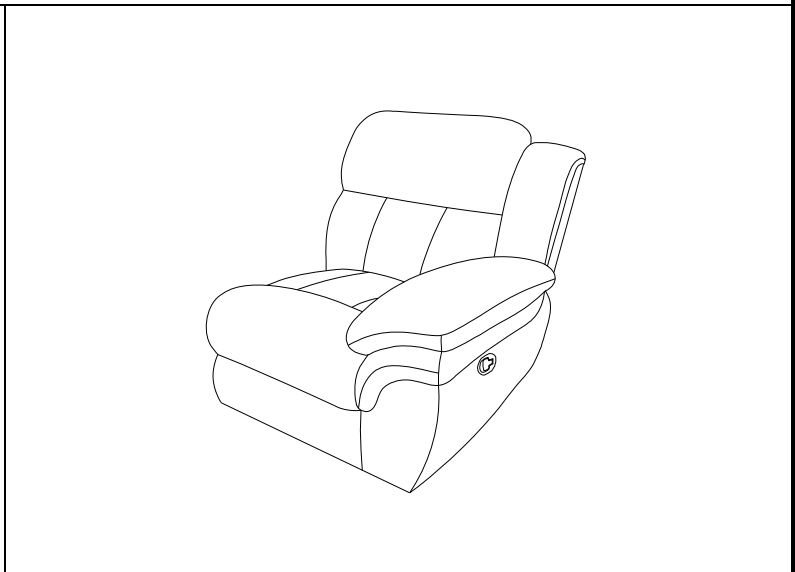
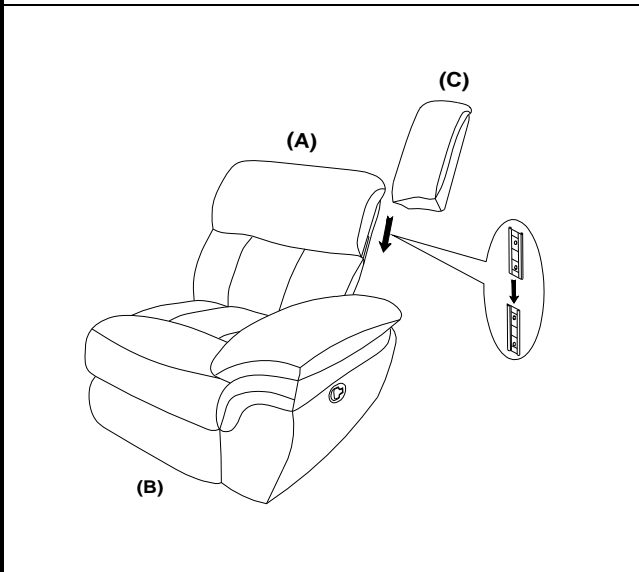
- 1.Don't attempt to repair or modify parts that are broken or defective. Please contact the store immediately.
- 2.This product is for home use only and not intended for commercial establishment.



ASSEMBLY TIME

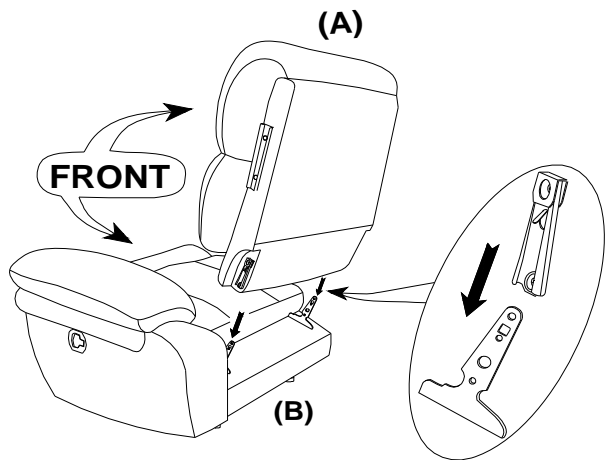
5 MINUTES

## PARTS IDENTIFICATION

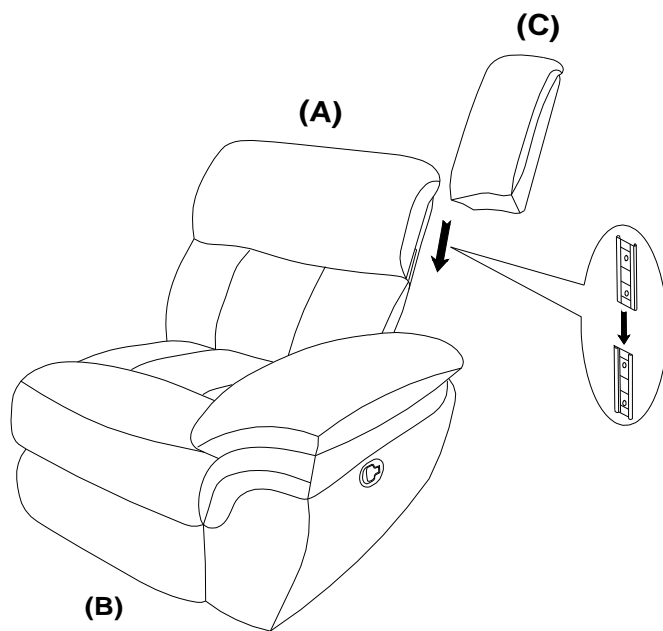


A	BACK		1PC
B	BASE		1PC
C	RIGHT EAR		1PC

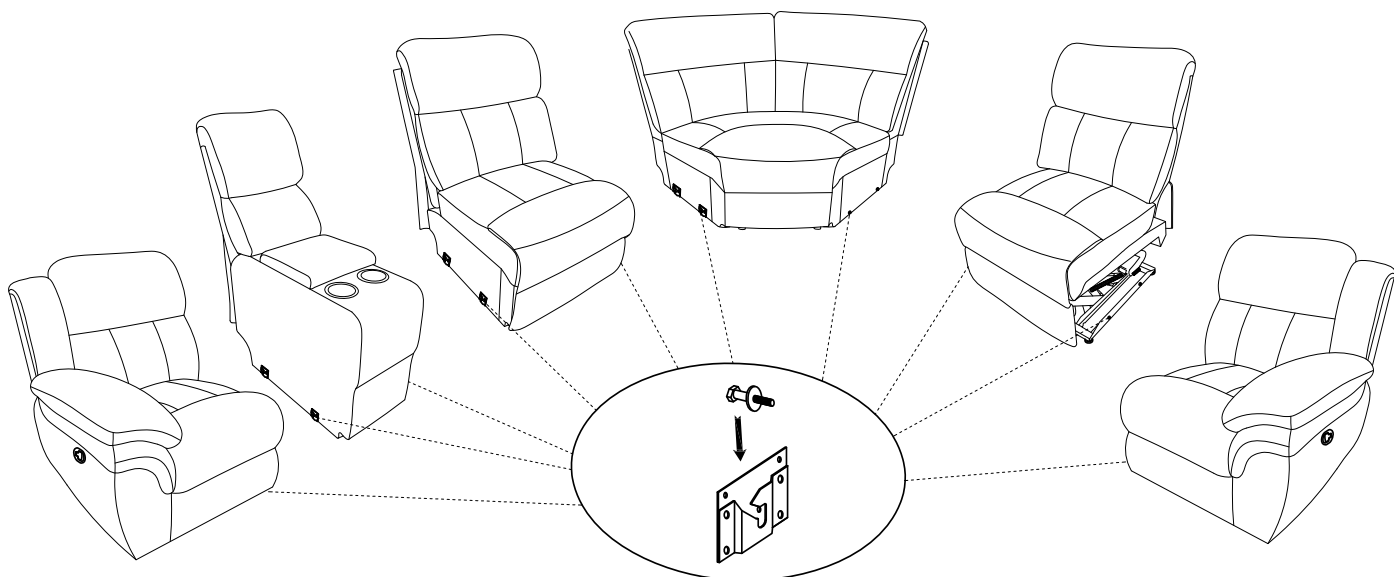
STEP 1



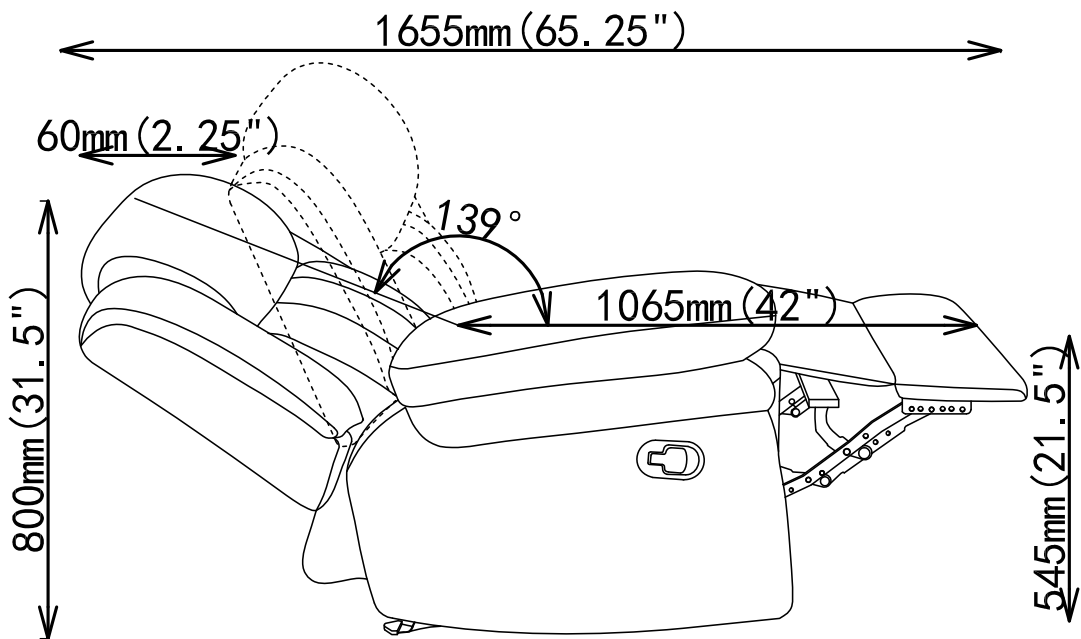
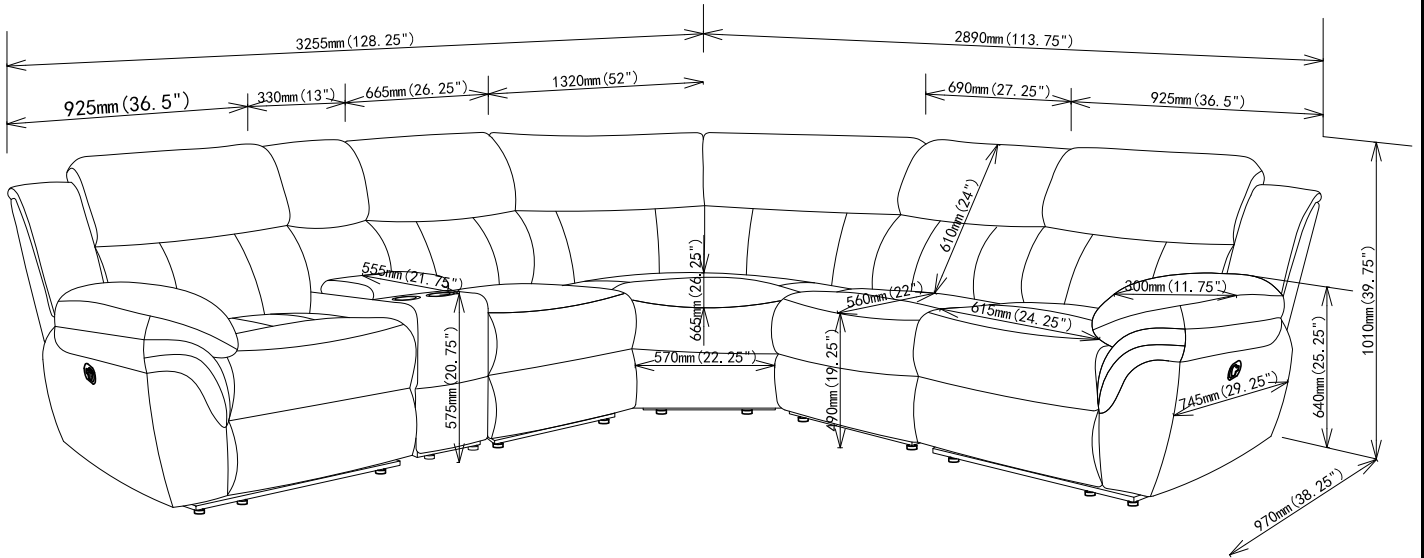
STEP 2



STEP 3



# 609540



Note: Dimension tolerance ±5%