



ASSEMBLY INSTRUCTIONS
COASTER FINE FURNITURE



Fine Furniture for every stage of life

110711
DINING TABLE

ITEM:110711



ASSEMBLY INSTRUCTIONS

ASSEMBLY TIPS:

1. Remove hardware from box and sort by size.
2. Please check to see that all hardware and parts are present prior to start of assembly.
3. Please follow attached instructions in the same sequence as numbered to assure fast & easy assembly.



WARNING!

1. Don't attempt to repair or modify parts that are broken or defective. Please contact the store immediately.
2. This product is for home use only and not intended for commercial establishments.



ASSEMBLY TIME

20 MINUTES

PARTS IDENTIFICATION

A TOP 1PC



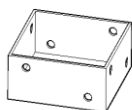
B LONG LEG 2PCS



C SHORT LEG 2PC



D LEG CONNECTOR 1PC



NOTE:

Phillips head screw driver is required in the assembly process; however, manufacturer does not provide this item.

ITEM:110711



ASSEMBLY INSTRUCTIONS

ASSEMBLY TIPS:

1. Remove hardware from box and sort by size.
2. Please check to see that all hardware and parts are present prior to start of assembly.
3. Please follow attached instructions in the same sequence as numbered to assure fast & easy assembly.



WARNING!






1. Don't attempt to repair or modify parts that are broken or defective. Please contact the store immediately.
2. This product is for home use only and not intended for commercial establishments.



ASSEMBLY TIME

20 MINUTES

HARDWARE IDENTIFICATION

1	ALLEN KEY (5MM)		1PC
2	ALLEN KEY (6MM)		1PC
3	ALLEN SCREW (M8*12)		8PCS
4	ALLEN SCREW (M8*35)		4PCS
5	ADJUSTING FOOT (φ20*7*M6*13)		4PCS

NOTE:

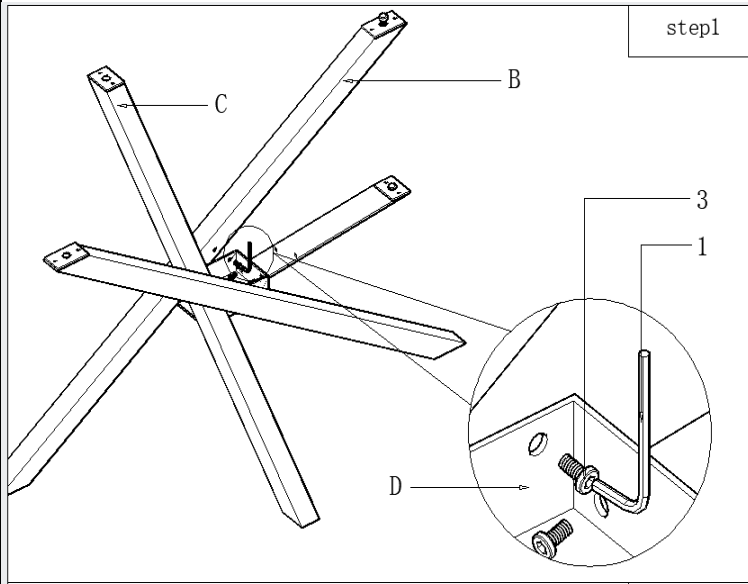
Phillips head screw driver is required in the assembly process; however, manufacturer does not provide this item.

ITEM:110711



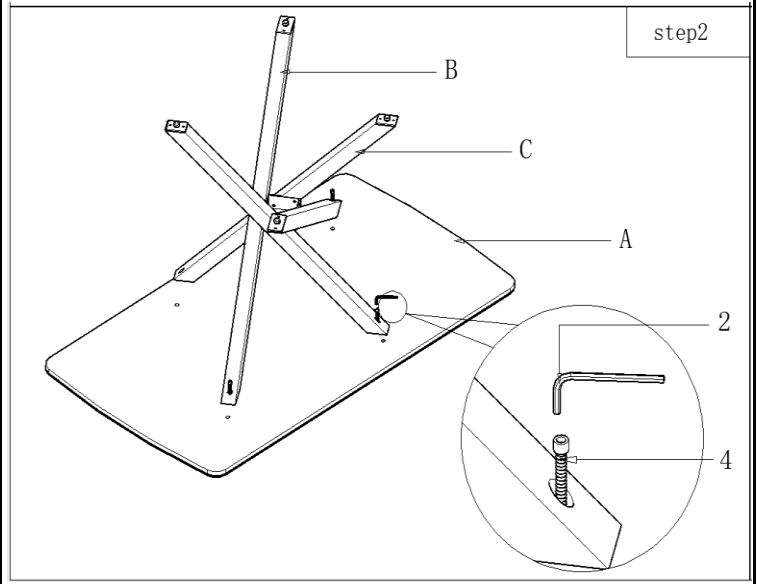
ASSEMBLY INSTRUCTIONS

STEP:1

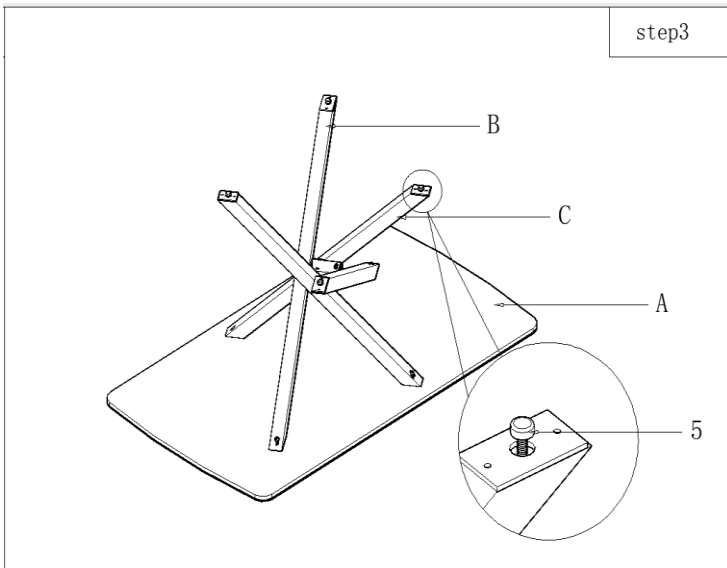


Do not totally tighten the screws 3

STEP:2



STEP:3



tighten the screws 3 in the final step

COMPLETE



ITEM:110711

ASSEMBLY INSTRUCTIONS

