



ASSEMBLY INSTRUCTIONS
COASTER FINE FURNITURE



Fine Furniture for every stage of life

110712
DINING CHAIR

ITEM:110712



ASSEMBLY INSTRUCTIONS

ASSEMBLY TIPS:

1. Remove hardware from box and sort by size.
2. Please check to see that all hardware and parts are present prior to start of assembly.
3. Please follow attached instructions in the same sequence as numbered to assure fast & easy assembly.



WARNING!

1. Don't attempt to repair or modify parts that are broken or defective. Please contact the store immediately.
2. This product is for home use only and not intended for commercial establishments.



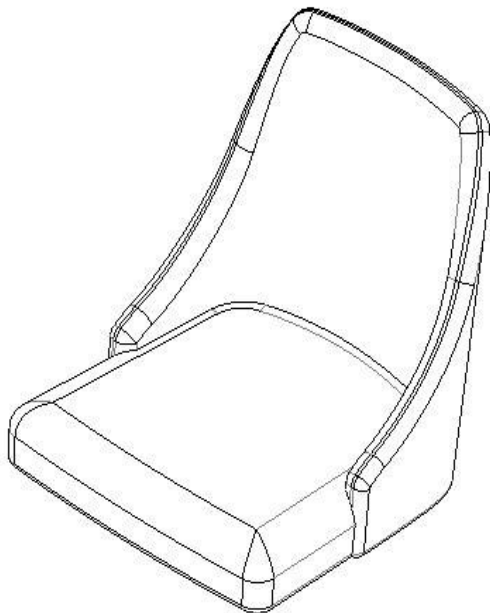
ASSEMBLY TIME

5 MINUTES

PARTS IDENTIFICATION

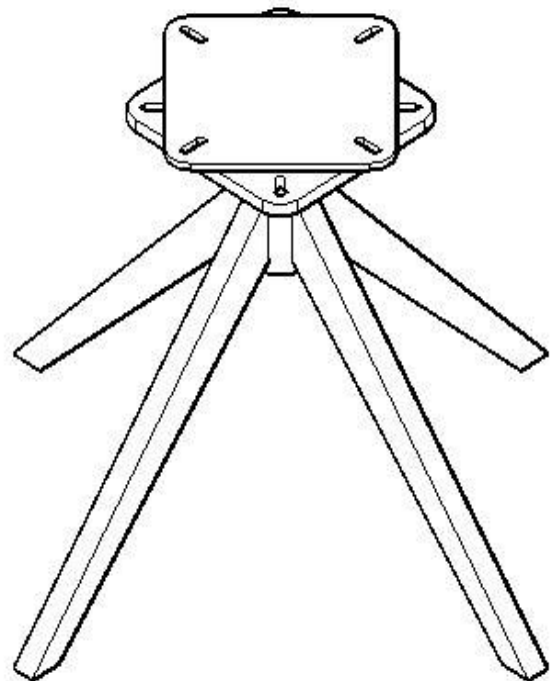
A SEAT

1PC



B BASE

1PCS



NOTE:

Phillips head screw driver is required in the assembly process; however, manufacturer does not provide this item.

ITEM:110712



ASSEMBLY INSTRUCTIONS

ASSEMBLY TIPS:

1. Remove hardware from box and sort by size.
2. Please check to see that all hardware and parts are present prior to start of assembly.
3. Please follow attached instructions in the same sequence as numbered to assure fast & easy assembly.



WARNING!

1. Don't attempt to repair or modify parts that are broken or defective. Please contact the store immediately.
2. This product is for home use only and not intended for commercial establishments.

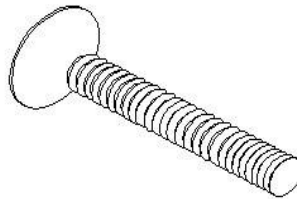


ASSEMBLY TIME

5 MINUTES

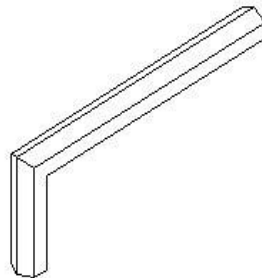
HARDWARE IDENTIFICATION

1 ALLEN SCREW
(M6*16)



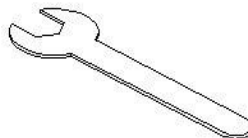
4PC

2 ALLEN KEY
(4MM)



1PC

3 OPEN-ENDED
WRENCH
(φ10)



1PCS

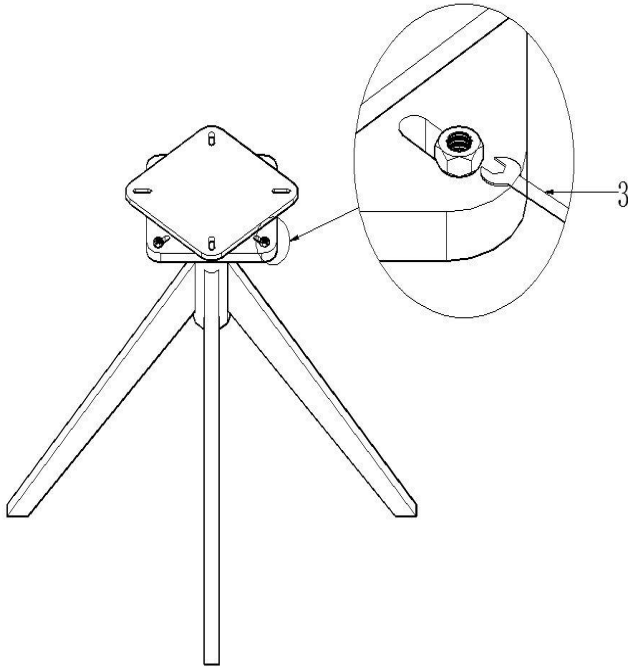
NOTE:

Phillips head screw driver is required in the assembly process; however, manufacturer does not provide this item.

ITEM: **110712**

ASSEMBLY INSTRUCTIONS

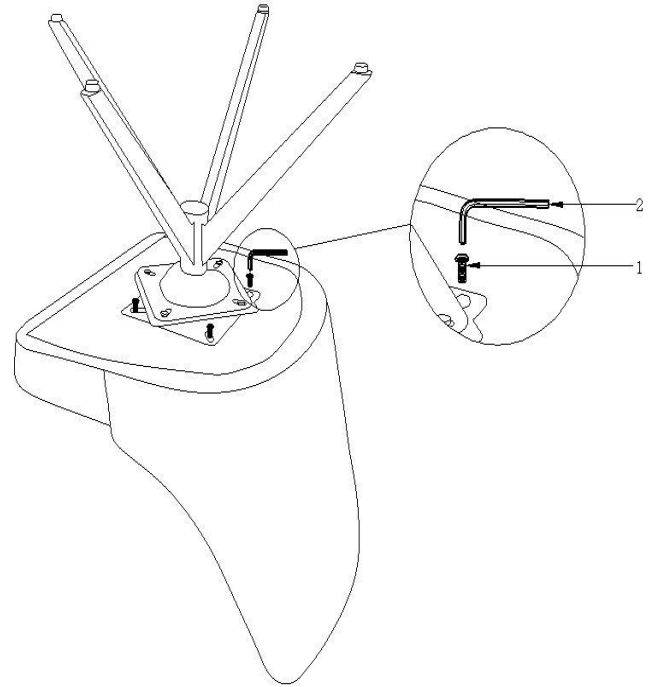
STEP:1



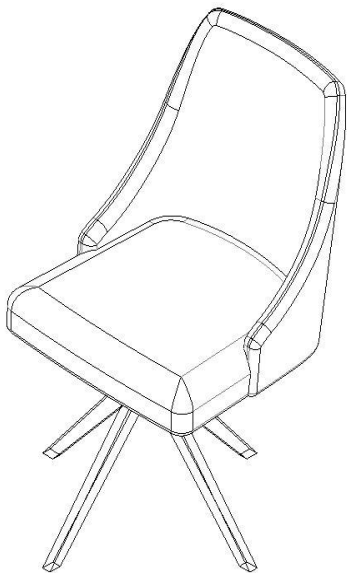
Please check and make sure all the screws are tighten properly.

COASTER
FINE FURNITURE

STEP:2



COMPLETE



360° swivel base



ITEM:110712



ASSEMBLY INSTRUCTIONS

