

ASSEMBLY INSTRUCTIONS
COASTER FINE FURNITURE



Fine Furniture for every stage of life

953565
ACCENT CABINET

ITEM:953565

ASSEMBLY INSTRUCTIONS

ASSEMBLY TIPS:

1. Remove hardware from box and sort by size.
2. Please check to see that all hardware and parts are present prior to start of assembly.
3. Please follow attached instructions in the same sequence as numbered to assure fast & easy assembly.



WARNING!

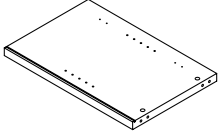
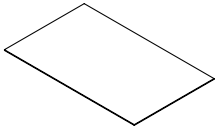
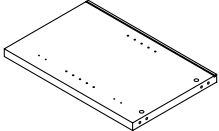
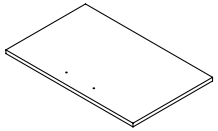
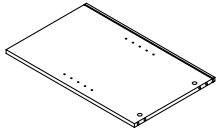
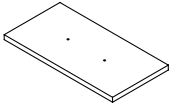
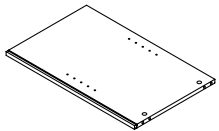
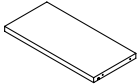
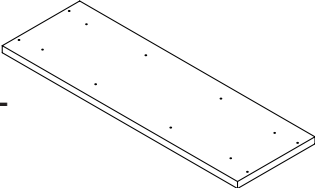
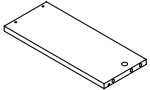
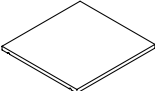
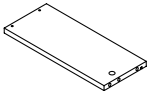
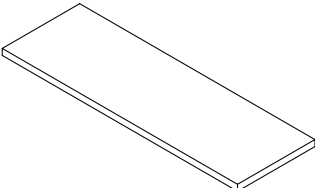
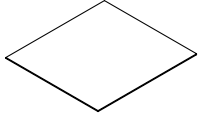
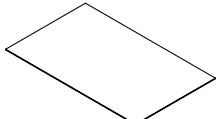
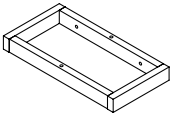
1. Don't attempt to repair or modify parts that are broken or defective. Please contact the store immediately.
2. This product is for home use only and not intended for commercial establishments.



ASSEMBLY TIME

90 MINUTES

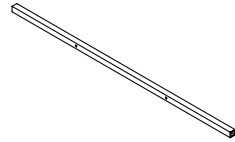
PARTS IDENTIFICATION

A	LEFT SIDE PANEL		1 PC	I	MIDDLE BACK PANEL		1 PC
B	RIGHT SIDE PANEL		1 PC	J	DOOR		2 PCS
C	LEFT DIVIDER PANEL		1 PC	K	DRAWER FRONT PANEL		3 PCS
D	RIGHT DIVIDER PANEL		1 PC	L	DRAWER BACK PANEL		3 PCS
E	BOTTOM PANEL		1 PC	M	DRAWER LEFT SIDE PANEL		3 PCS
F	ADJUSTABLE SHELF		2 PCS	N	DRAWER RIGHT SIDE PANEL		3 PCS
G	TOP PANEL		1 PC	O	DRAWER BOTTOM PANEL		3 PCS
H	BACK PANEL		2 PCS	P	LEG FRAME		2 PCS

NOTE:

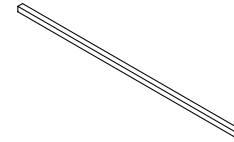
Phillips head screw driver is required in the assembly process; however, manufacturer does not provide this item.

Q UPPER CROSSBAR



1 PC

R LOWER CROSSBAR



1 PC

HARDWARE IDENTIFICATION

Z				Z			
NO	DESCRIPTION	FIGURE	Q'TY	NO	DESCRIPTION	FIGURE	Q'TY
1	GLUE 40g		1 PC	11	HANDLE BOLT Ø4x28mm BLK		10 PCS
2	WOODEN DOWEL Ø8x30mm		28 PCS	12	HINGE Ø35mm SR		4 PCS
3	CAM BOLT Ø7x35.5mm SR		14 PCS	13	HINGE SCREW Ø4x15mm SR		16 PCS
4	CAM LOCK Ø15x12mm SR		14 PCS	14	BOLT M6x58mm BLK		4 PCS
5	BOLT Ø9.5x55mm SR		8 PCS	15	BOLT Ø7x40mm BLK		4 PCS
6	SCREW Ø4.3x35mm SR		14 PCS	16	FLOOR PROTECTOR 40x20mm		4 PCS
7	PIN FOR ADJUSTABLE SHELF Ø4.9x15mm SR		8 PCS	17	ALLEN WRENCH 4mm SR		1 PC
8	GLIDES L = 350mm BLK		3 SET	18	FIXER		6 PCS
9	GLIDES SCREW Ø3x12mm BLK		36 PCS	19	FIXER SCREW Ø3x19mm SR		6 PCS
10	HANDLE L=137.5mm		5 PCS	20	STICKER-CEMENT		1 PC
				21	STICKER-WEATHERED OAK		2 PCS

Z8,Z10,Z12 not included in blister packaging.

NOTE:

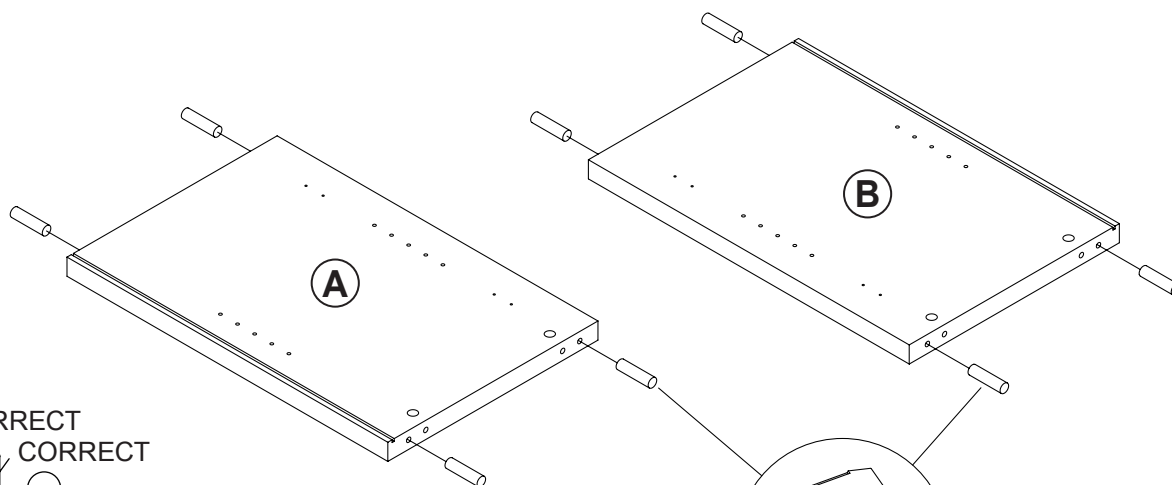
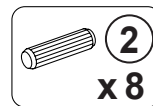
Phillips head screw driver is required in the assembly process; however, manufacturer does not provide this item.

ITEM: **953565**

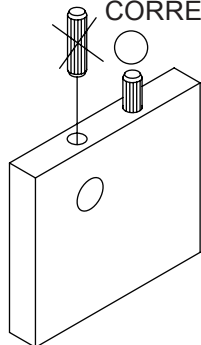
COASTER[®]

FINE FURNITURE

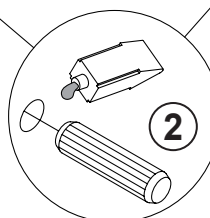
STEP 1



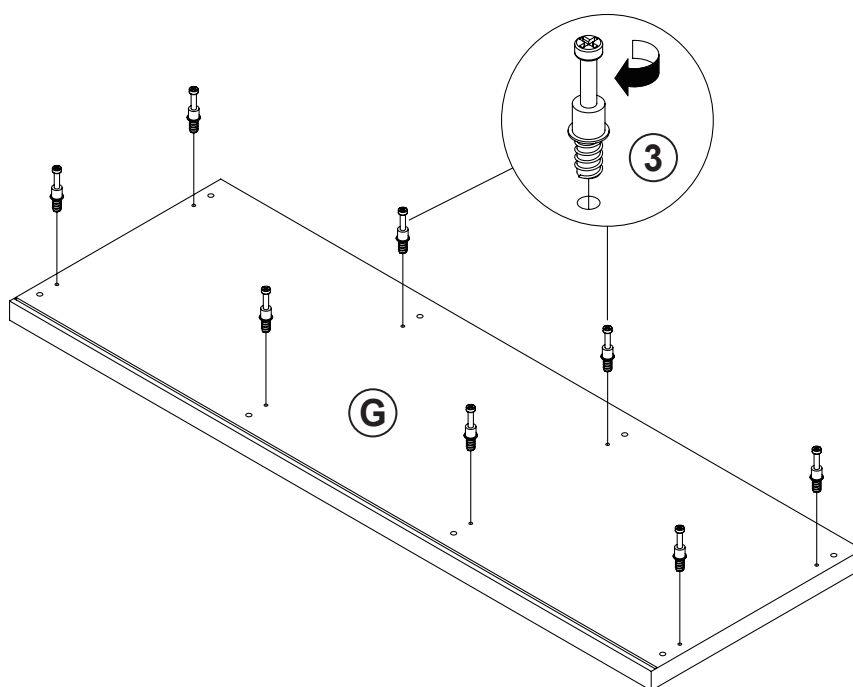
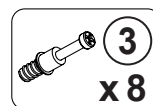
INCORRECT
CORRECT



Apply glue on all wooden dowels to ensure integrity of the structure.



STEP 2

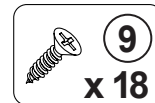


ITEM: **953565**

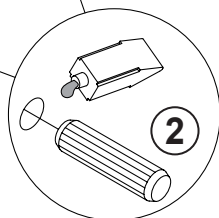
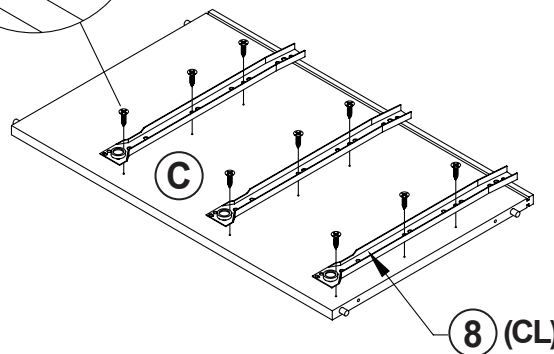
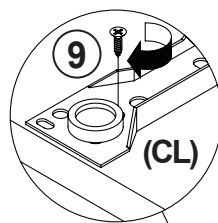
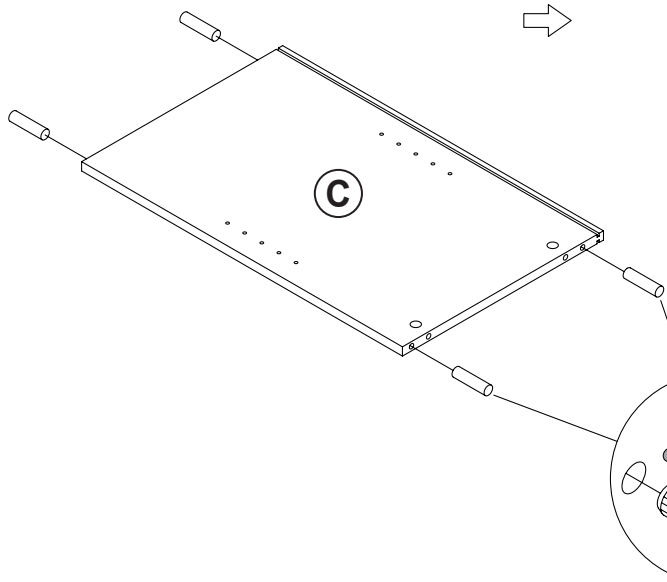
COASTER[®]

FINE FURNITURE

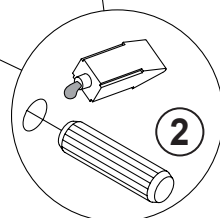
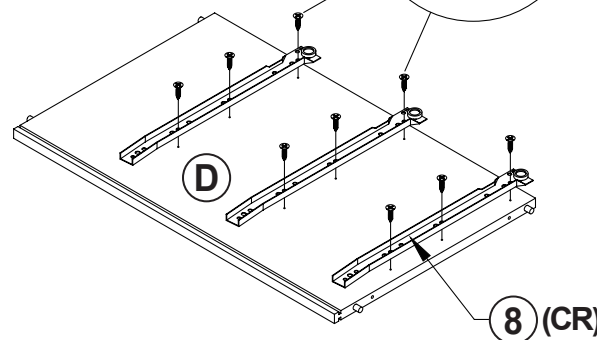
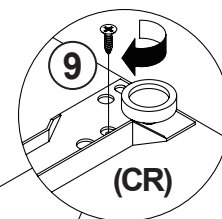
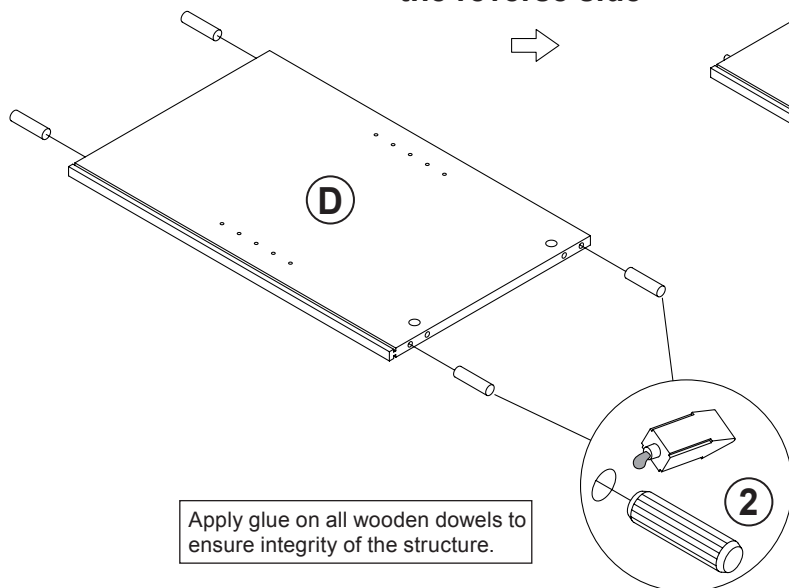
STEP 3



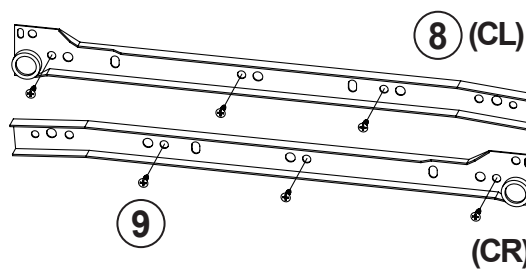
the reverse side



the reverse side



Apply glue on all wooden dowels to ensure integrity of the structure.

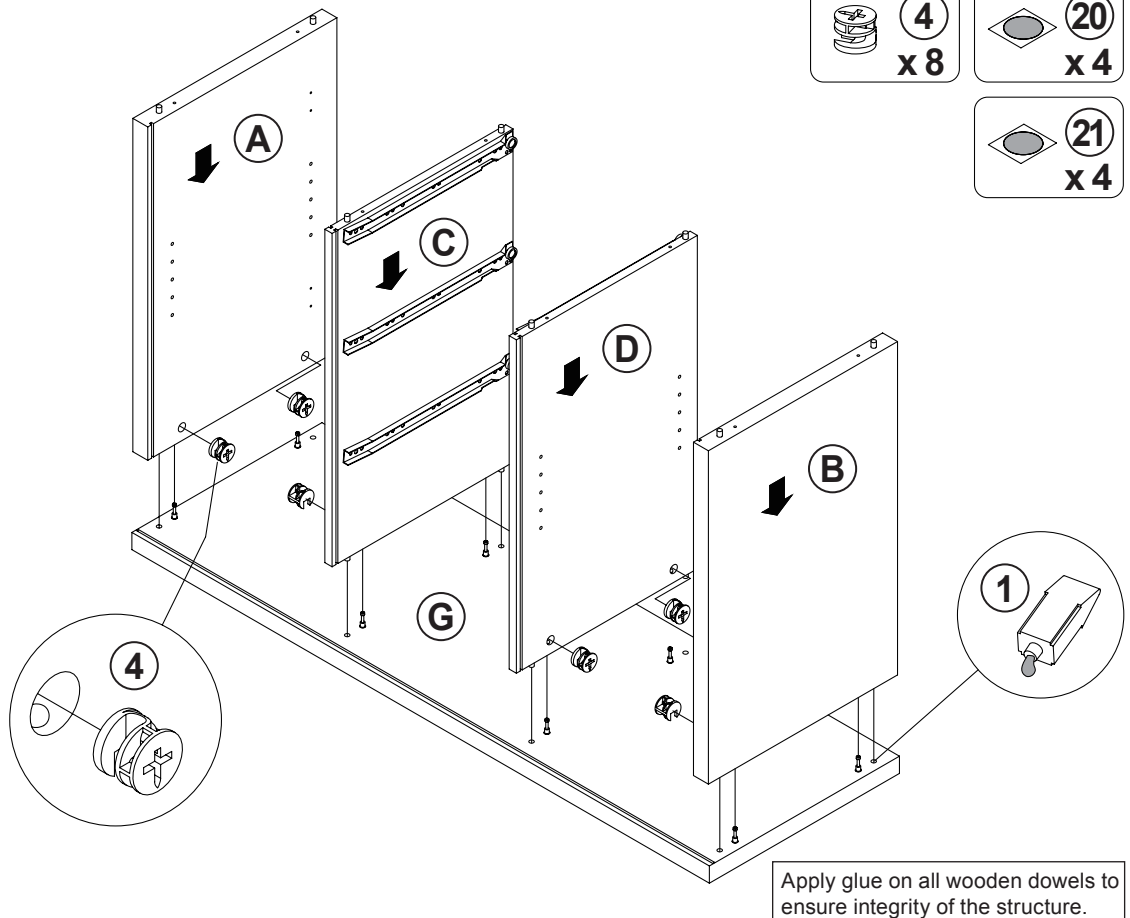
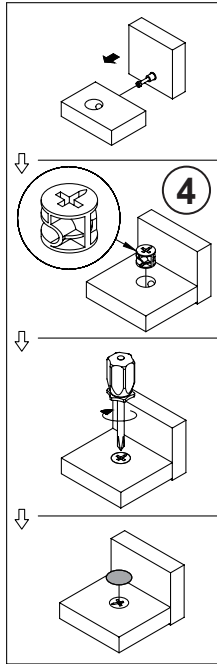
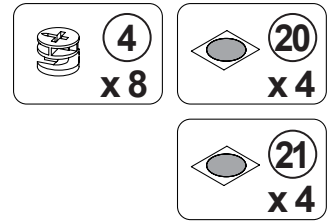


ITEM: **953565**

COASTER[®]

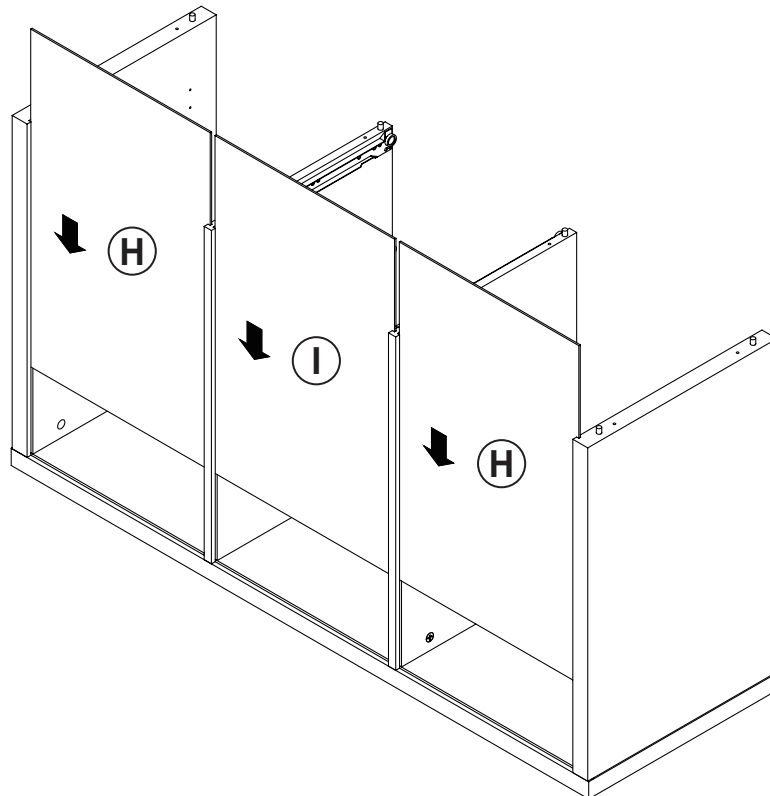
FINE FURNITURE

STEP 4



Apply glue on all wooden dowels to ensure integrity of the structure.

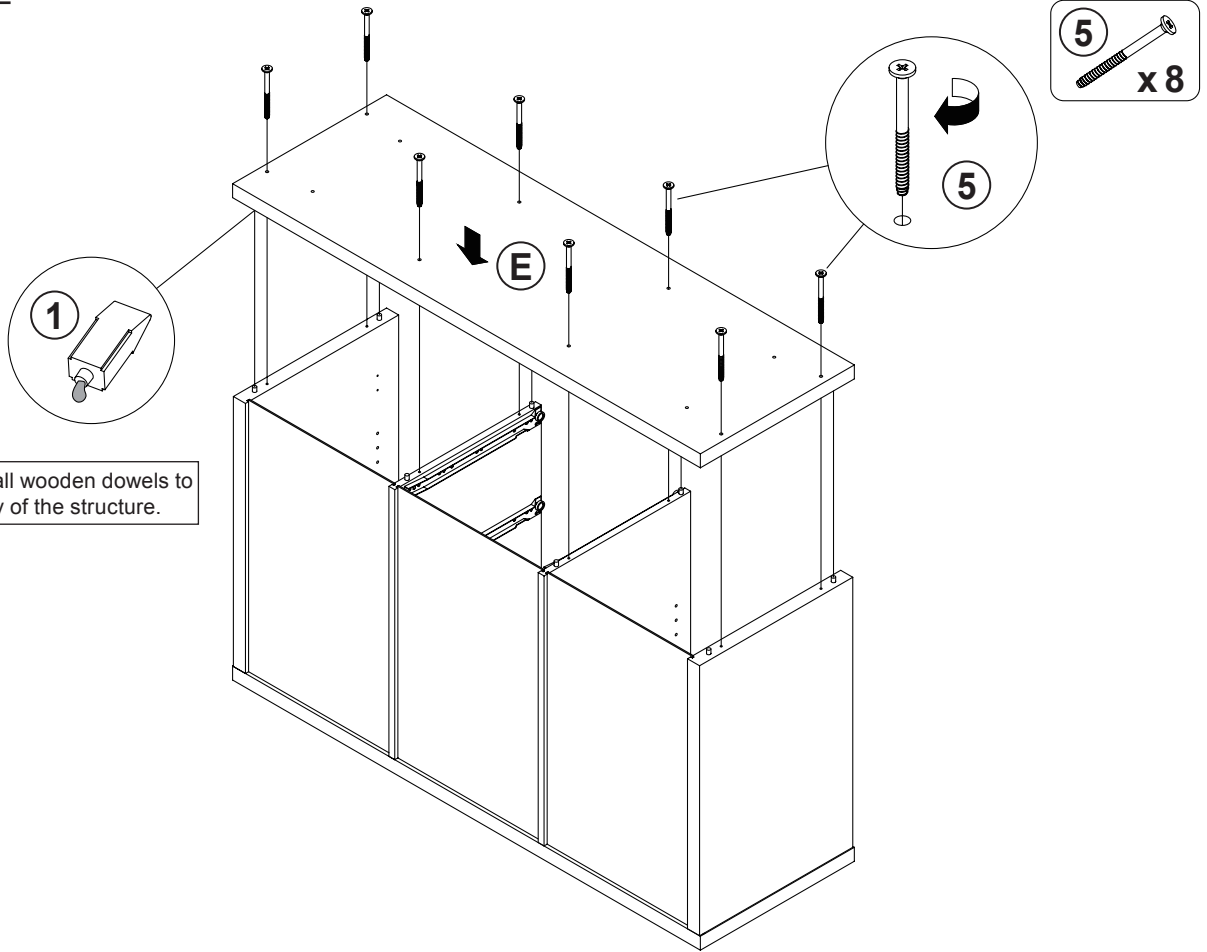
STEP 5



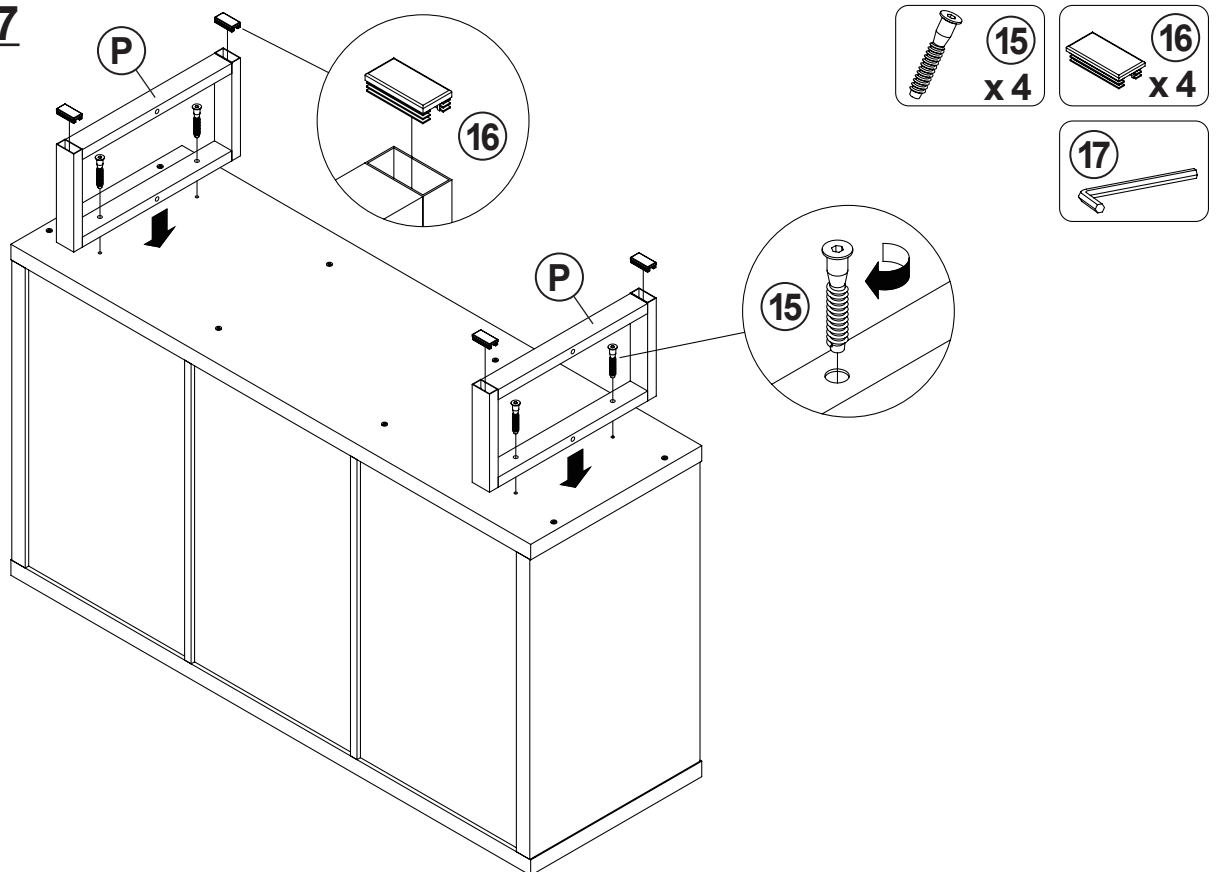
ITEM: **953565**

COASTER
FINE FURNITURE

STEP 6



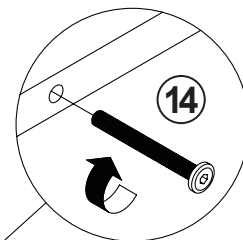
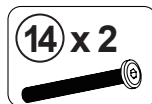
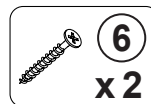
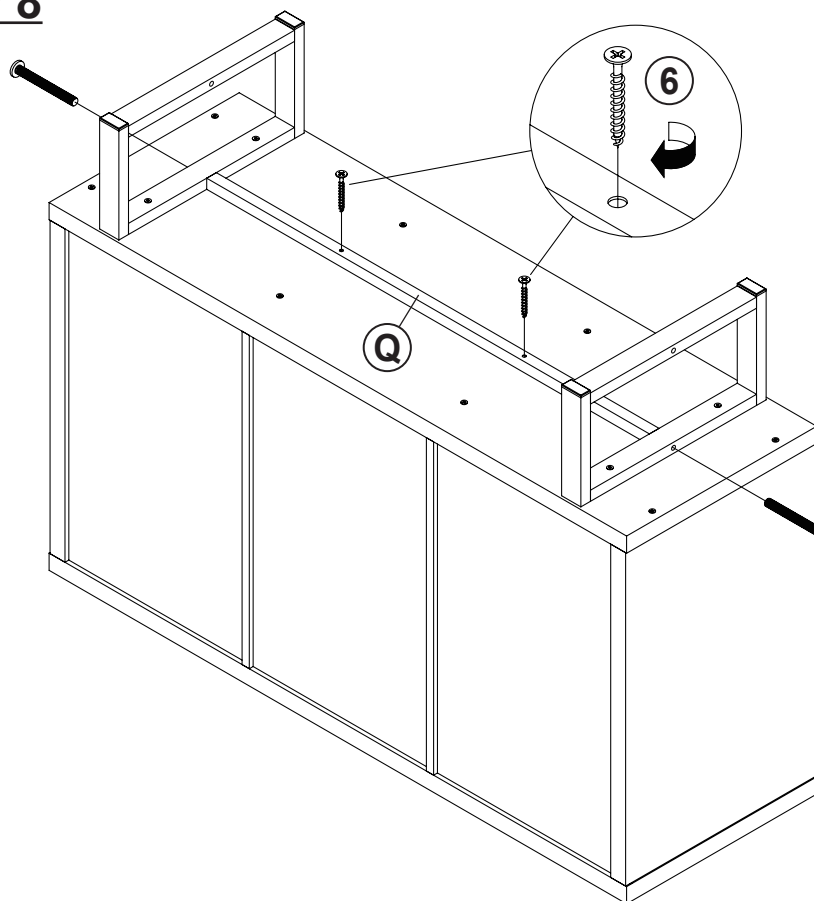
STEP 7



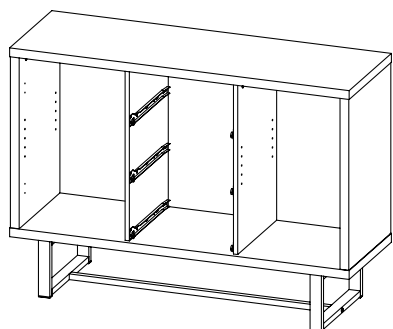
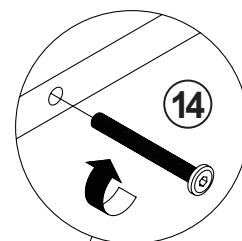
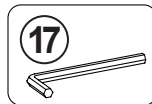
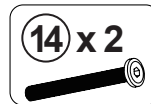
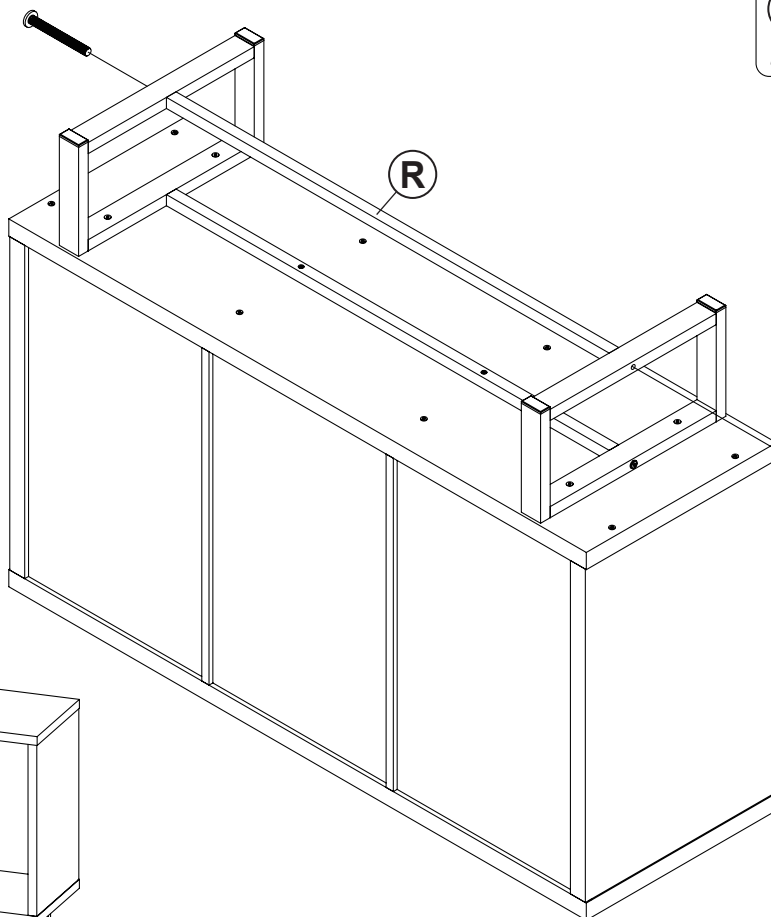
ITEM: 953565

COASTER
FINE FURNITURE

STEP 8

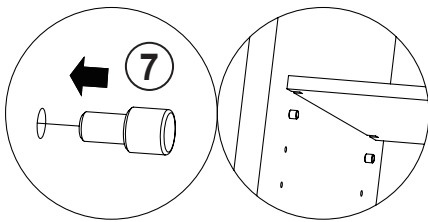
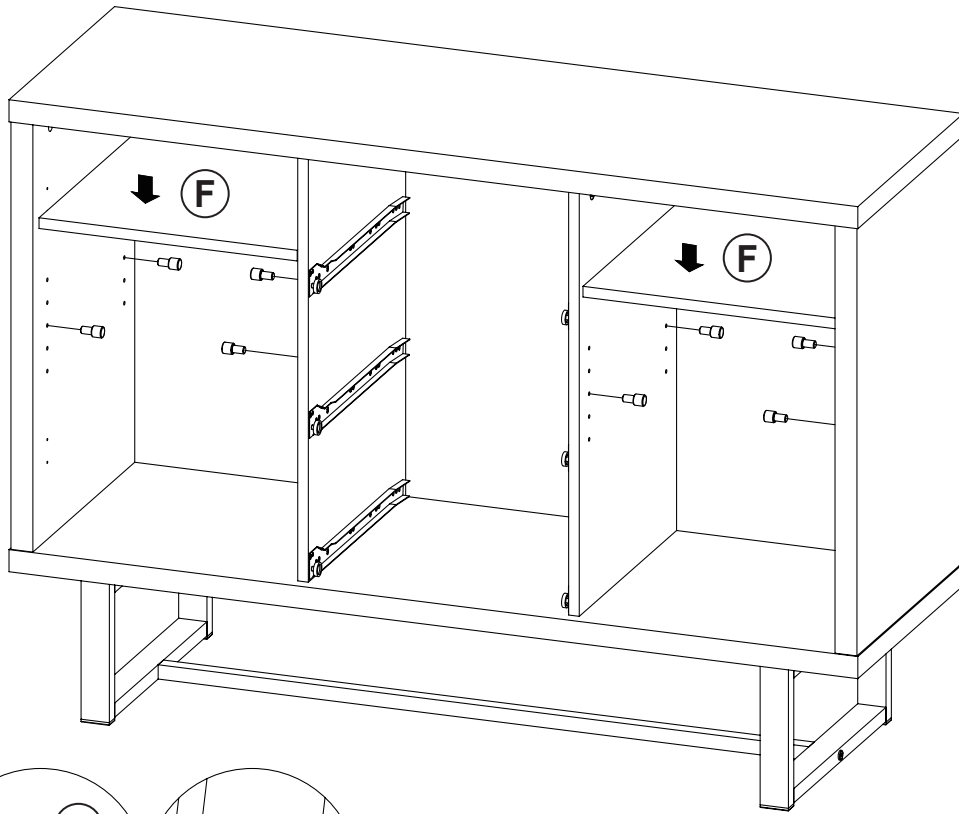
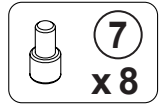


STEP 9

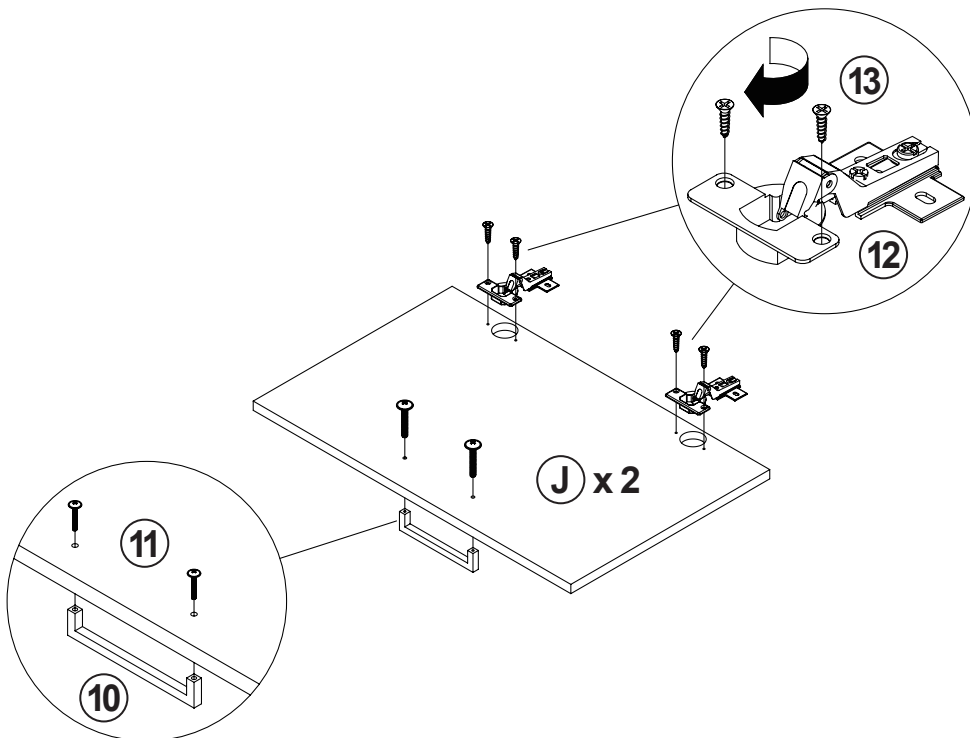
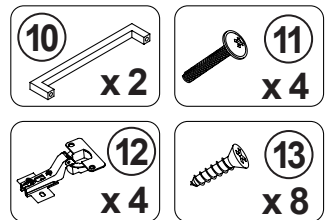


ITEM: **953565**

STEP 10

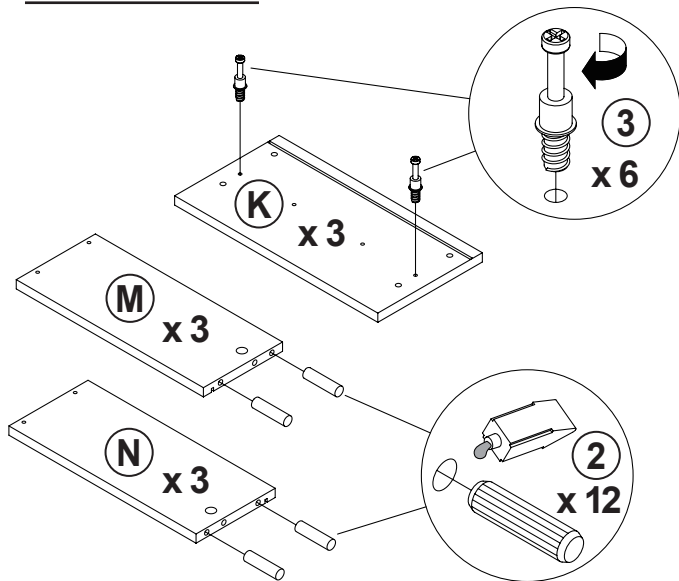


STEP 11

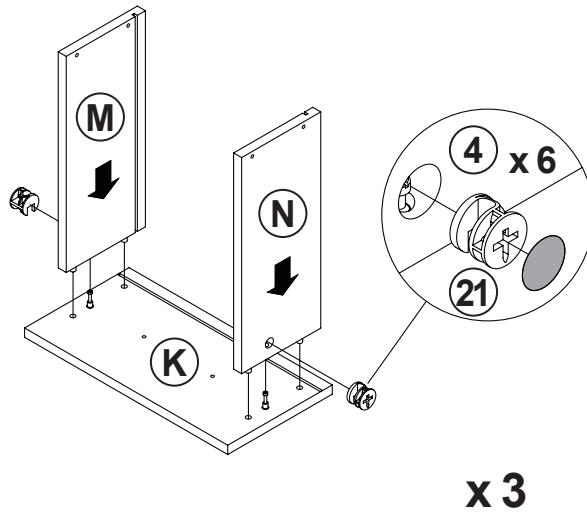


ITEM: 953565

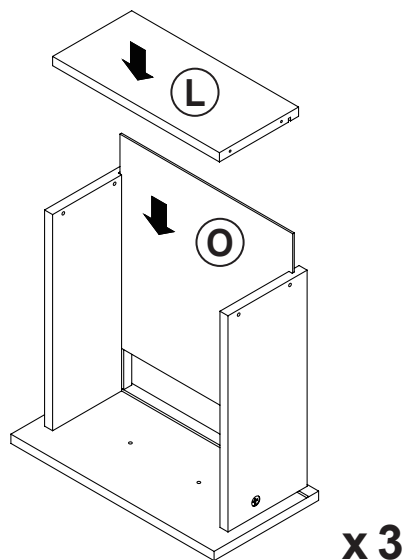
STEP 12-1



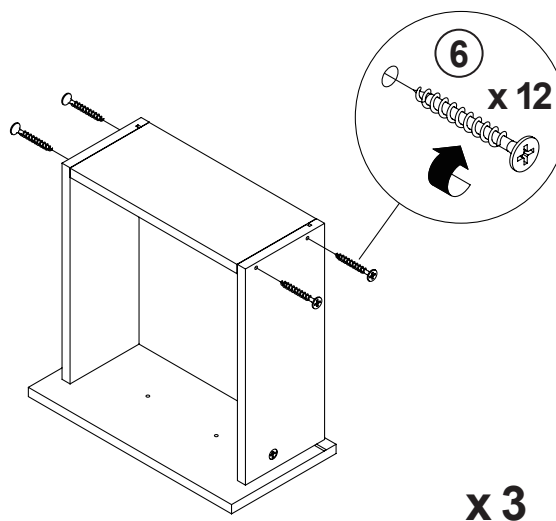
STEP 12-2



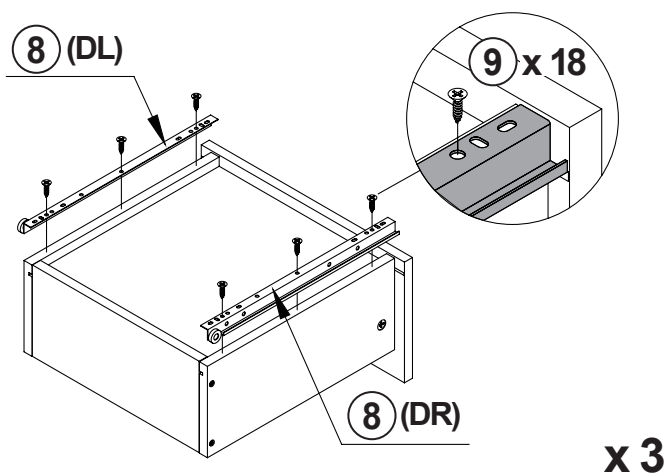
STEP 12-3



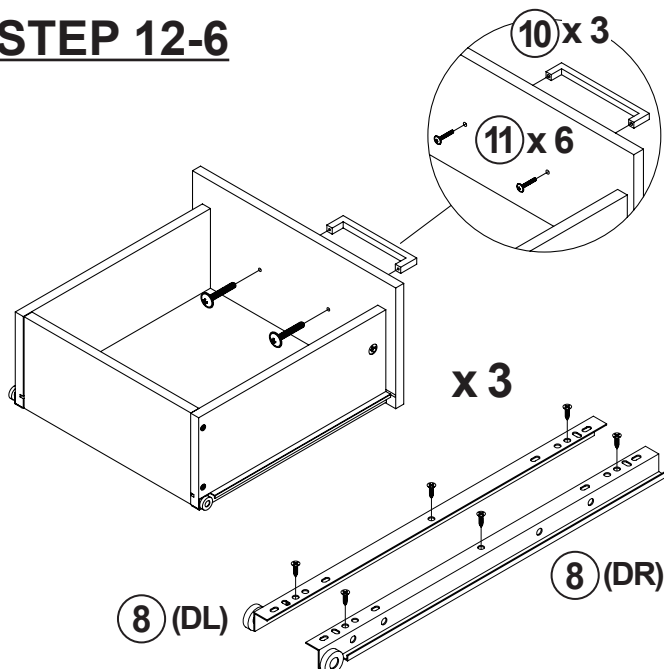
STEP 12-4



STEP 12-5



STEP 12-6

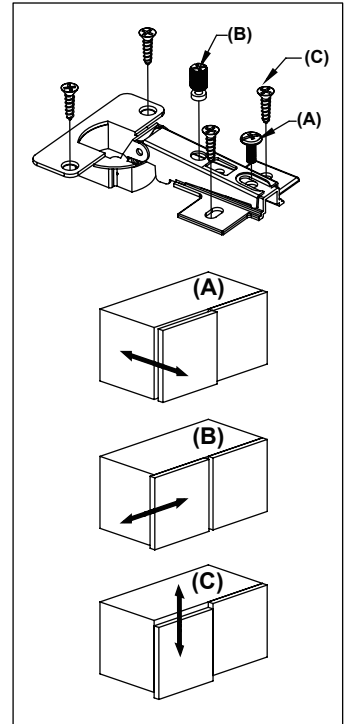
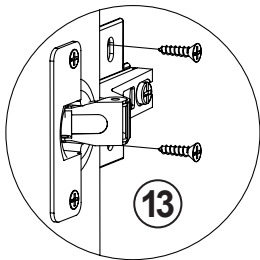
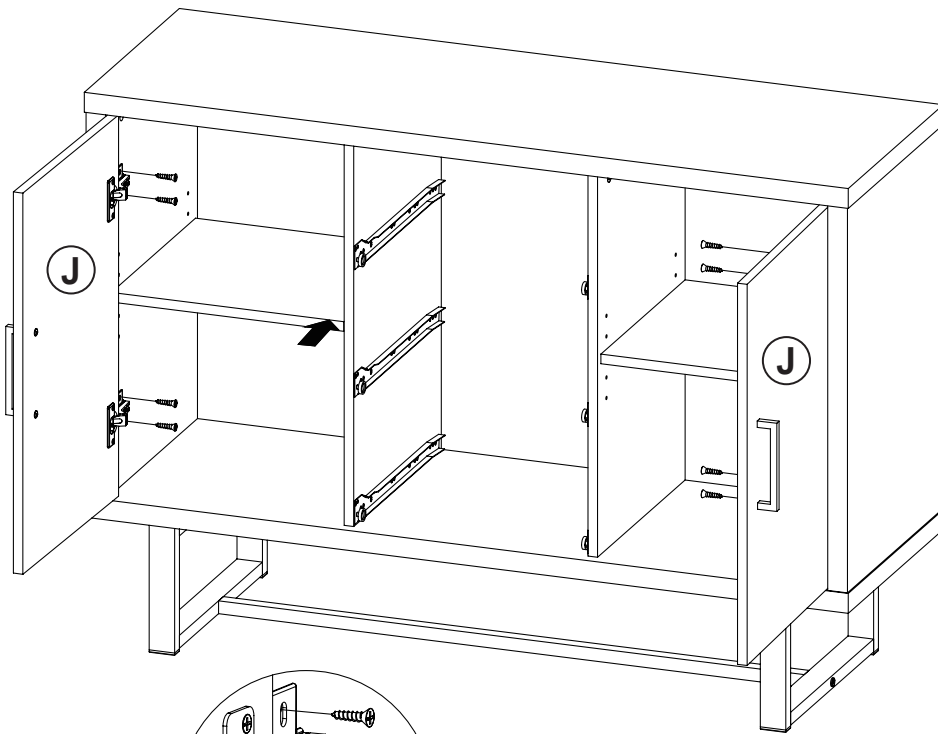


ITEM: **953565**

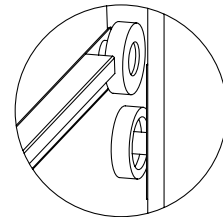
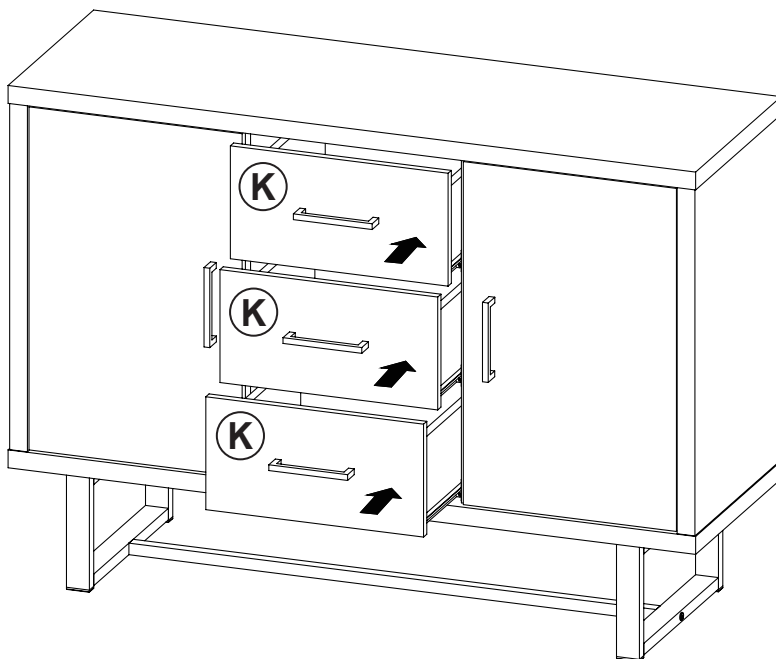
COASTER
FINE FURNITURE

STEP 13

13
x 8



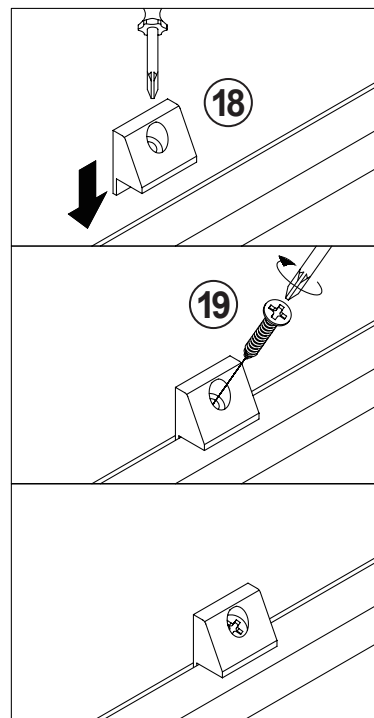
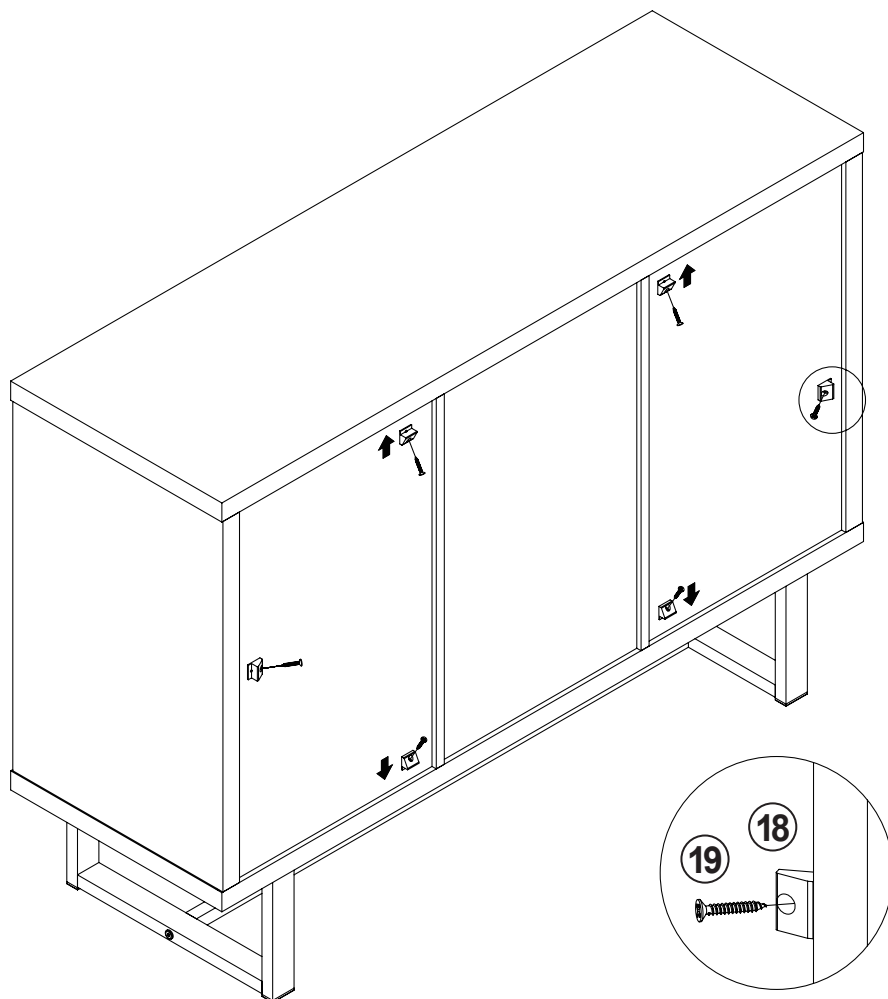
STEP 14



ITEM: **953565**

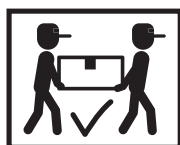
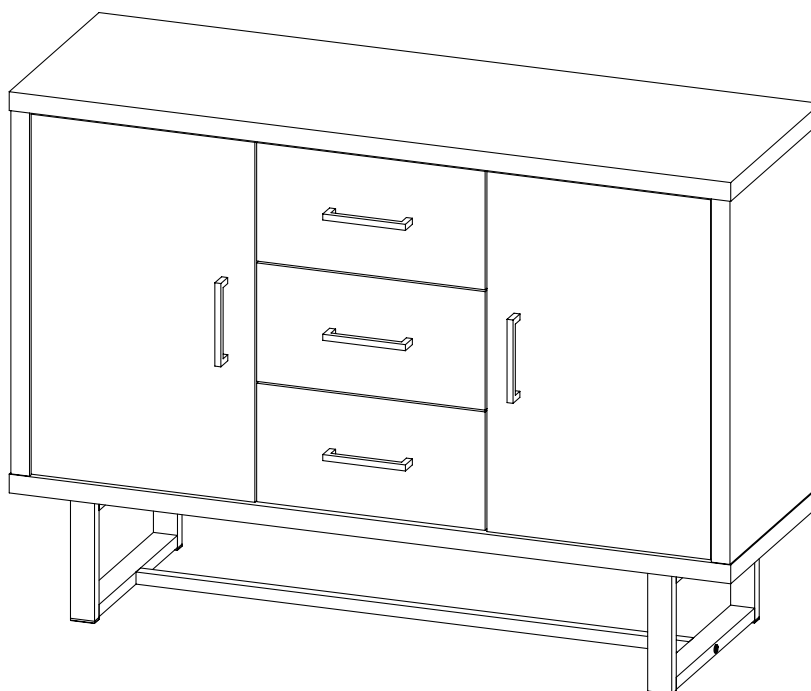
COASTER
FINE FURNITURE

STEP 15

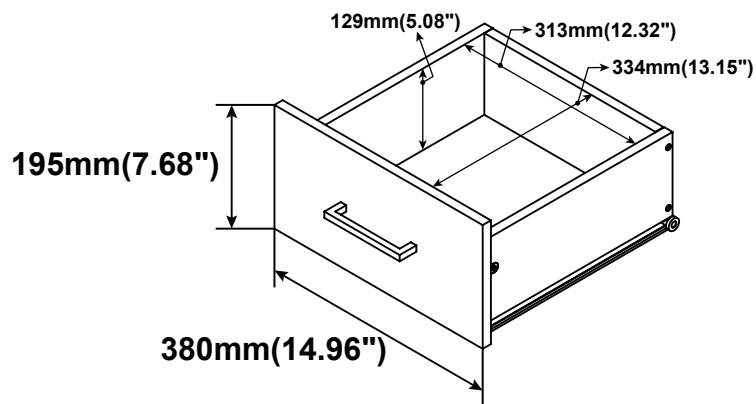
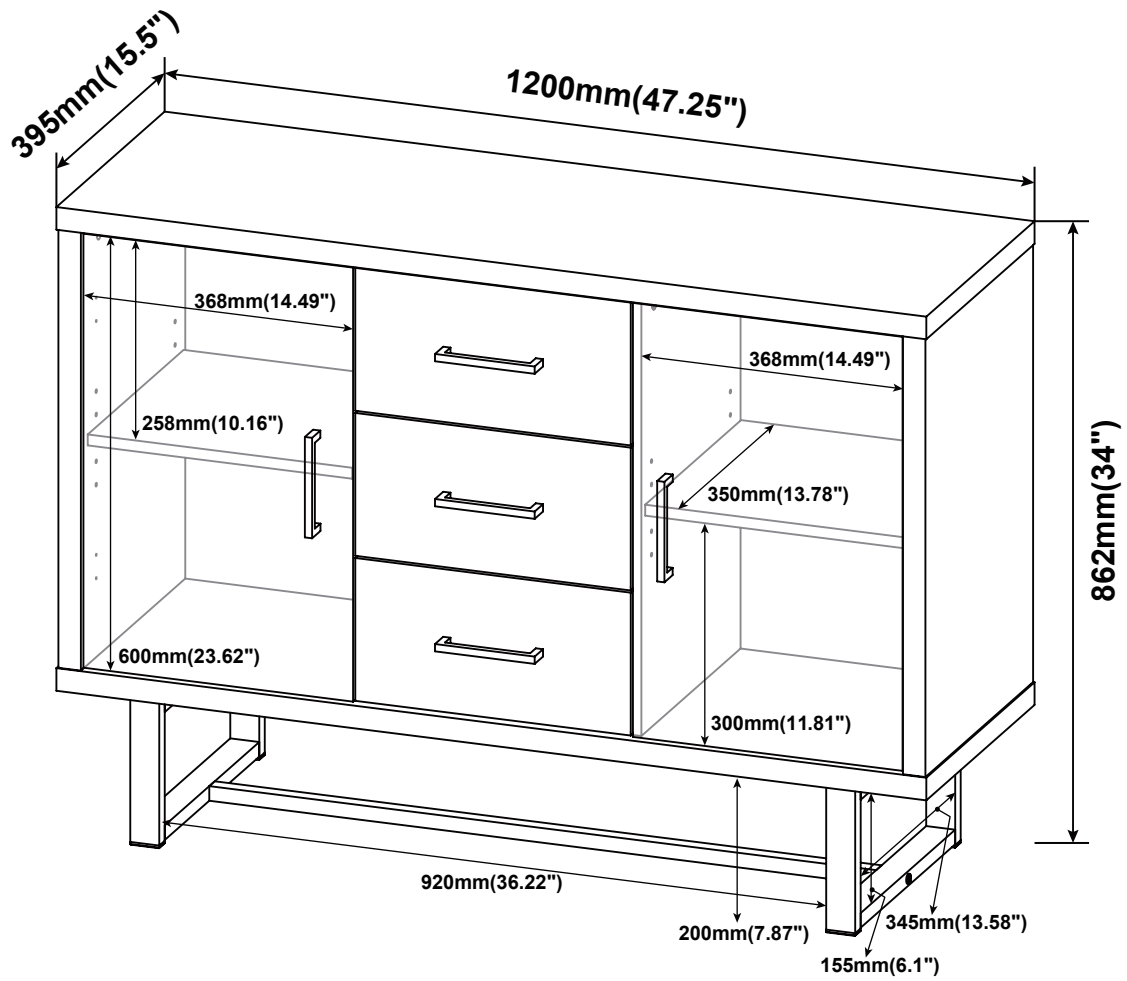


STEP 16

COMPLETE



ITEM:953565



Note : Dimension tolerance $\pm 5\%$

ANTI-TIPPING INSTALLMENT INSTRUCTIONS

FURNITURE TIPPING RESTRAINT

WARNING

Injury may result from tipping furniture.
This restraint may protect against tipping furniture.
Do not allow children to climb on furniture.
This restraint is not a substitute for proper adult supervision.
Failure to detach this restraint before moving the furniture
may result in injury and damage.

1. To attach the anti-tip strap, securely mount one end to the top of the case piece with the 5/8" screw.
2. Position the case piece against the wall in the desired location.
3. Pull the anti-tip strap taut and mark the position of where you will secure the other end on the wall.
4. Drill a 1-1/4" hole in the spot you marked.
5. Tap in plastic wall plug.
6. Fasten anti-tip strap with wall screw provided.

(Please install the anti-tipping kit in the middle of the case piece if only have one set of anti-tipping kit.)

