

ASSEMBLY INSTRUCTIONS
COASTER FINE FURNITURE



Fine Furniture for every stage of life

801404
Writing Desk

ITEM:801404



ASSEMBLY INSTRUCTIONS

ASSEMBLY TIPS:

1. Remove hardware from box and sort by size.
2. Please check to see that all hardware and parts are present prior to start of assembly.
3. Please follow attached instructions in the same sequence as numbered to assure fast & easy assembly.



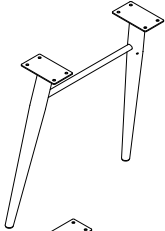
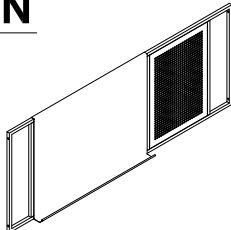
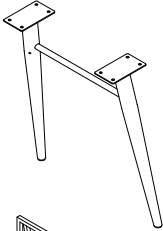
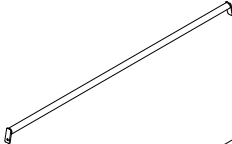
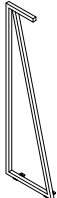
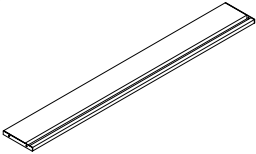

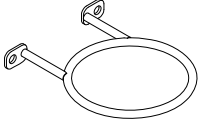
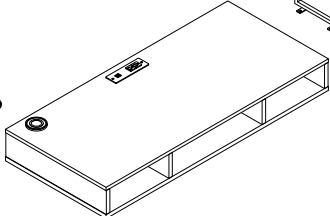
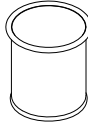
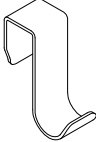
WARNING !

1. Don't attempt to repair or modify parts that are broken or defective. Please contact the store immediately.
2. This product is for home use only and not intended for commercial establishment.








ASSEMBLY TIME 25 MINUTE

PARTS IDENTIFICATION

A LOWER LEFT FRAME		1PC	F BACK FRAME		1PC
B LOWER RIGHT FRAME		1PC	G CROSSBAR		1PC
C UPPER LEFT FRAME		1PC	H TOP FRAME		1PC
D UPPER RIGHT FRAME		1PC	I HOLDER		2PCS
E DESK TOP		1PC	J PEN HOLDER		2PCS
			K HOOK		4PCS

HARDWARE IDENTIFICATION

1 BOLT (1/4"x1/2" - BLK)		22Pcs	4 WASHER (ø16mm - BLK)		20PCS
2 BOLT (1/4"x7/8" - BLK)		4PCS	5 ALLEN KEY (4x22x60mm - WHT)		1PC
3 BOLT (3/16"x1/2" - BLK)		8PCS			

NOTE:

Phillips head screw driver is required in the assembly process; however, manufacturer does not provide this item.




ITEM: 801404

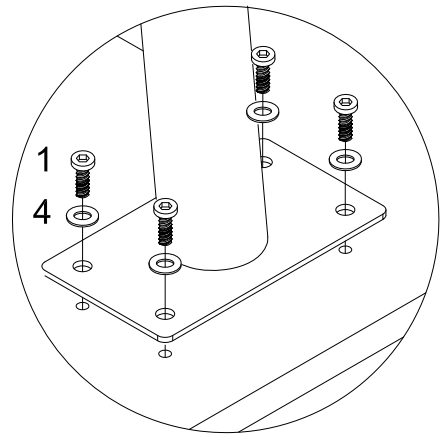
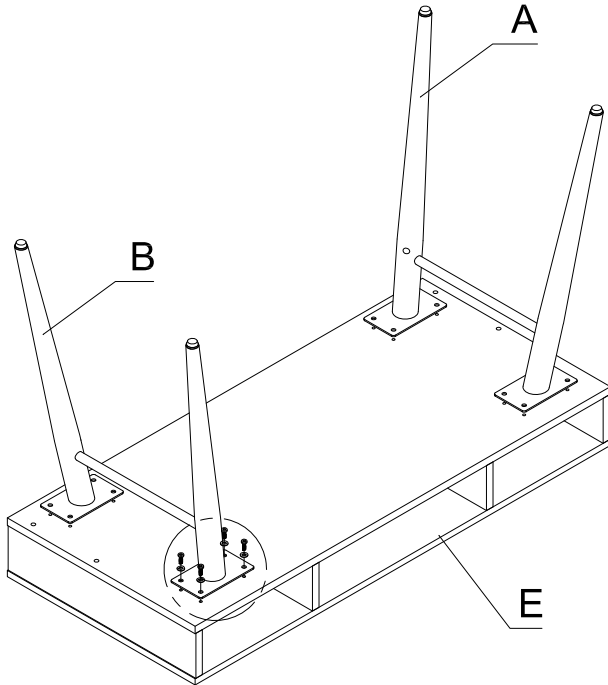
ASSEMBLY INSTRUCTIONS

STEP 1:


ASSEMBLY

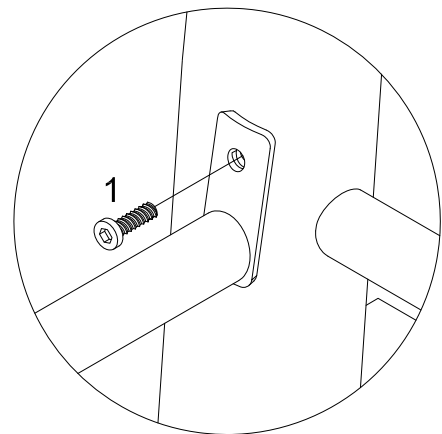
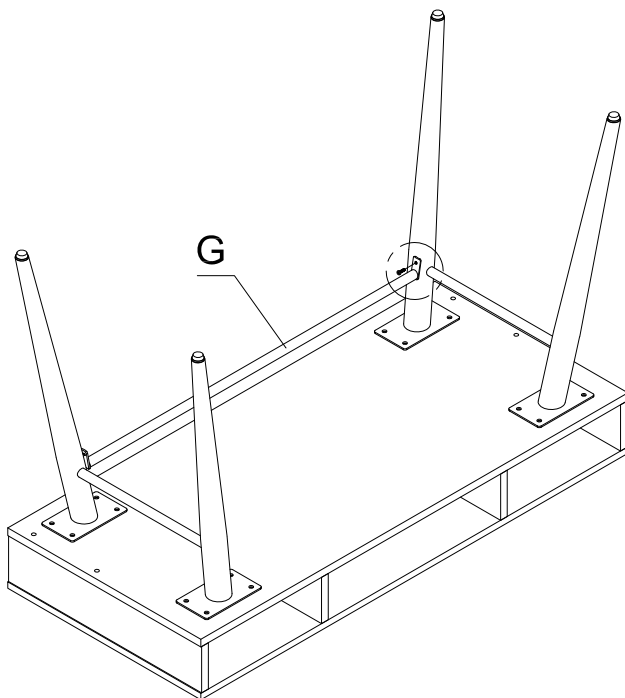
Do not fully tighten all bolts until assembly is complete.
This will help all parts to assemble properly.

1		16PCS
4		16PCS
5		






STEP 2:

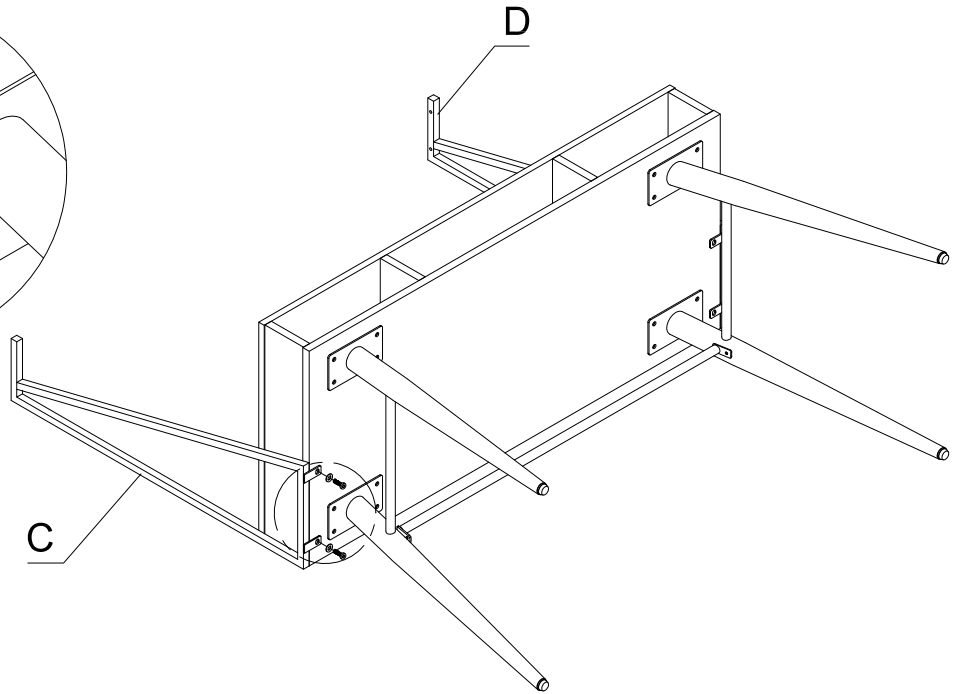
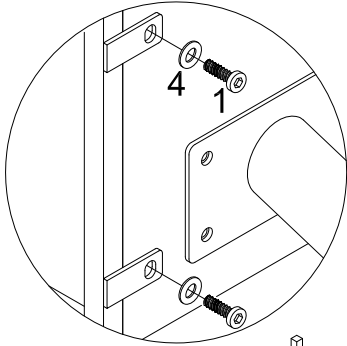
1		2PCS
5		





ITEM: **801404**

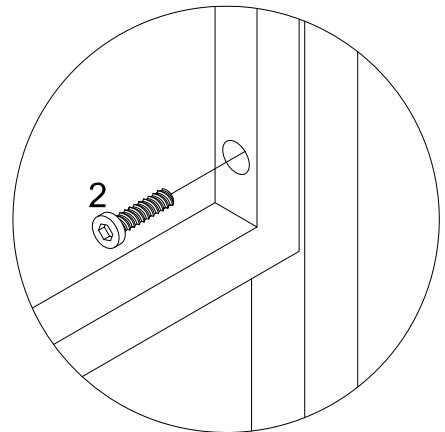
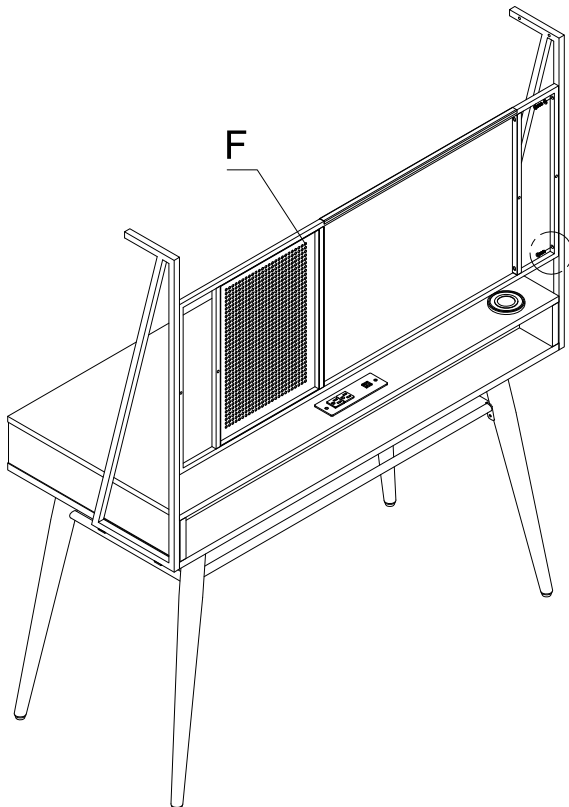
STEP 3:

1		4PCS
4		4PCS
5		



STEP 4:

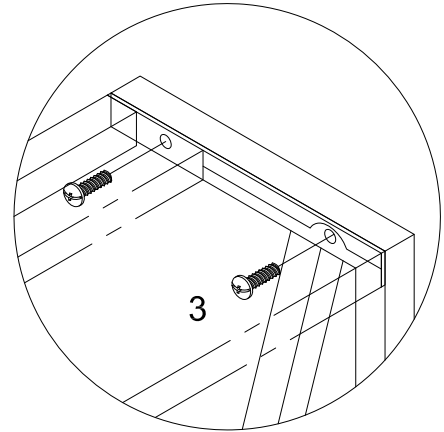
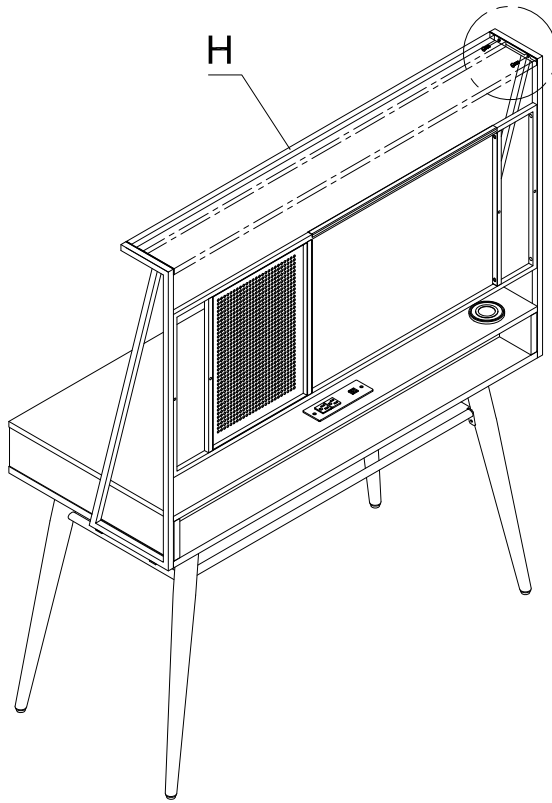
2		4PCS
5		



ITEM: **801404**

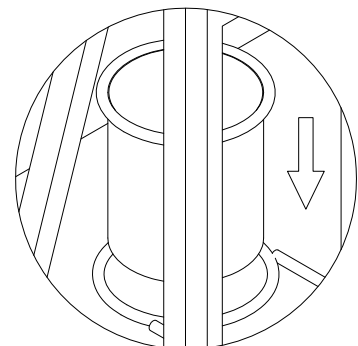
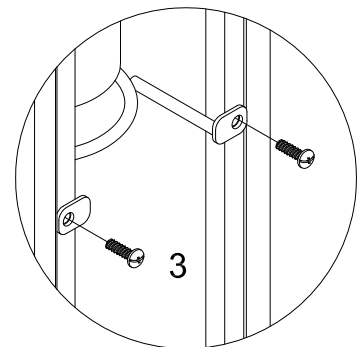
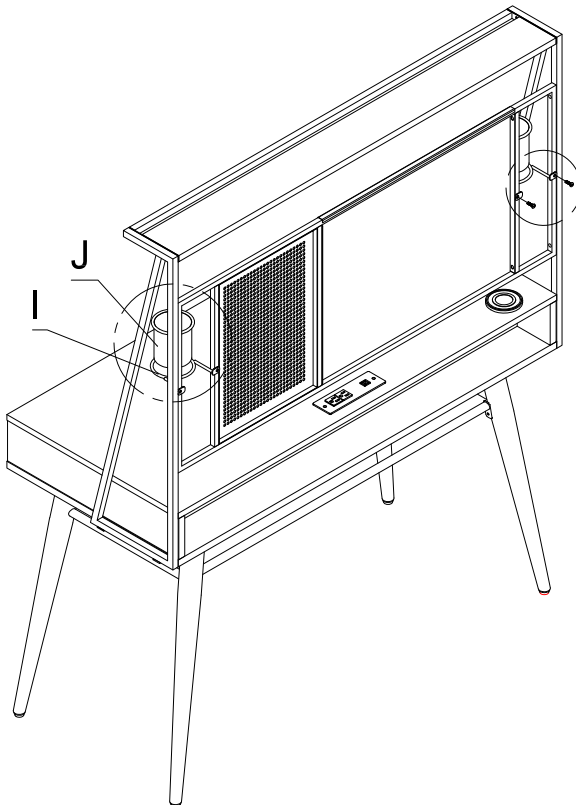
STEP 5:

3  4Pcs



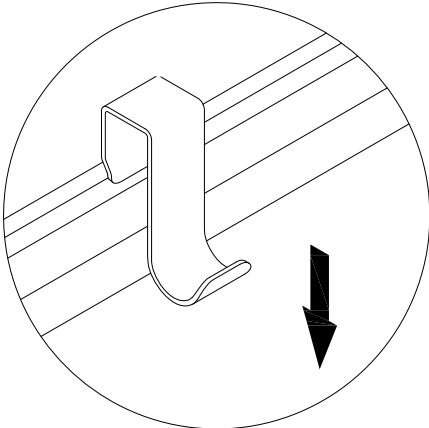
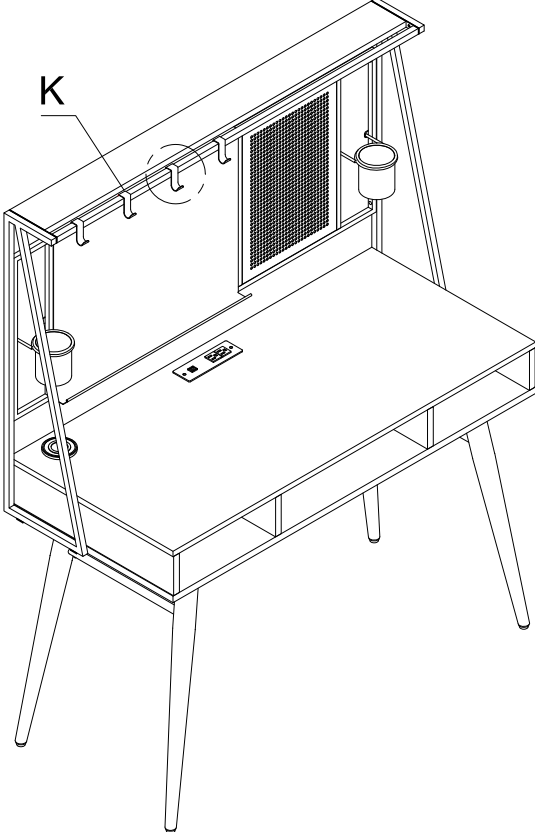
STEP 6:

3  4Pcs

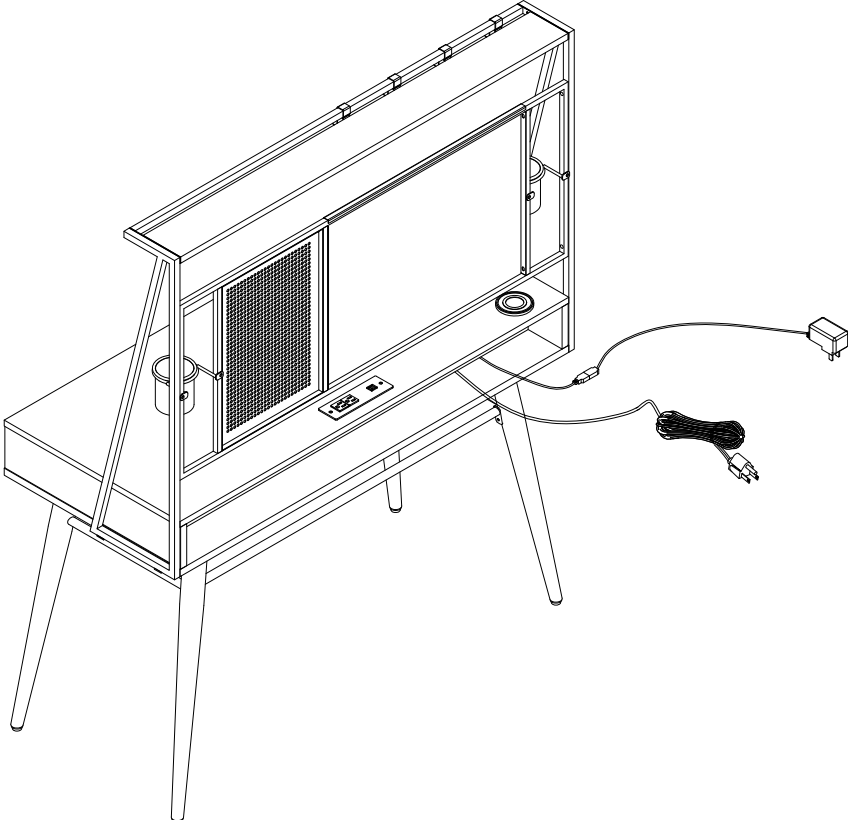


ITEM: **801404**

STEP 7:

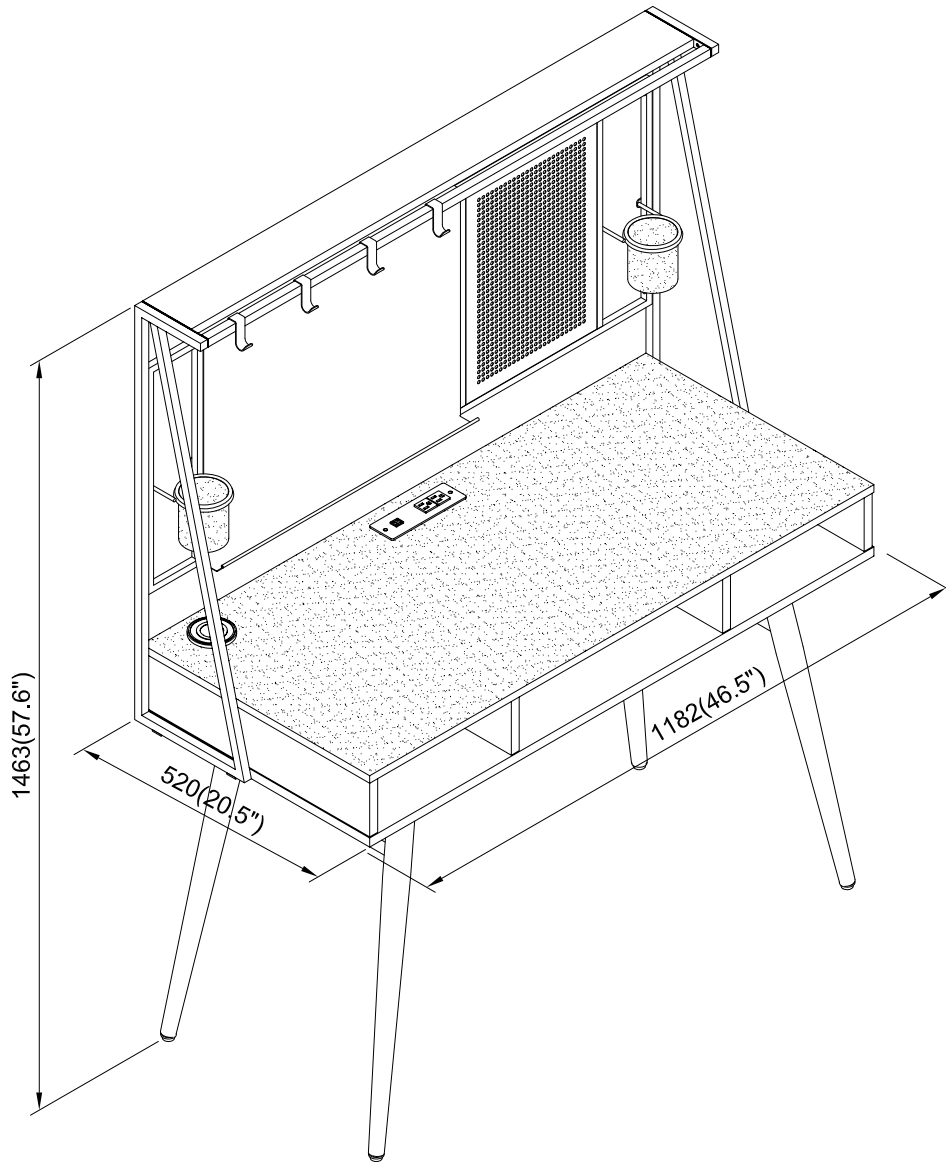


STEP 8:



ITEM: **801404**

COASTER[®]
FINE FURNITURE



Note : Dimension tolerance $\pm 5\%$