

ASSEMBLY INSTRUCTIONS
COASTER FINE FURNITURE



Fine Furniture for every stage of life

722660
2PC OCCASIONAL SET

REVISION 0 : 06/20/2019
REVISION 1 : 08/22/2019
REVISION 2 : 02/08/2022

ITEM:722660



ASSEMBLY INSTRUCTIONS

ASSEMBLY TIPS:

1. Remove hardware from box and sort by size.
2. Please check to see that all hardware and parts are present prior to start of assembly.
3. Please follow attached instructions in the same sequence as numbered to assure fast & easy assembly.

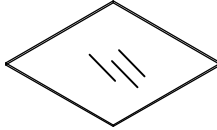
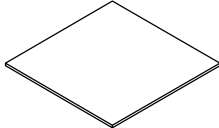
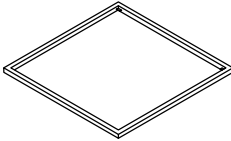
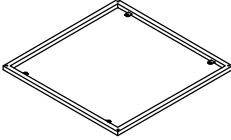
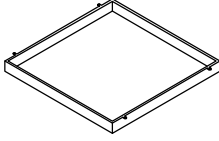




WARNING!

1. Don't attempt to repair or modify parts that are broken or defective. Please contact the store immediately.
2. This product is for home use only and not intended for commercial establishments.




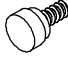


ASSEMBLY TIME 35 MINUTES

PARTS IDENTIFICATION

A	GLASS		2PCS
BN	MIRROR		2PCS
C	TOP FRAME		2PCS
DN	MIDDLE FRAME		2PCS
E	BOTTOM FRAME		2PCS
F	LARGE SUPPORT CROSSBAR		4PCS
G	SMALL SUPPORT CROSSBAR		4PCS

ZN

HARDWARE IDENTIFICATION

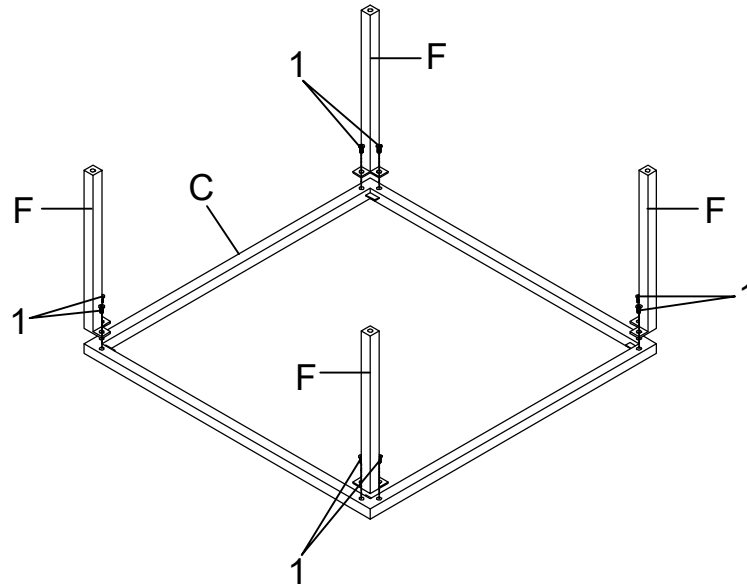
1	SHORT BOLT (1/4" x 12mm GD)		24PCS
2	LONG BOLT (1/4" x 47mm GD)		8PCS
3	LARGE SUCTION CUP (ϕ 12mm)		8PCS
4	LEVELER (3/16" x 12mm BLK)		8PCS
5	SUCTION CUP (ϕ 8 x 2mm)		8PCS
6	ALLEN WRENCH (4mm)		1PC

ITEM: 722660

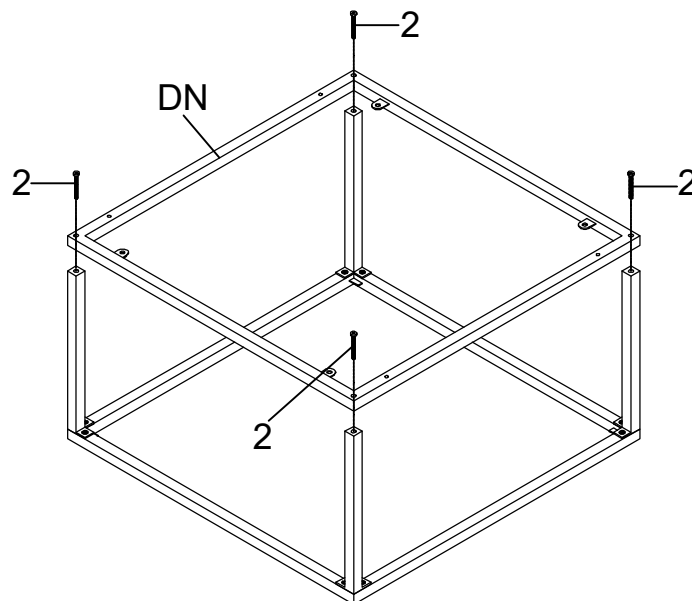
ASSEMBLY INSTRUCTIONS

LARGE TABLE

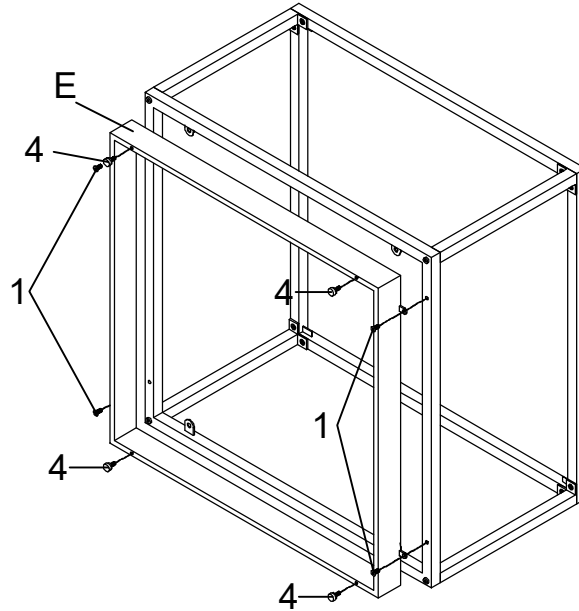
STEP 1 Do not tighten until each step is completed or instructed.



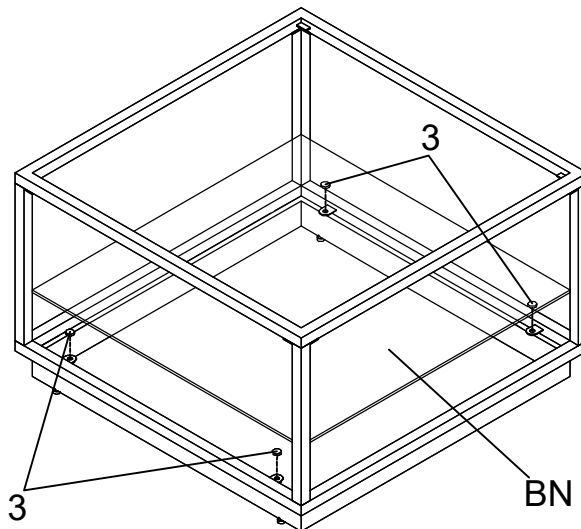
STEP 2



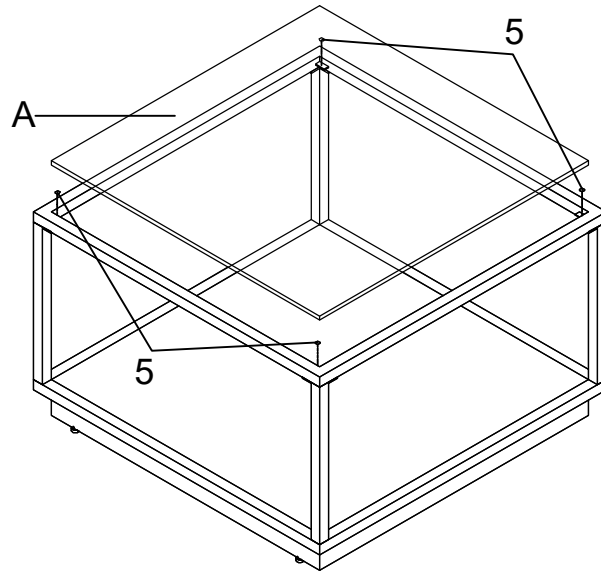
ITEM: 722660
ASSEMBLY INSTRUCTIONS
STEP 3



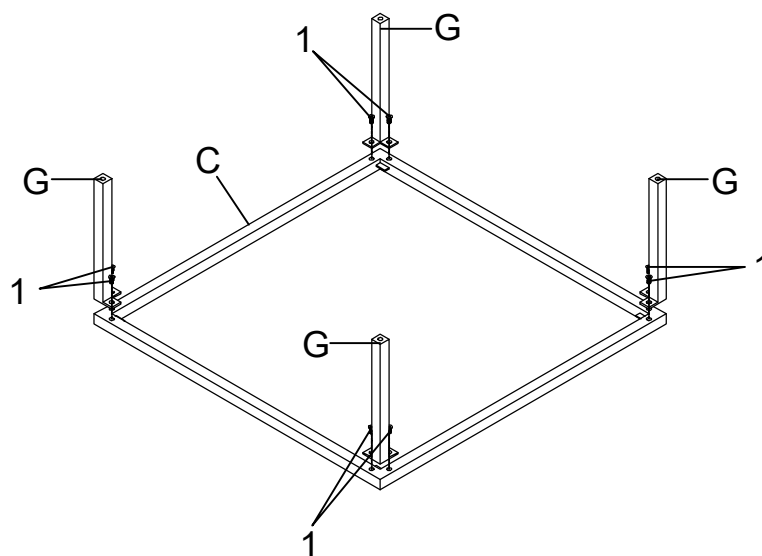
STEP 4



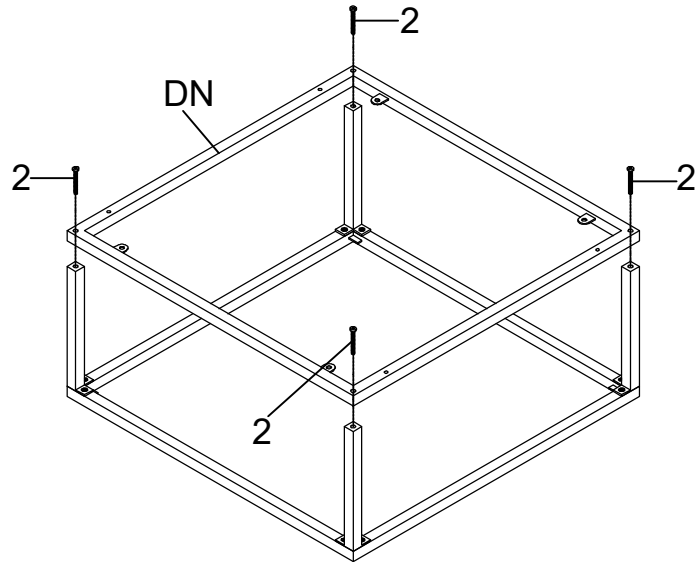
ITEM: 722660
ASSEMBLY INSTRUCTIONS
STEP 5



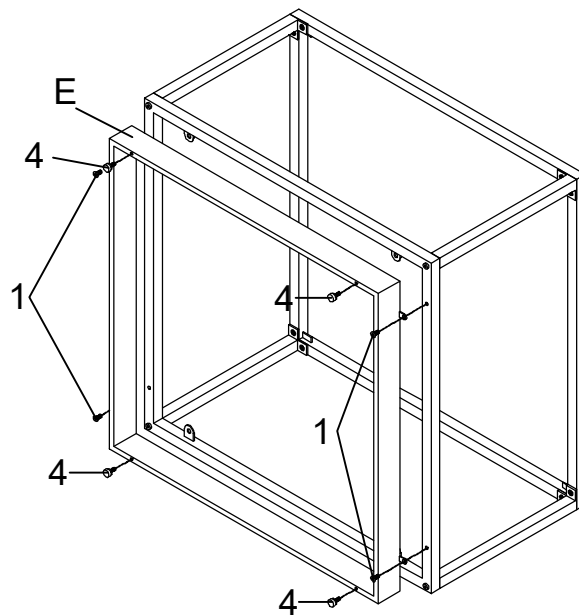
SMALL TABLE
STEP 6



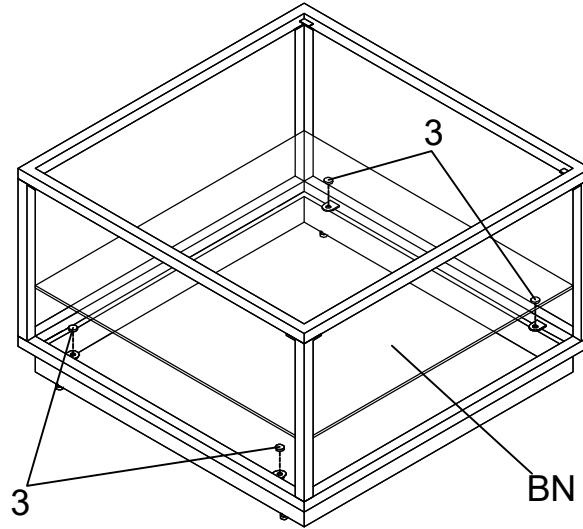
ITEM: 722660
ASSEMBLY INSTRUCTIONS
STEP 7



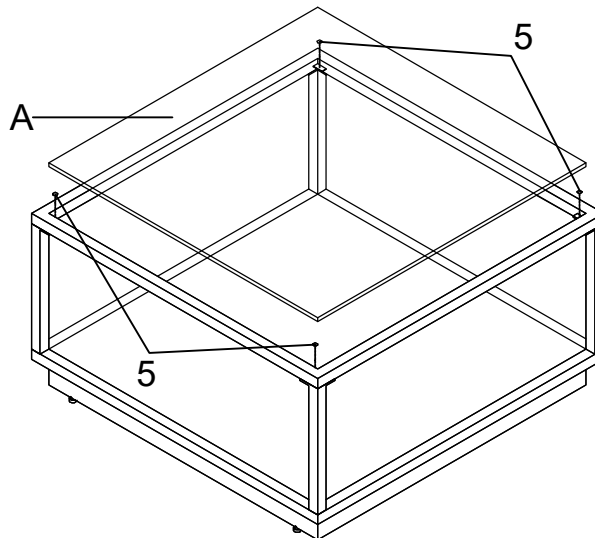
STEP 8



ITEM: 722660
ASSEMBLY INSTRUCTIONS
STEP 9



STEP 10

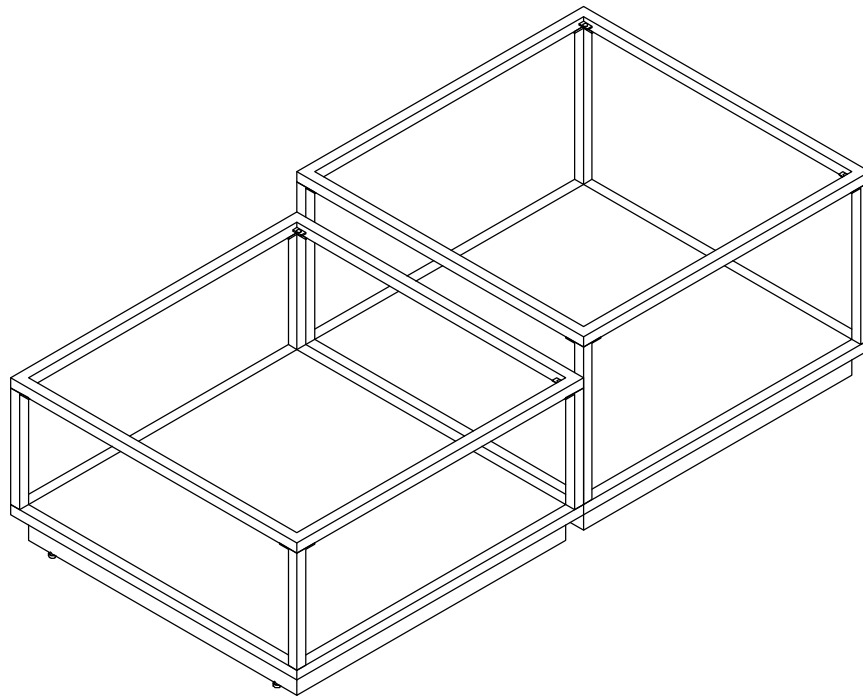


ITEM: 722660

ASSEMBLY INSTRUCTIONS

STEP 11

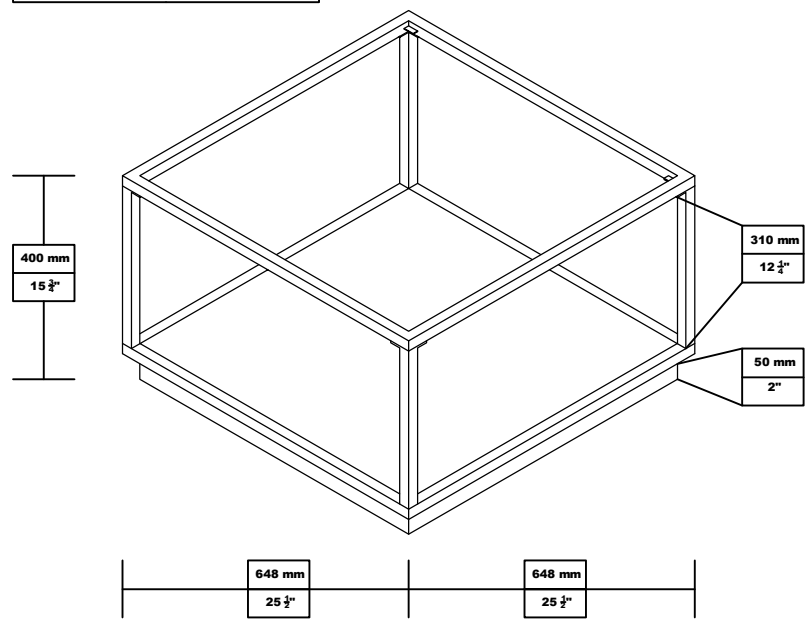
COMPLETE



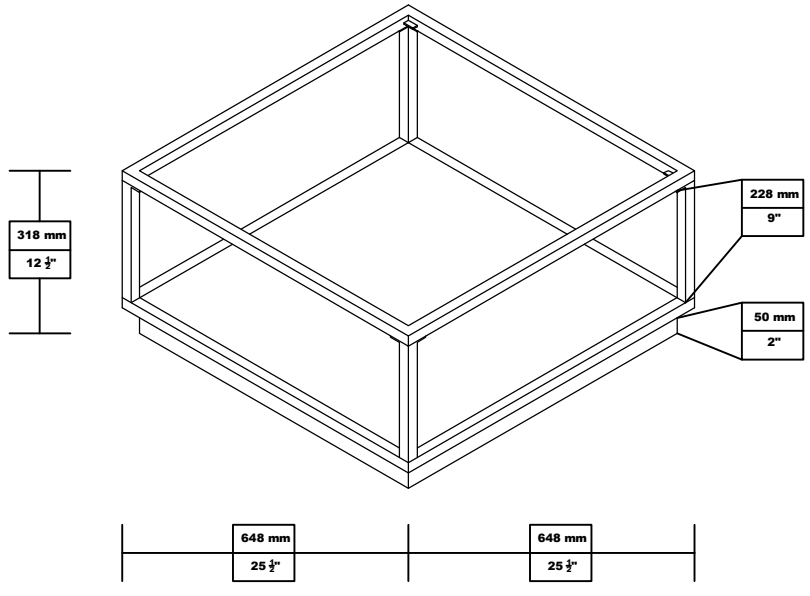
ITEM: 722660 ASSEMBLY INSTRUCTIONS



Product Size : 648 X 648 X 400 H (MM)
Product Size : 25 1/2" X 25 1/2" X 15 3/4"



Product Size : 648 X 648 X 318 H (MM)
Product Size : 25 1/2" X 25 1/2" X 12 1/2"



Note : Dimension tolerance ±5%