



ASSEMBLY INSTRUCTIONS
COASTER FINE FURNITURE



Fine Furniture for every stage of life

111102
DINING CHAIR

ITEM: 111102



ASSEMBLY INSTRUCTIONS

ASSEMBLY TIPS:

1. Remove hardware from box and sort by size.
2. Please check to see that all hardware and parts are present prior to start of assembly.
3. Please follow attached instructions in the same sequence as numbered to assure fast & easy assembly.



WARNING!

1. Don't attempt to repair or modify parts that are broken or defective. Please contact the store immediately.
2. This product is for home use only and not intended for commercial establishments.



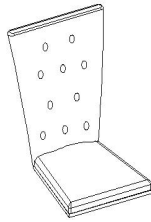
ASSEMBLY TIME

10

PARTS IDENTIFICATION

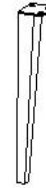
B1 (BOX 1)

A SEAT AND BACK



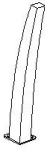
1PCS

D FRONT LEG



2PCS

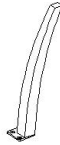
B BACK LEFT LEG



1PC

L

C BACK RIGHT LEG



1PC

R

NOTE:

Phillips head screw driver is required in the assembly process; however, manufacturer does not provide this item.

ITEM:111102



ASSEMBLY INSTRUCTIONS

ASSEMBLY TIPS:

1. Remove hardware from box and sort by size.
2. Please check to see that all hardware and parts are present prior to start of assembly.
3. Please follow attached instructions in the same sequence as numbered to assure fast & easy assembly.



WARNING!

1. Don't attempt to repair or modify parts that are broken or defective. Please contact the store immediately.
2. This product is for home use only and not intended for commercial establishments.

HARDWARE IDENTIFICATION

Z-B2 (BOX 1) - HARDWARE PACK IS LOCATED IN 111103

1 ALLEN WRENCH		1PC
2 SHORT BOLT (M8*20mm)		12PC
3 SPRING WASHER		12PCS
4 FLAT WASHER D20*2		12PCS

Hardware pack is located in 111102

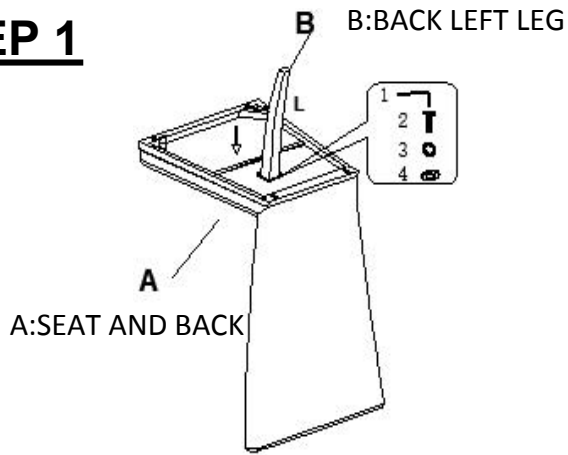
NOTE:

Phillips head screw driver is required in the assembly process; however, manufacturer does not provide this item.

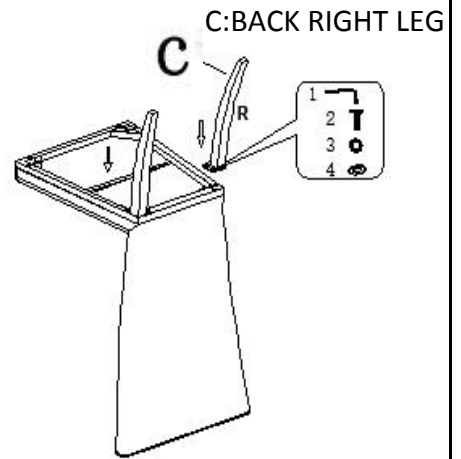
ITEM:111102

ASSEMBLY INSTRUCTIONS

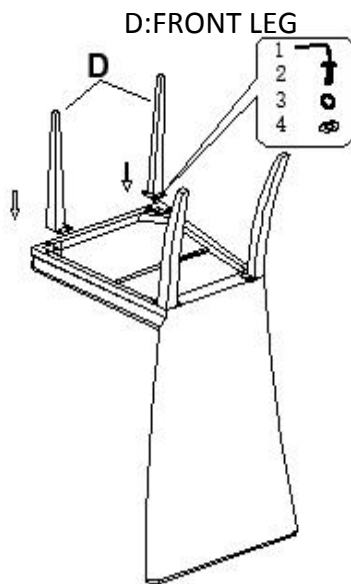
STEP 1



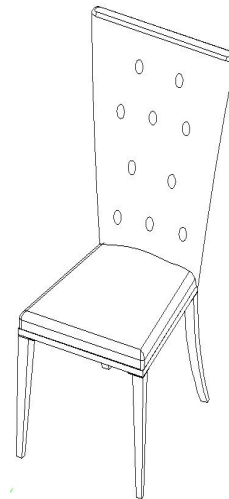
STEP 2



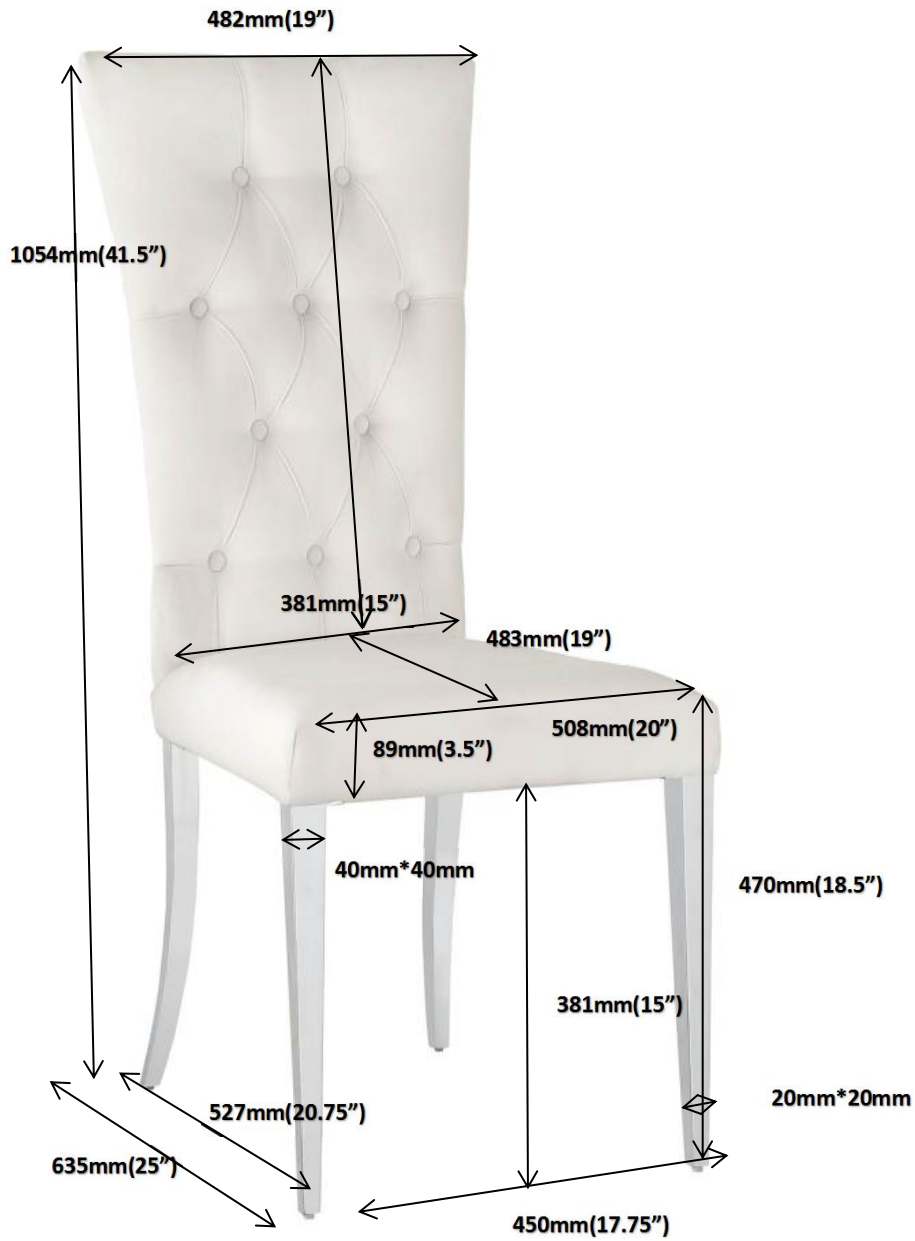
STEP 3



STEP 4



ITEM:111102



Note : Dimension tolerance $\pm 5\%$