

ASSEMBLY INSTRUCTIONS
COASTER FINE FURNITURE



Fine Furniture for every stage of life

183526
BAR TABLE

ITEM:183526



ASSEMBLY INSTRUCTIONS

ASSEMBLY TIPS:

1. Remove hardware from box and sort by size.
2. Please check to see that all hardware and parts are present prior to start of assembly.
3. Please follow attached instructions in the same sequence as numbered to assure fast & easy assembly.



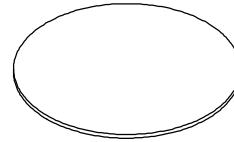
WARNING!

1. Don't attempt to repair or modify parts that are broken or defective. Please contact the store immediately.
2. This product is for home use only and not intended for commercial establishments.

ASSEMBLY TIME 30 MINUTES

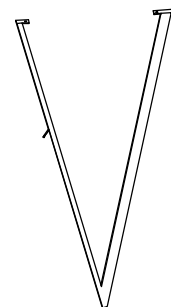
PARTS IDENTIFICATION

A TOP



1PC

B LEG



3PCS

Z

HARDWARE IDENTIFICATION

1

BOLT
(1/4" x 12mm SR)



12PCS

2

CAP
(20 x 20mm BLK)



3PCS

3

ALLEN WRENCH
(4mm)



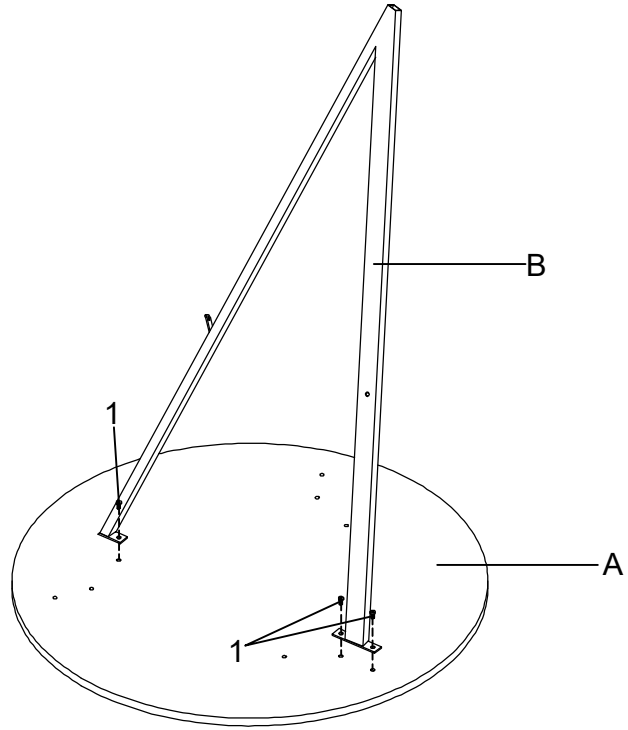
1PC

ITEM:183526

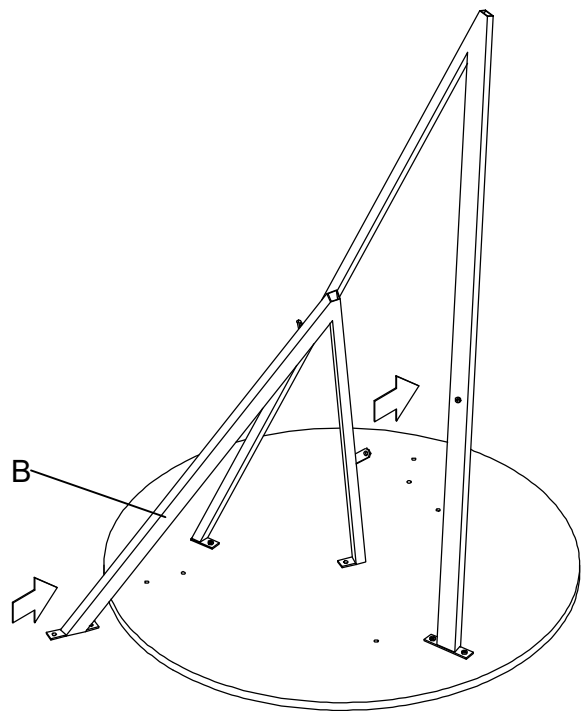


ASSEMBLY INSTRUCTIONS

STEP 1 Do not tighten until each step is completed or instructed.



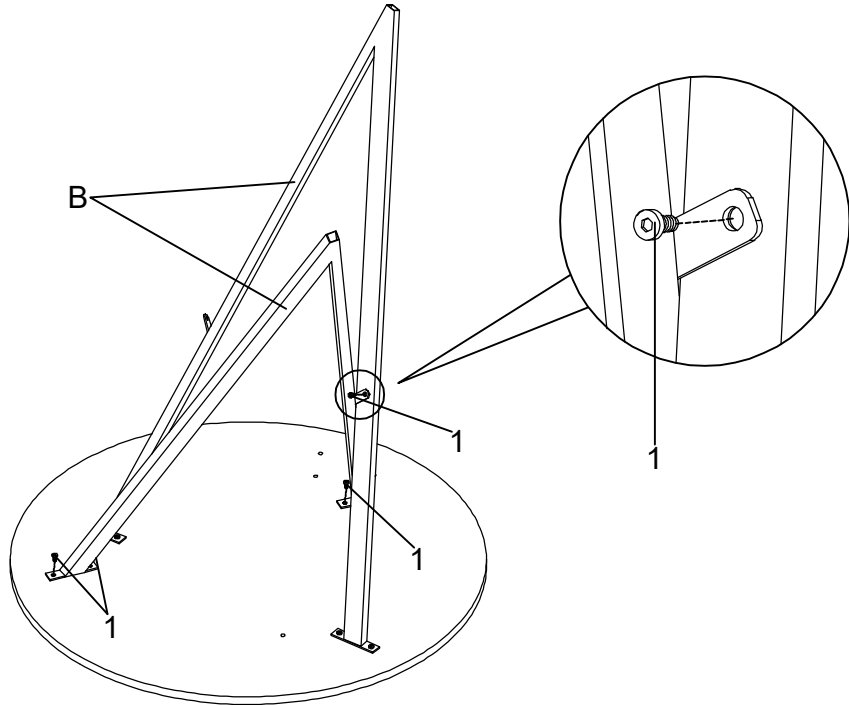
STEP 2



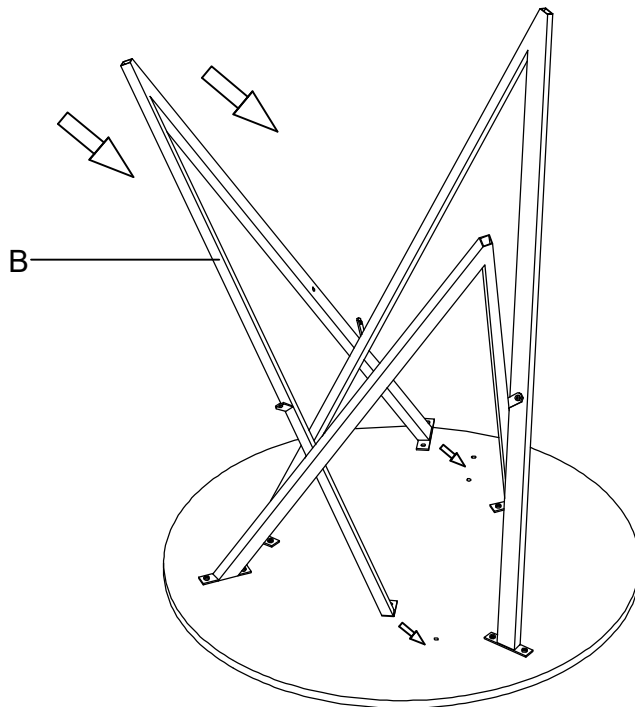
ITEM:183526

ASSEMBLY INSTRUCTIONS

STEP 3



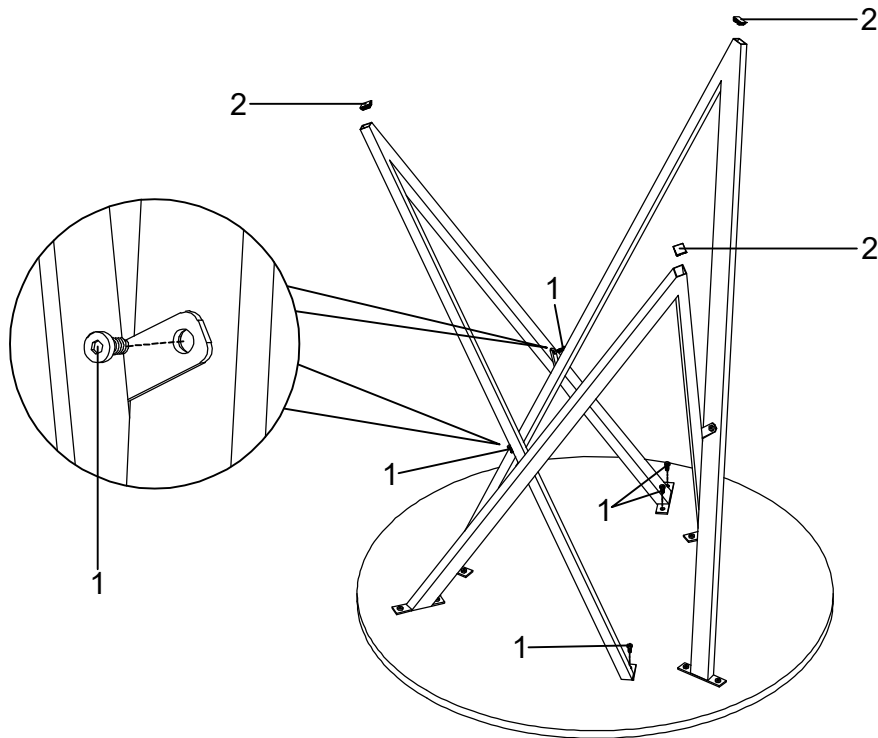
STEP 4



ITEM:183526

ASSEMBLY INSTRUCTIONS

STEP 5



STEP 6 COMPLETE



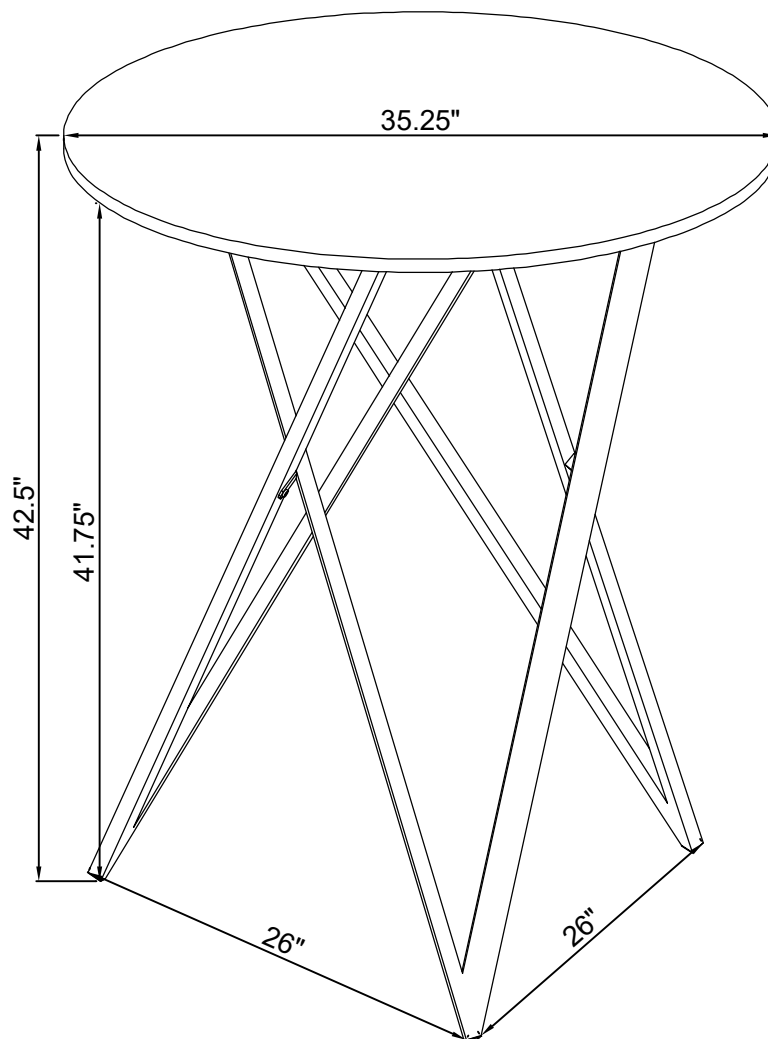
ITEM:183526

ASSEMBLY INSTRUCTIONS



Product Size : 895 DIA X 1080 H (MM)

Product Size : 35.25" DIA X 42.5"



Note : Dimension tolerance $\pm 5\%$