



*ASSEMBLY INSTRUCTIONS*  
*COASTER FINE FURNITURE*



*Fine Furniture for every stage of life*

**708539**  
**CONSOLE TABLE**

# ITEM: 708539 (B1-B3)



## ASSEMBLY INSTRUCTIONS

### ASSEMBLY TIPS:

1. Remove hardware from box and sort by size.
2. Please check to see that all hardware and parts are present prior to start of assembly.
3. Please follow attached instructions in the same sequence as numbered to assure fast & easy assembly.



### WARNING!

1. Don't attempt to repair or modify parts that are broken or defective. Please contact the store immediately.
2. This product is for home use only and not intended for commercial establishments.



ASSEMBLY TIME

10 MINUTES

## PARTS IDENTIFICATION

### B1 ( BOX 1)

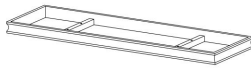
A TOP



1PCS

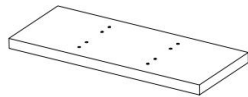
### B2 ( BOX 2)

B TOP FRAME



1PCS

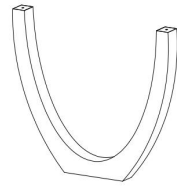
C BASE



1PCS

### B3 ( BOX 3)

D LEG FRAME



2PCS

### NOTE:

Phillips head screw driver is required in the assembly process; however, manufacturer does not provide this item.

# ITEM:708539 (B1-B3)



## ASSEMBLY INSTRUCTIONS

### ASSEMBLY TIPS:

1. Remove hardware from box and sort by size.
2. Please check to see that all hardware and parts are present prior to start of assembly.
3. Please follow attached instructions in the same sequence as numbered to assure fast & easy assembly.





### WARNING!

1. Don't attempt to repair or modify parts that are broken or defective. Please contact the store immediately.
2. This product is for home use only and not intended for commercial establishments.

## HARDWARE IDENTIFICATION

### Z-B3 (BOX 3) - HARDWARE PACK IS LOCATED IN 708539 (B3)

1 ALLEN WRENCH		1PCS
2 SHORT BOLT (M8*50mm)		12PCS
3 FLAT WASHER D20*2		12PCS
4 FRAME REST		6PCS

Hardware pack is located in 708539 B3

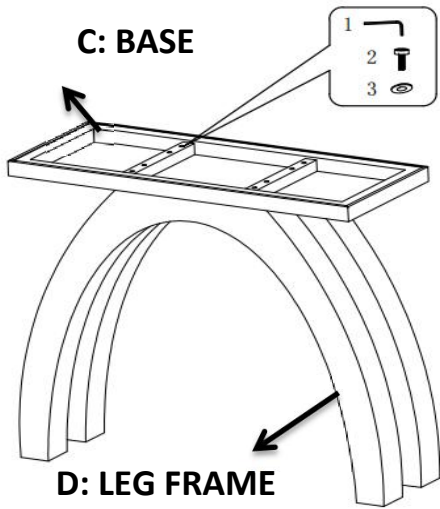
### NOTE:

Phillips head screw driver is required in the assembly process; however, manufacturer does not provide this item.

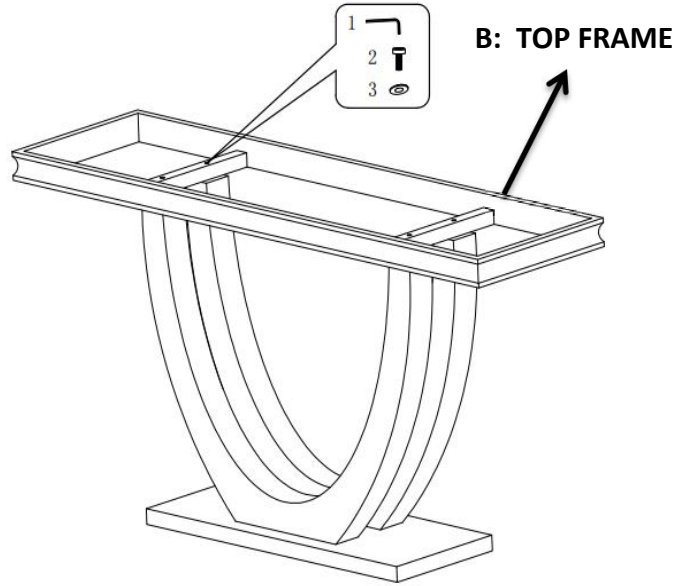
ITEM:708539 (B1-B3)

ASSEMBLY INSTRUCTIONS

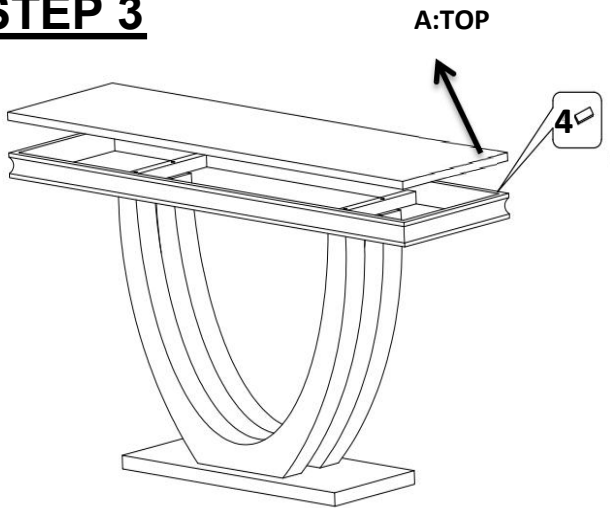
**STEP 1**



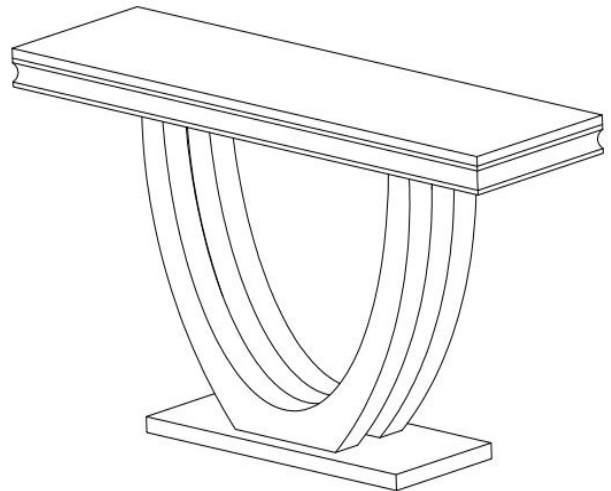
**STEP 2**



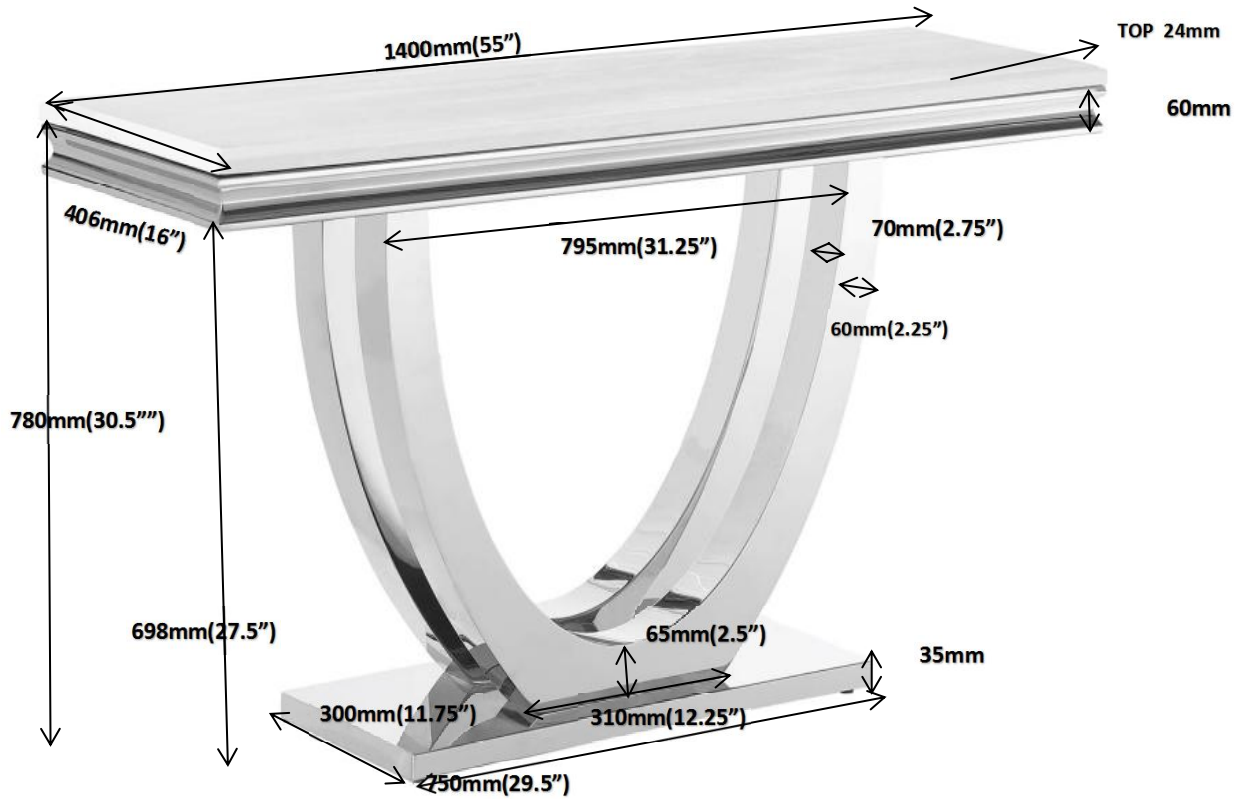
**STEP 3**



**STEP 4**



**ITEM:708539 (B1-B3)**



**Note : Dimension tolerance  $\pm 5\%$**