

ASSEMBLY INSTRUCTIONS
COASTER FINE FURNITURE



Fine Furniture for every stage of life

800107
COMPUTER DESK

ITEM:800107



ASSEMBLY INSTRUCTIONS

ASSEMBLY TIPS:

1. Remove hardware from box and sort by size.
2. Please check to see that all hardware and parts are present prior to start of assembly.
3. Please follow attached instructions in the same sequence as numbered to assure fast & easy assembly.



WARNING!

1. Don't attempt to repair or modify parts that are broken or defective. Please contact the store immediately.
2. This product is for home use only and not intended for commercial establishments.



ASSEMBLY TIME

70 MINUTES

PARTS IDENTIFICATION

A	LEFT SIDE PANEL		1 PC	K	KEYBOARD SHELF		1 PC
B	LEFT DIVIDER PANEL		1 PC	L	ADJUSTABLE SHELF		1 PC
C	RIGHT DIVIDER PANEL		1 PC	M	DOOR		1 PC
D	RIGHT SIDE PANEL		1 PC	N	LARGE TOP PANEL		1 PC
E	LEFT BOTTOM PANEL		1 PC	O	LARGE DRAWER FRONT PANEL		1 PC
F	RIGHT BOTTOM PANEL		1 PC	P	LARGE DRAWER BACK PANEL		1 PC
G	SMALL LEFT TOP PANEL		1 PC	Q	LARGE LEFT DRAWER SIDE PANEL		1 PC
H	SMALL RIGHT TOP PANEL		1 PC	R	LARGE RIGHT DRAWER SIDE PANEL		1 PC
I	SMALL BACK PANEL		2PCS	S	SMALL DRAWER FRONT PANEL		1 PC
J	LARGE BACK PANEL		1 PC	T	SMALL DRAWER BACK PANEL		1 PC

NOTE:

Phillips head screw driver is required in the assembly process; however, manufacturer does not provide this item.

ITEM:800107

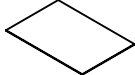
U SMALL LEFT
DRAWER SIDE
PANEL 1 PC



V SMALL RIGHT
DRAWER SIDE
PANEL 1 PC

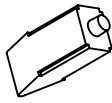

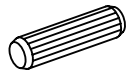
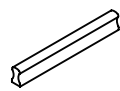
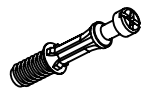






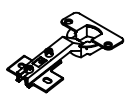
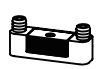


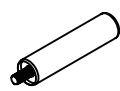



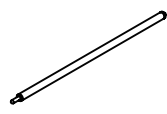
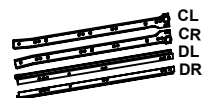
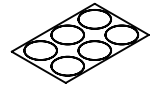


W DRAWER
BOTTOM PANEL 2 PCS



Z

HARDWARE IDENTIFICATION

NO	DESCRIPTION	FIGURE	Q'TY	NO	DESCRIPTION	FIGURE	Q'TY
1	GLUE 40g		1 PC	12	SCREW FOR EURO SLIDE (Ø 3x12mm SR)		28 PCS
2	WOODEN DOWEL Ø 8x30mm		38 PCS	13	HANDLE L=120mm		3 PCS
3	CAM BOLT (Ø 7x35.5mm SR)		20 PCS	14	HANDLE BOLT (Ø 4x28mm SR)		6 PCS
4	CAM LOCK (Ø15x12mm SR)		20 PCS	15	FOOT 50x50x18mm		8 PCS
5	BOLT (Ø 9.5x55mm) FOR BOTTOM PANEL		12 PCS	16	LONG SCREW (Ø 5x23mm BLK)		16 PCS
6	SCREW FOR DRAWER (Ø4.3x35mm SR)		8 PCS	17	HINGE (Ø 26 SR)		2 PCS
7	DOOR CATCH		1 PC	18	SCREW FOR HINGE (Ø 4x15mm SR)		8 PCS
8	PIN (Ø 4.9x8mm SR)		4 PCS	19	IRON BAR L=80mm		4 PCS
9	RAIL (L = 350mm SR)		1 SET	20	BOLT FOR IRON BAR (M6x42mm SR)		4 PCS
10	SCREW FOR RAIL (Ø 3.5x12mm SR)		10 PCS	21	IRON BAR Ø 9.5x311mm SR		2 PCS
11	EURO SLIDE (L = 450mm WHT)		2 SET	22	STICKER Ø 20mm		4 PCS

Z9,Z10,Z11,Z13,Z14,Z15,Z17,Z19,Z21 not included in blister packaging.

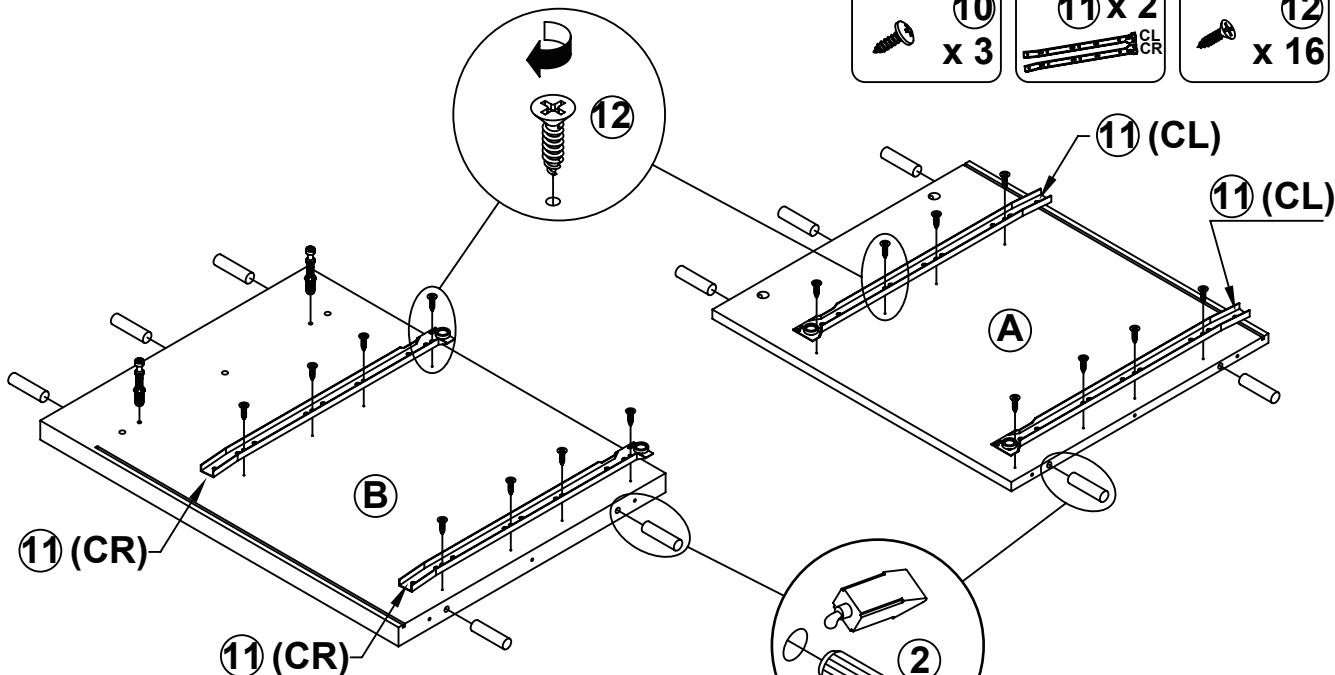
NOTE:

Phillips head screw driver is required in the assembly process; however, manufacturer does not provide this item.

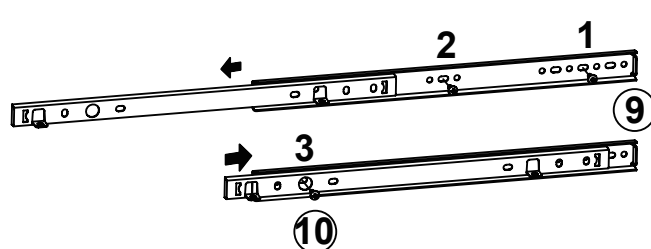
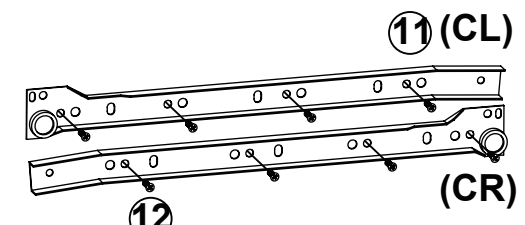
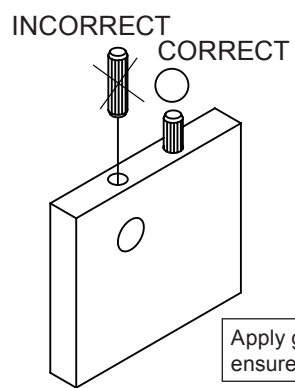
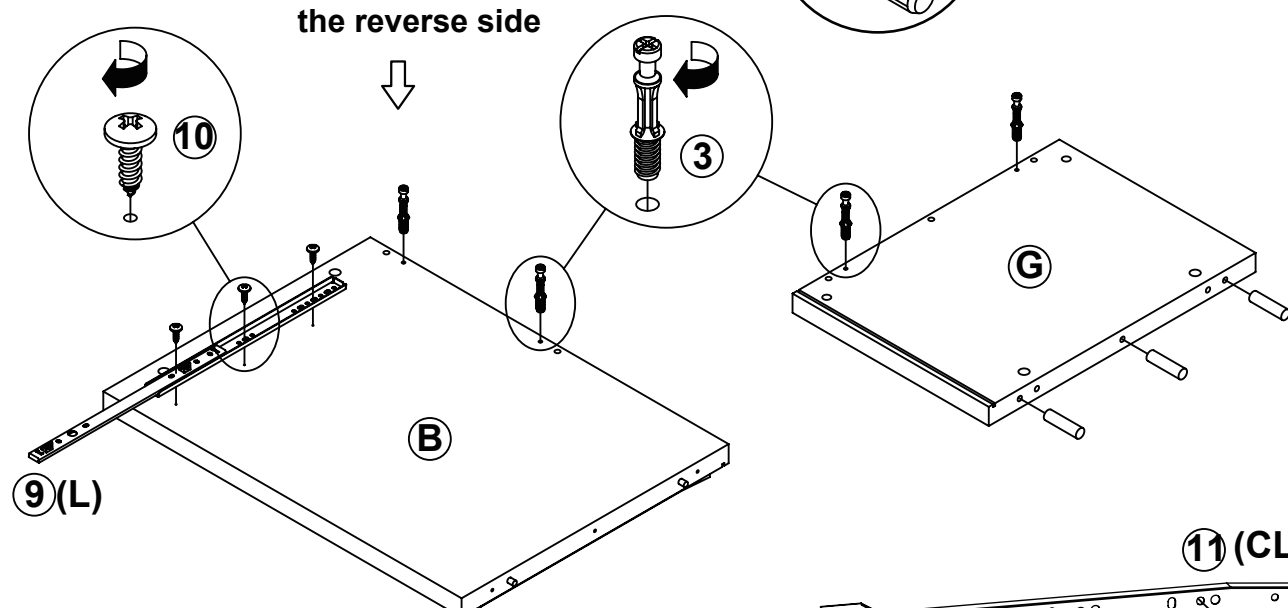
ITEM: 800107

STEP 1

- ② x 13
- ③ x 6
- ⑨ x 1 (L)
- ⑩ x 3
- ⑪ x 2 (CL, CR)
- ⑫ x 16



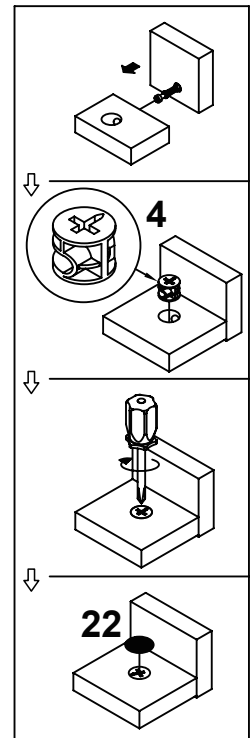
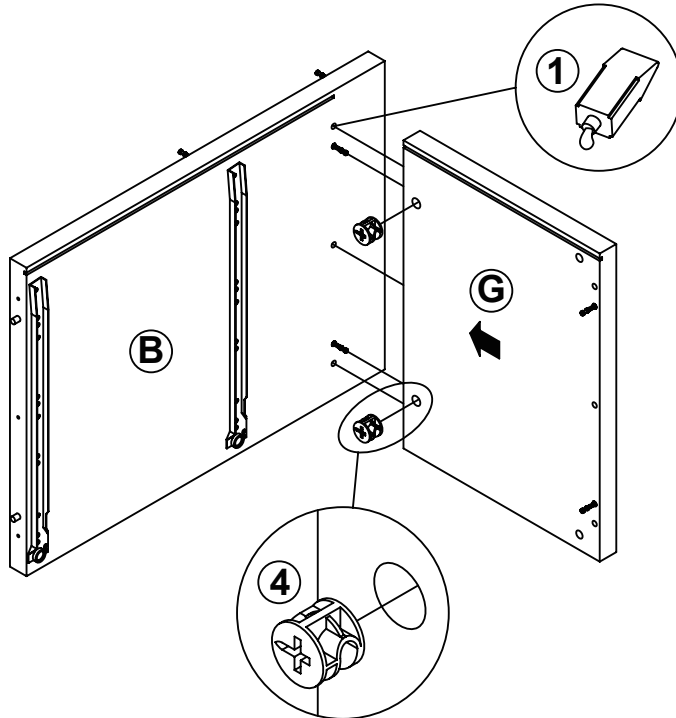
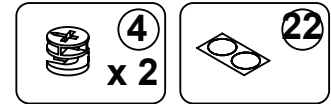
the reverse side



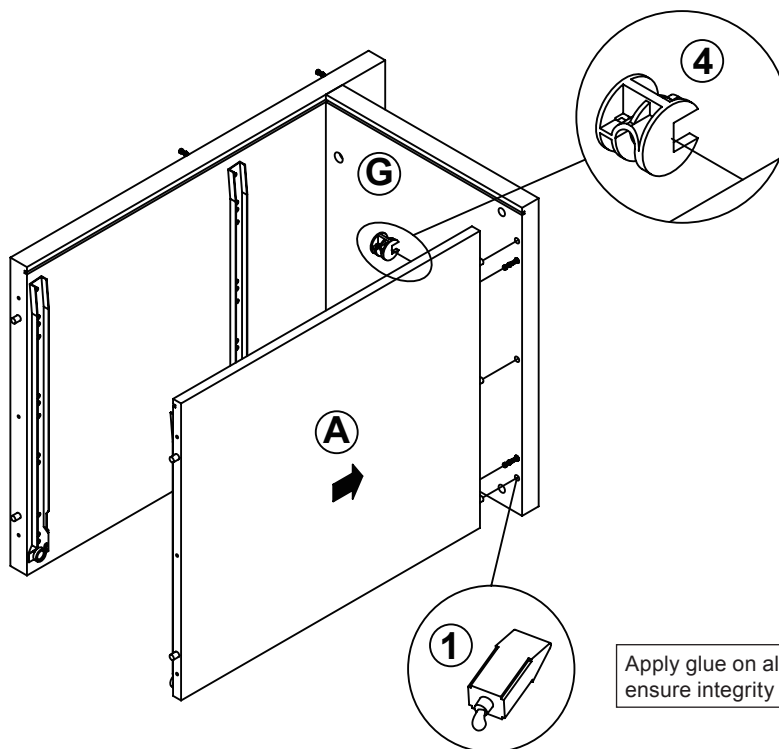
ITEM: 800107

STEP 2

Apply glue on all wooden dowels to ensure integrity of the structure.



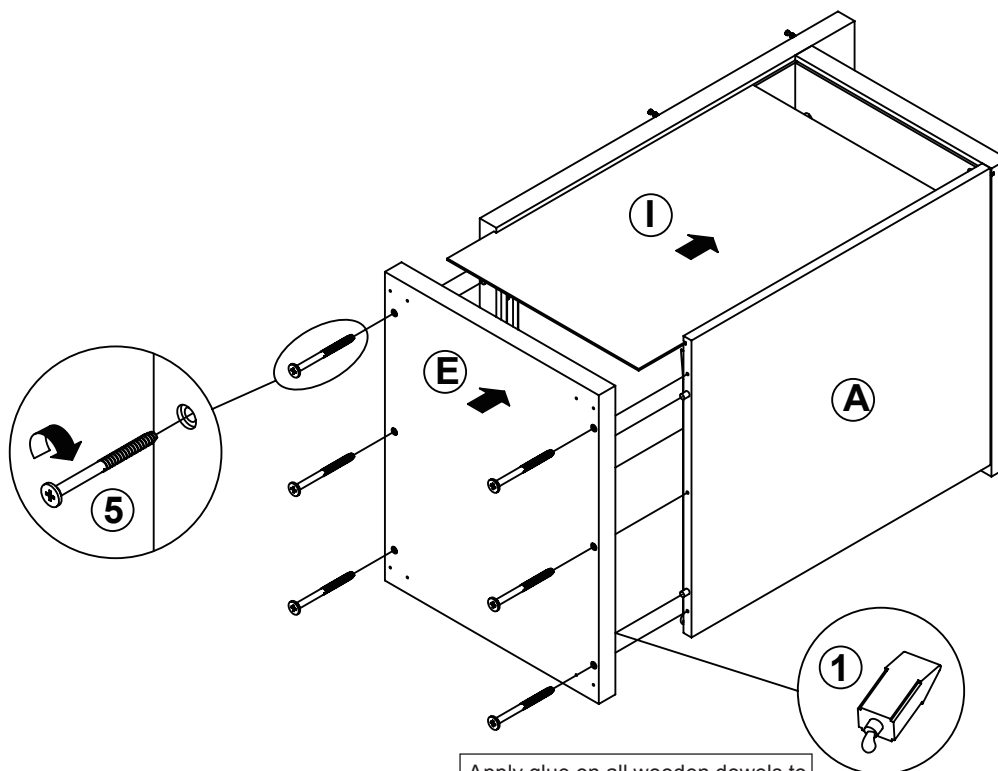
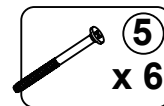
STEP 3



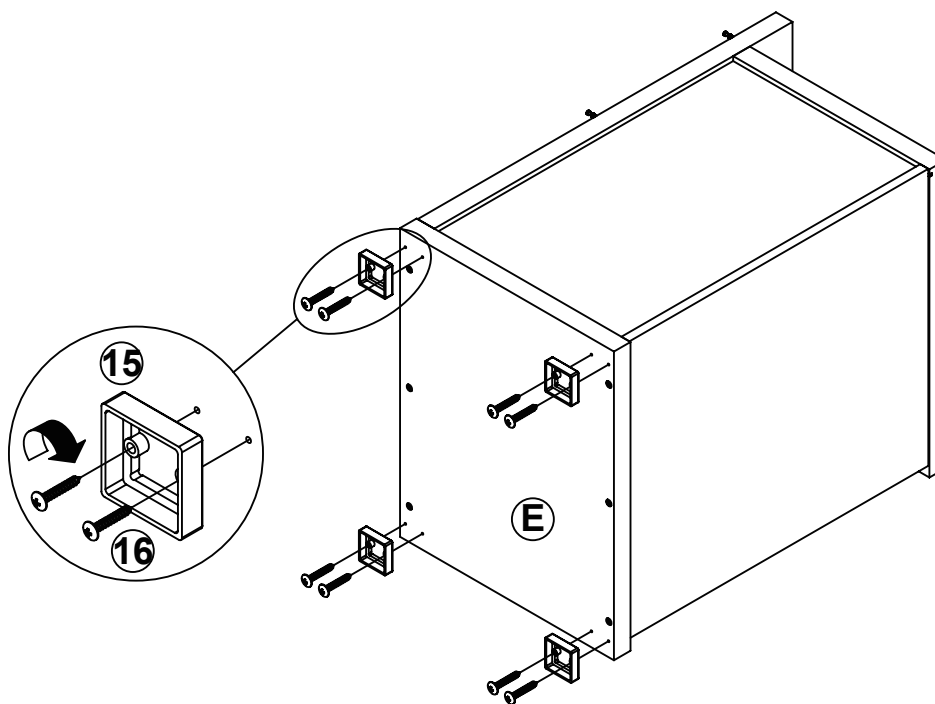
Apply glue on all wooden dowels to ensure integrity of the structure.

ITEM: 800107

STEP 4



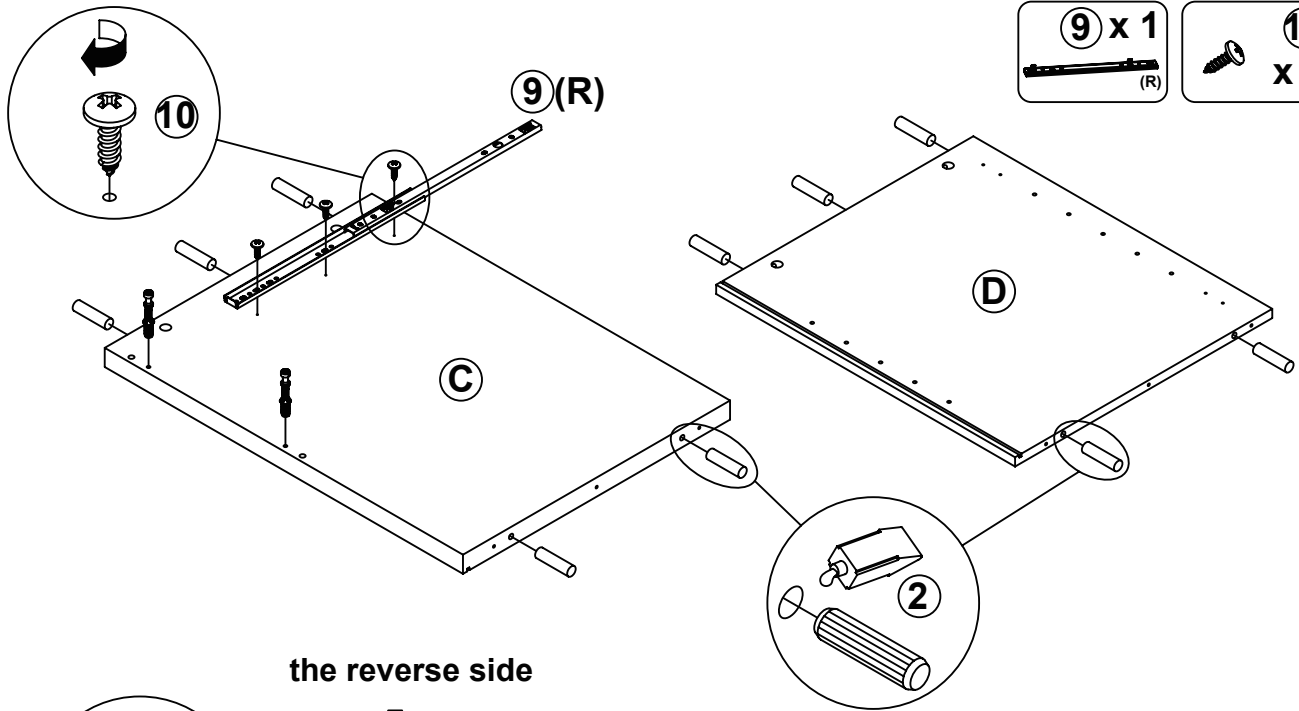
STEP 5



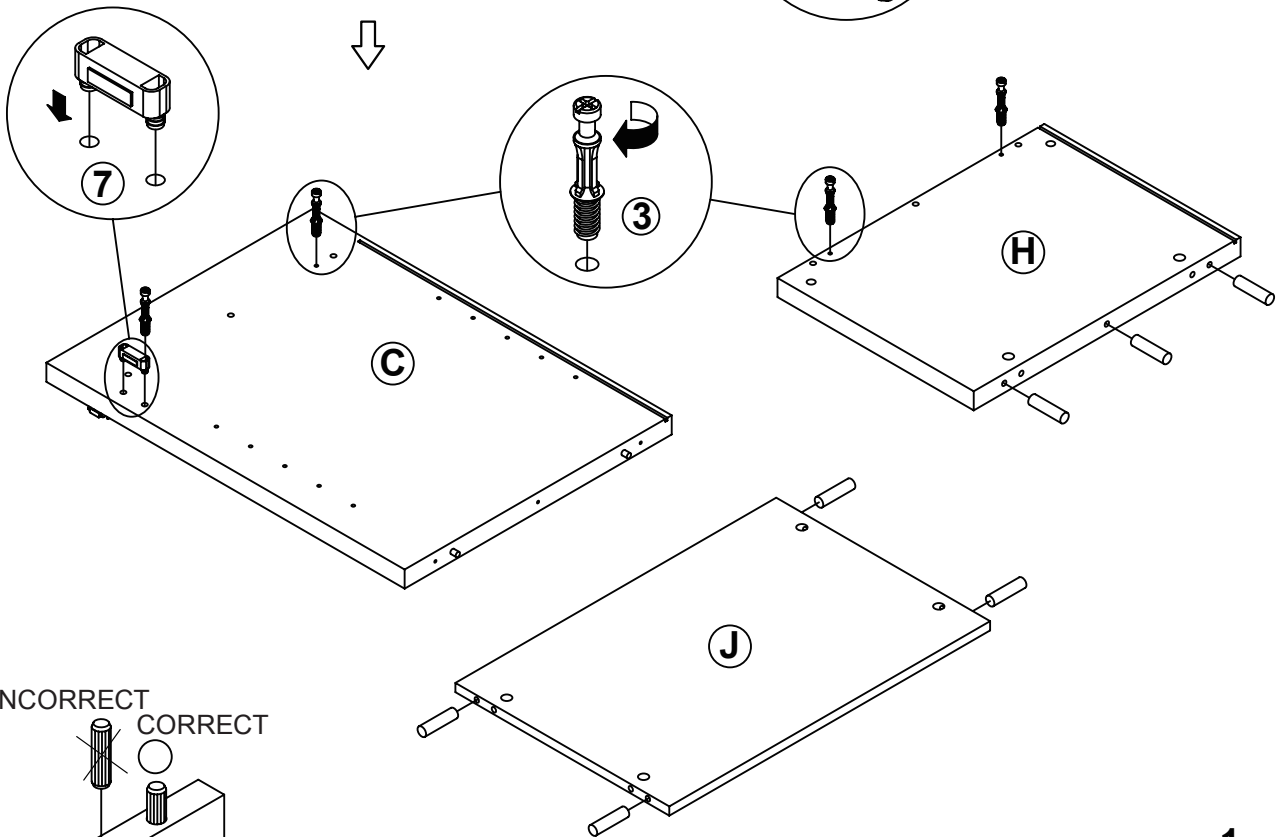
ITEM: 800107

STEP 6

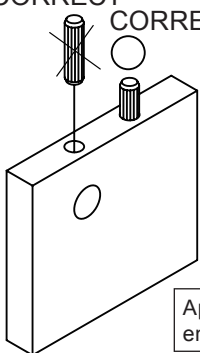
- 2 x 17
- 3 x 6
- 7 x 1
- 9 x 1 (R)
- 10 x 3



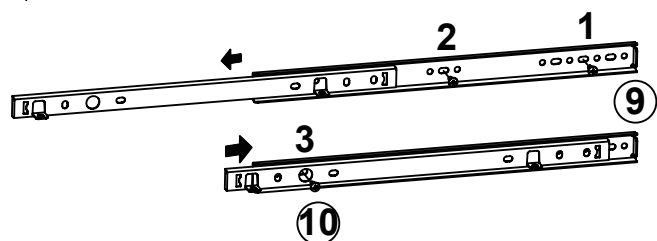
the reverse side



INCORRECT
CORRECT



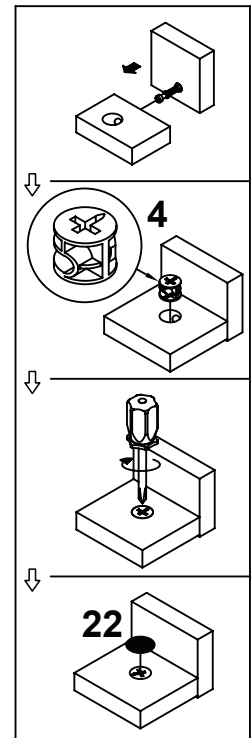
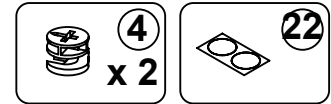
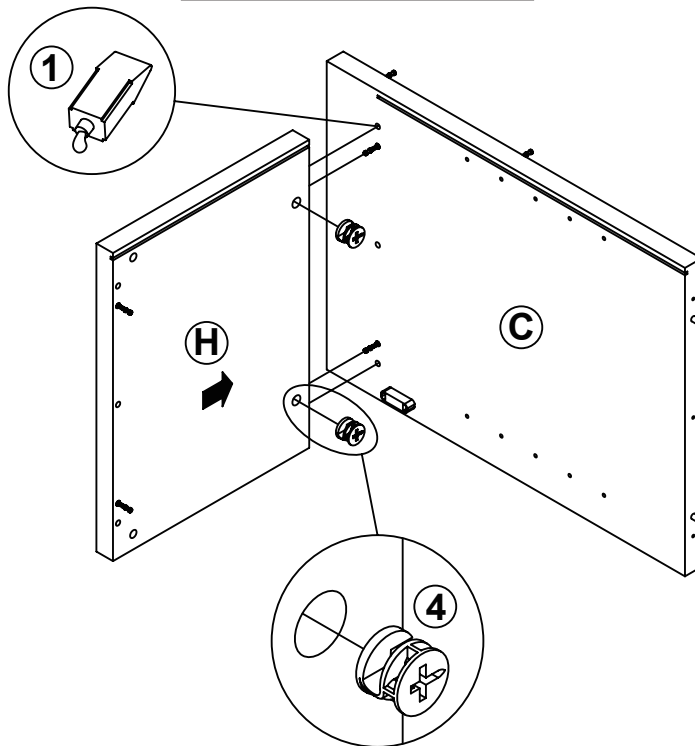
Apply glue on all wooden dowels to ensure integrity of the structure.



ITEM: 800107

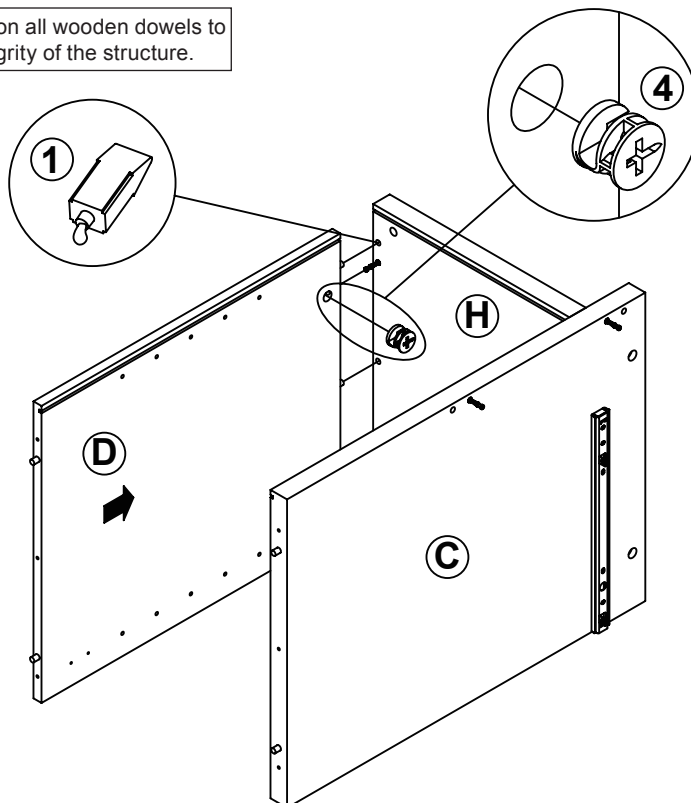
STEP 7

Apply glue on all wooden dowels to ensure integrity of the structure.



STEP 8

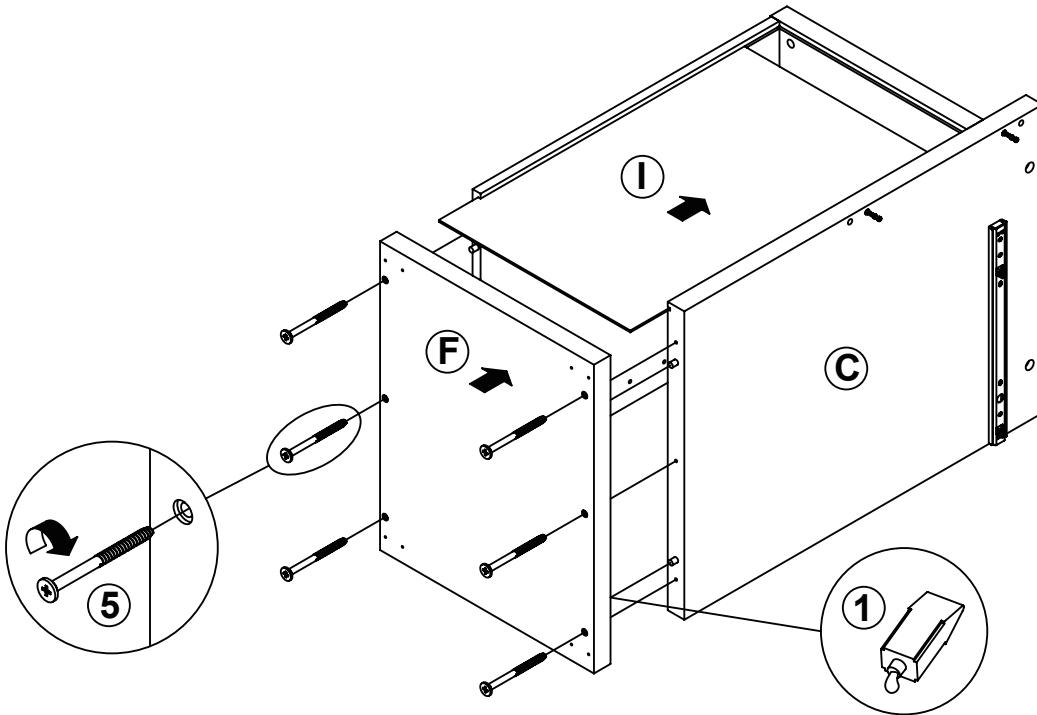
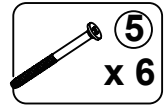
Apply glue on all wooden dowels to ensure integrity of the structure.



ITEM: 800107

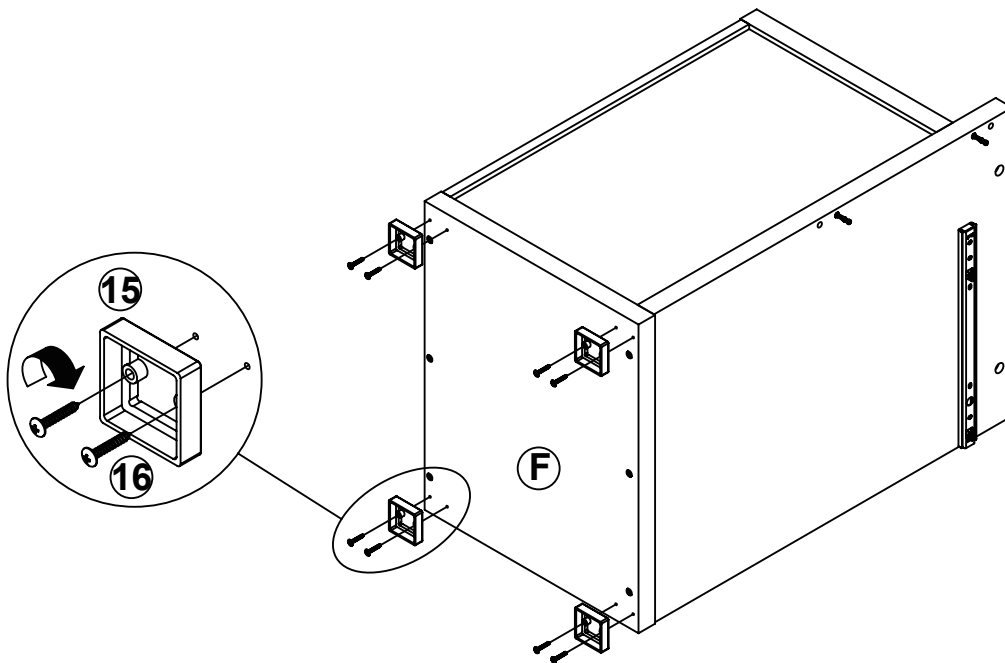
COASTER
FINE FURNITURE

STEP 9



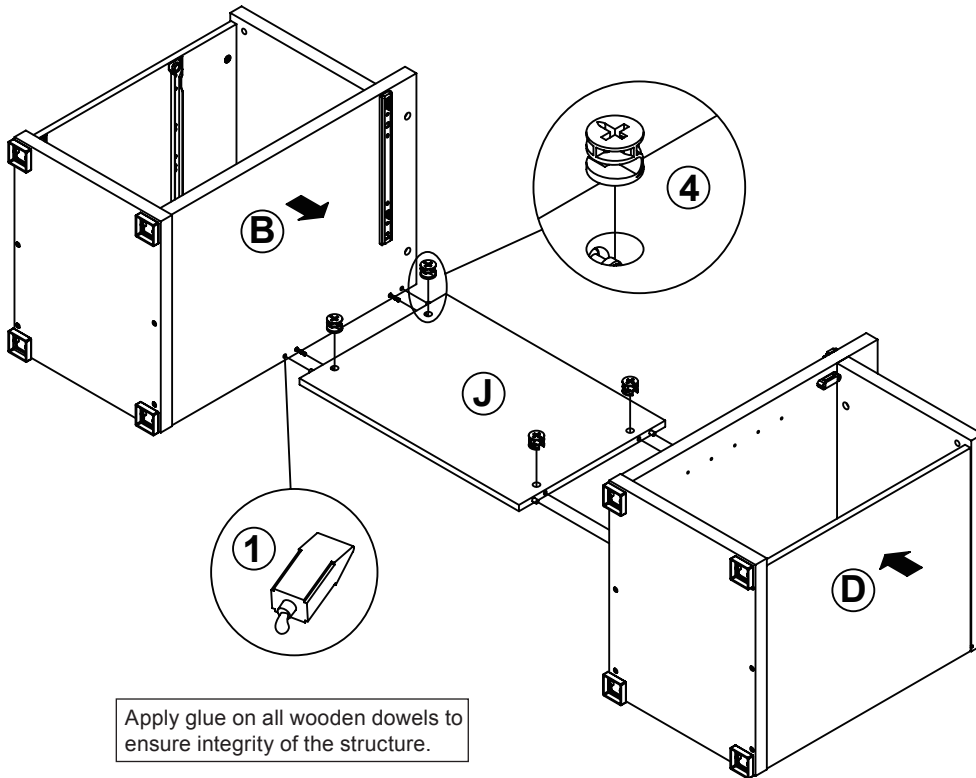
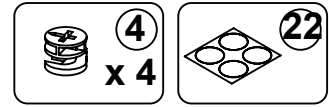
Apply glue on all wooden dowels to ensure integrity of the structure.

STEP 10

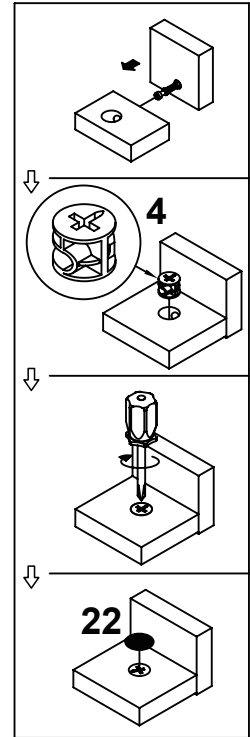


ITEM: 800107

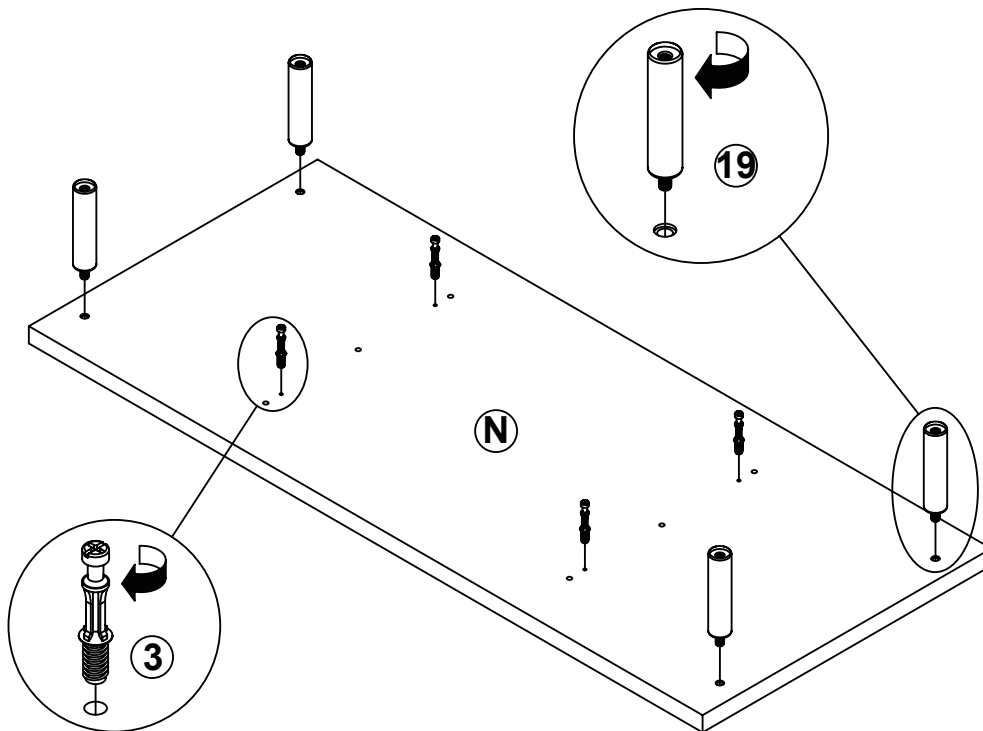
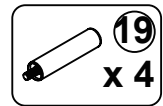
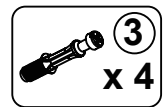
STEP 11



Apply glue on all wooden dowels to ensure integrity of the structure.

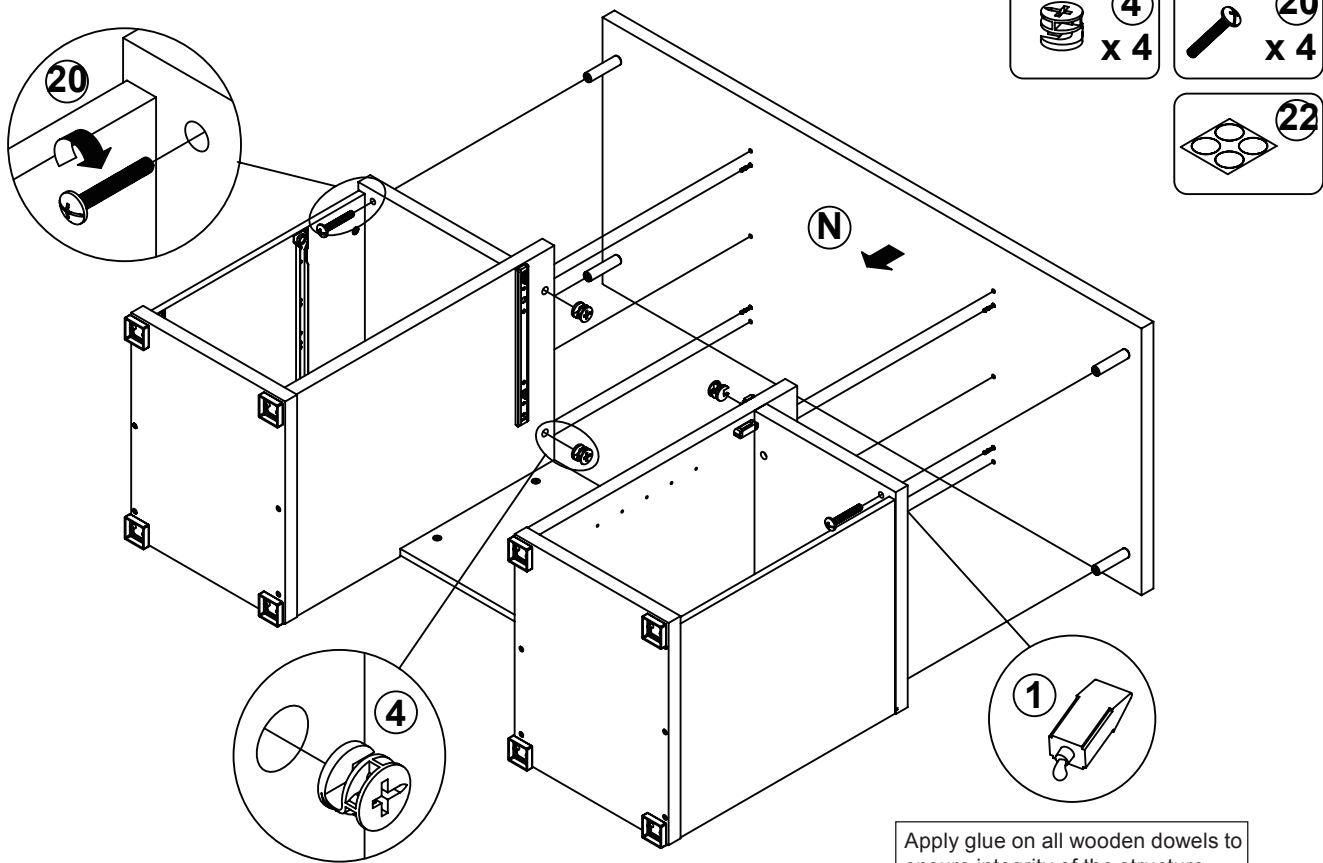


STEP 12

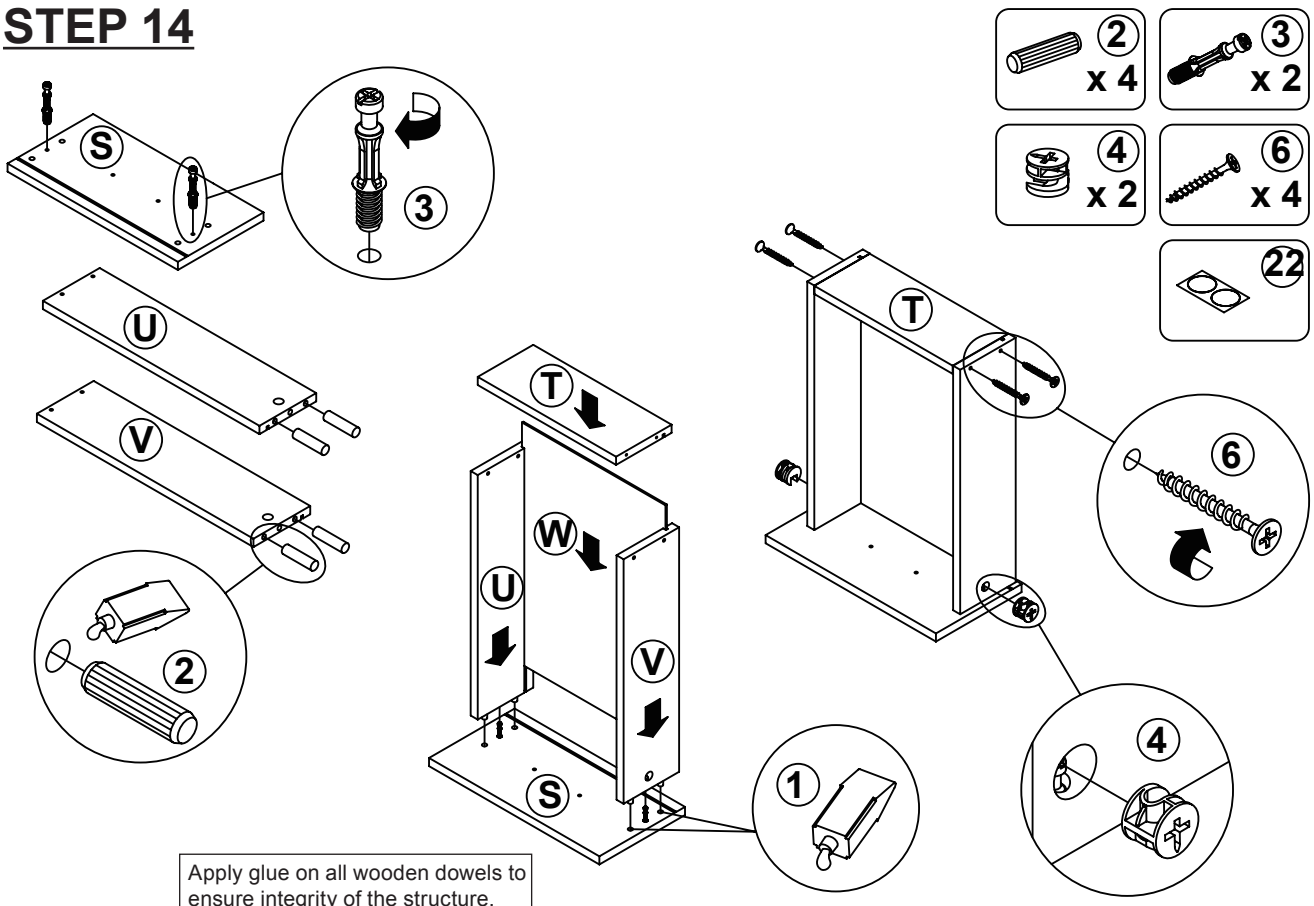


ITEM: 800107

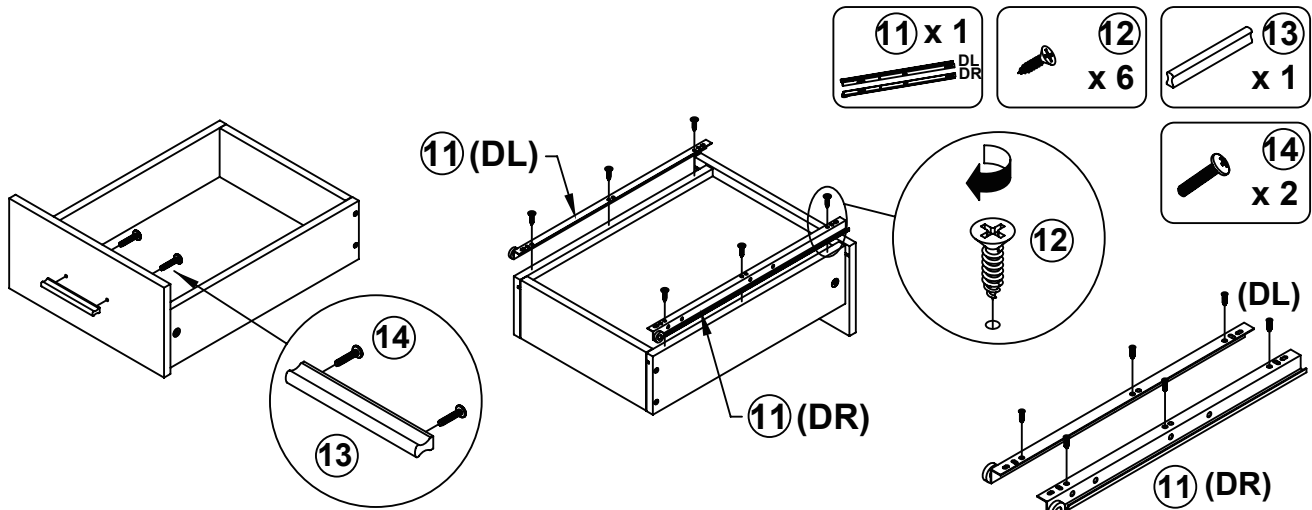
STEP 13



STEP 14

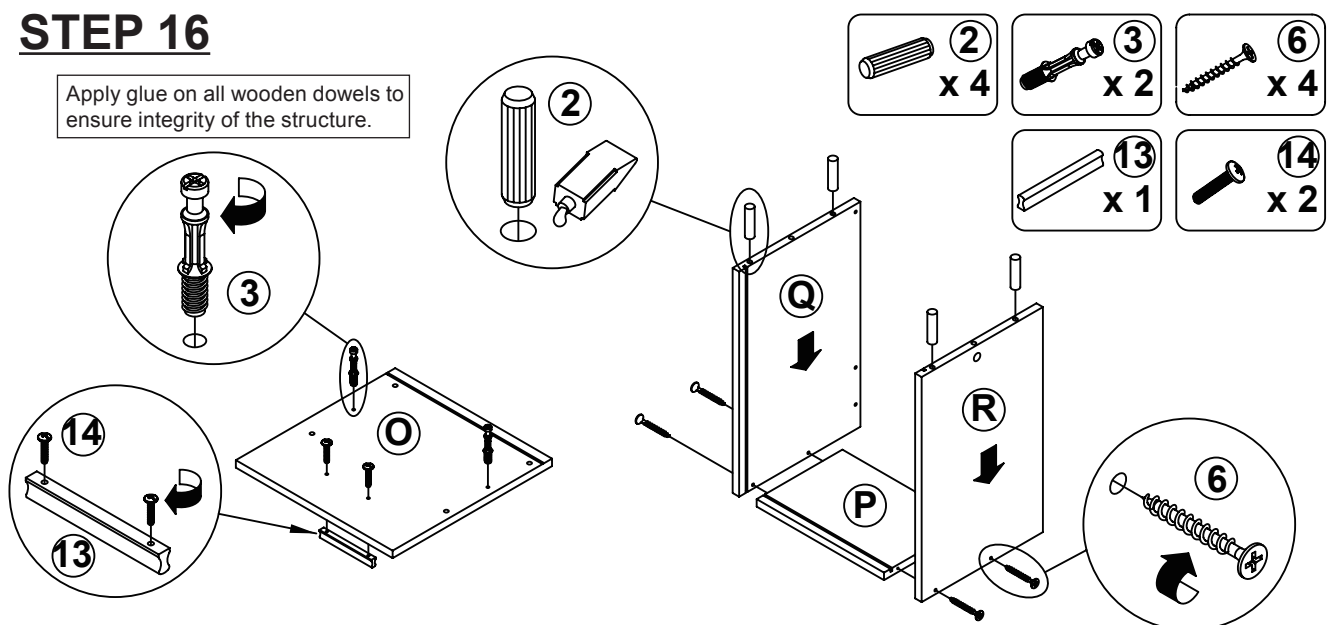


STEP 15



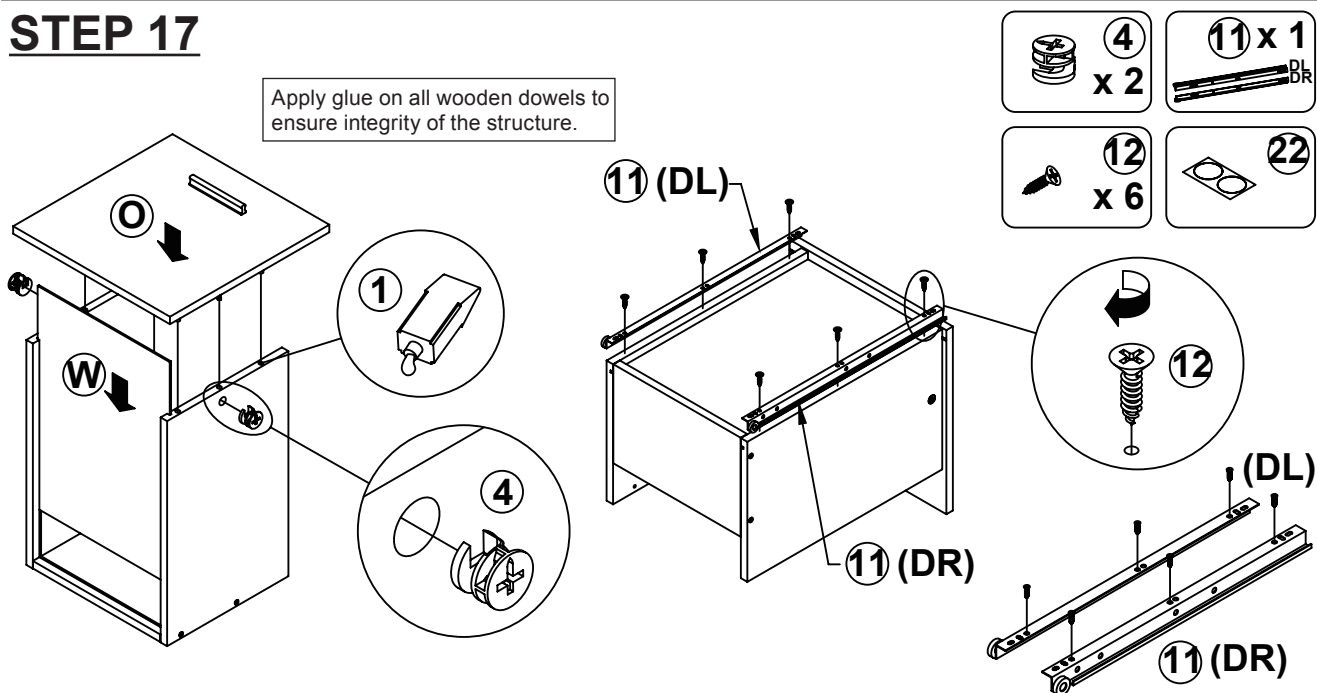
STEP 16

Apply glue on all wooden dowels to ensure integrity of the structure.

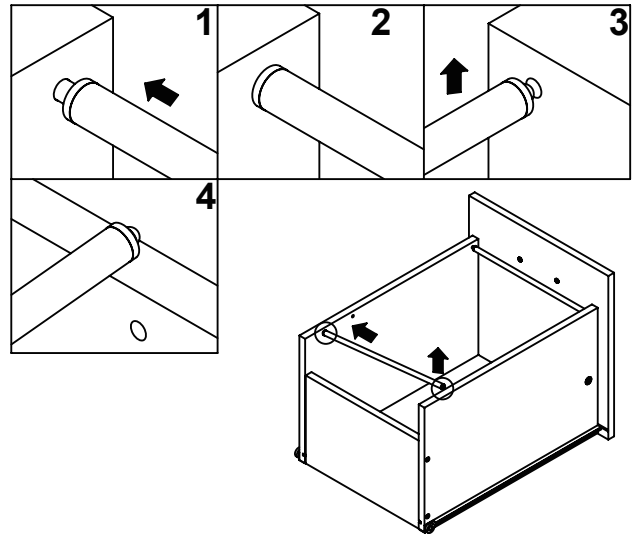
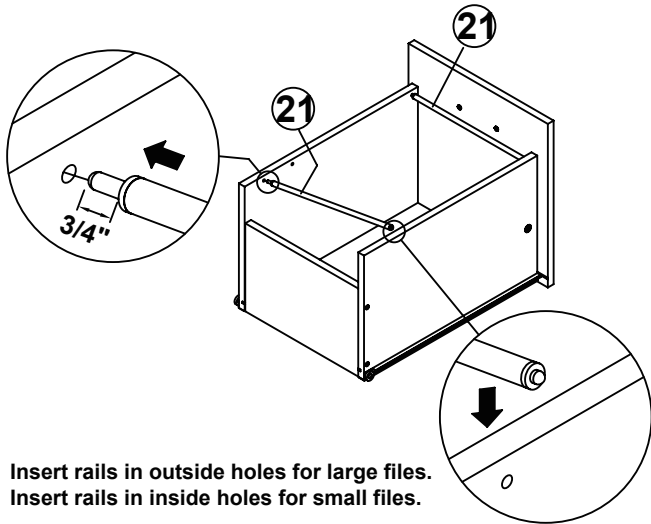


STEP 17

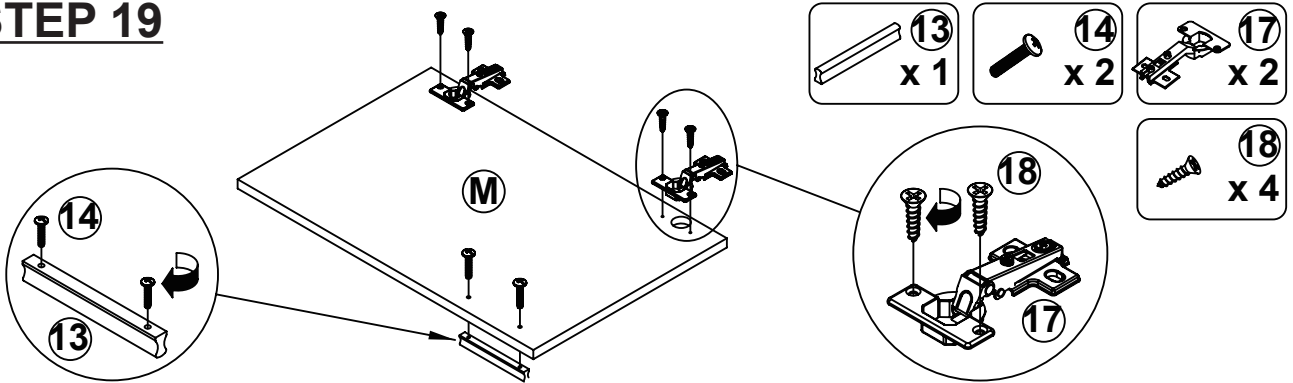
Apply glue on all wooden dowels to ensure integrity of the structure.



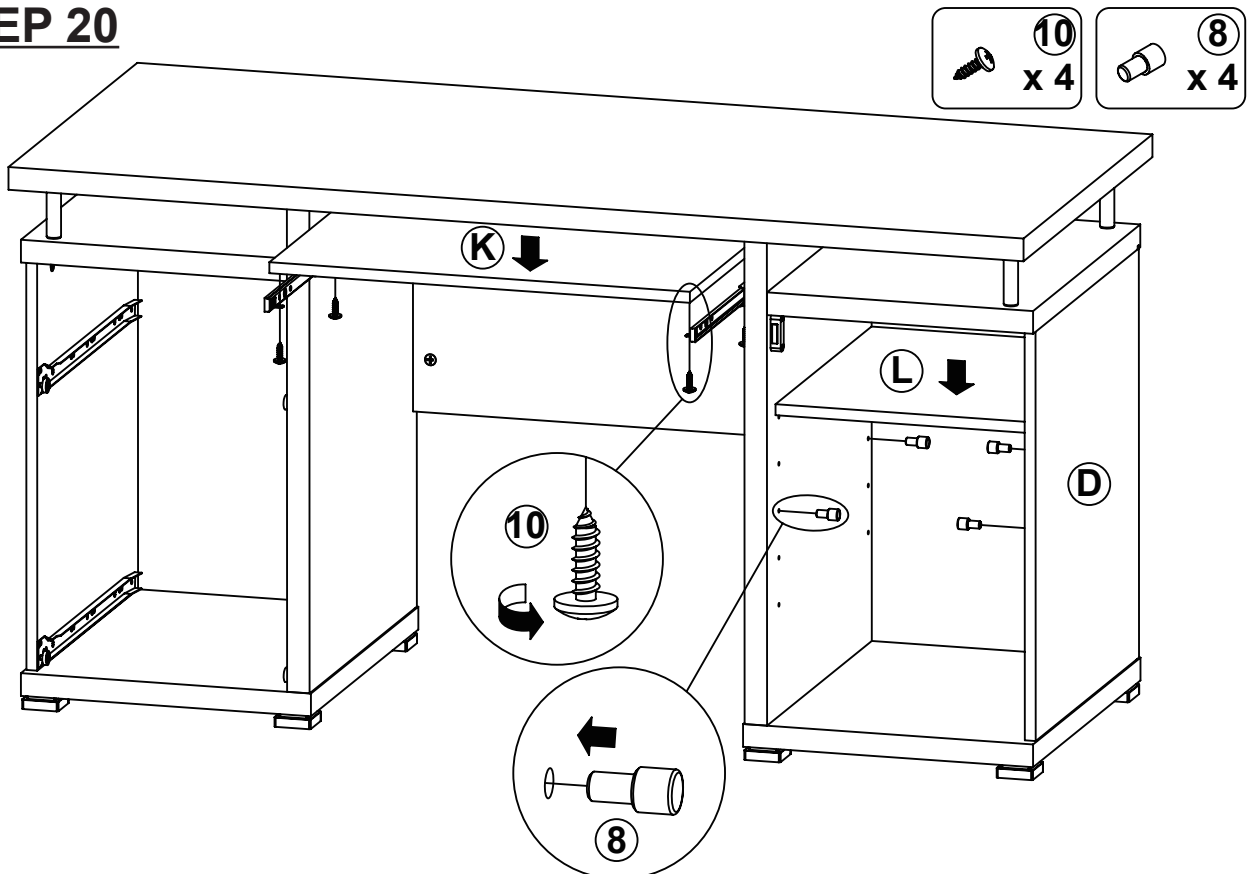
STEP 18



STEP 19



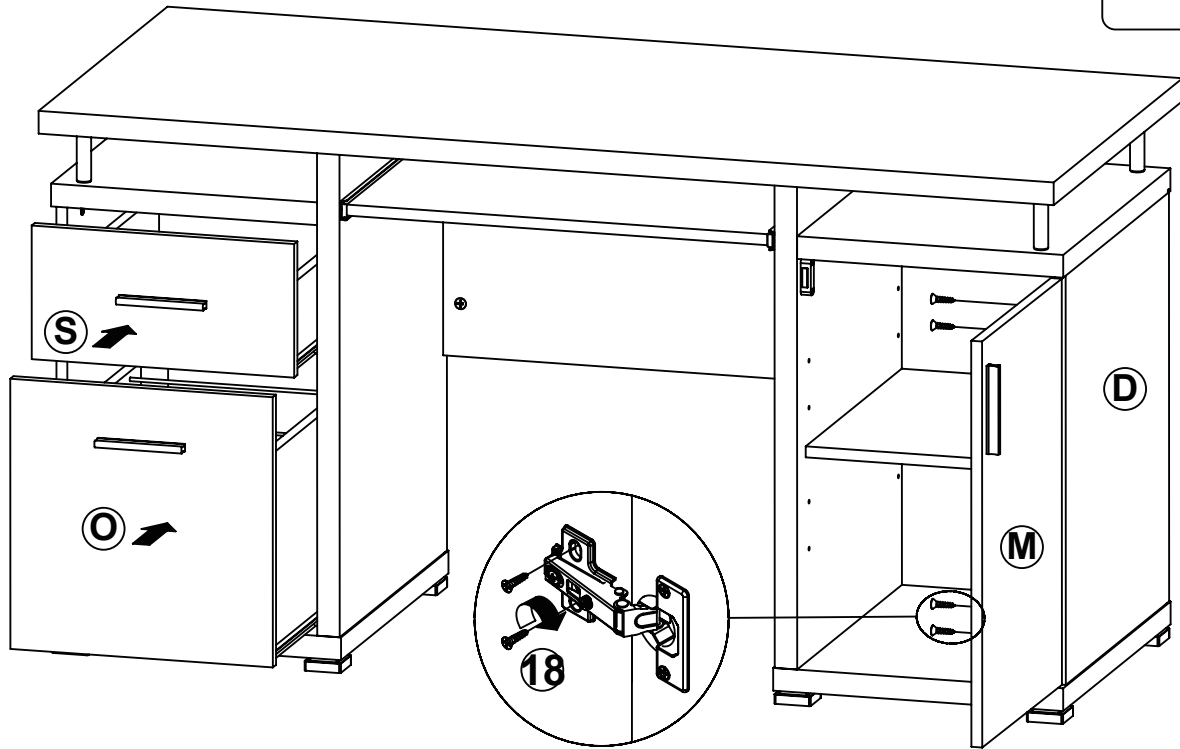
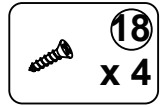
STEP 20



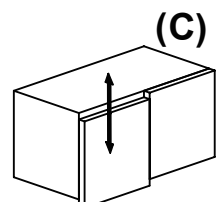
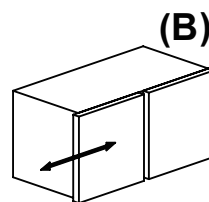
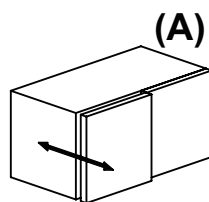
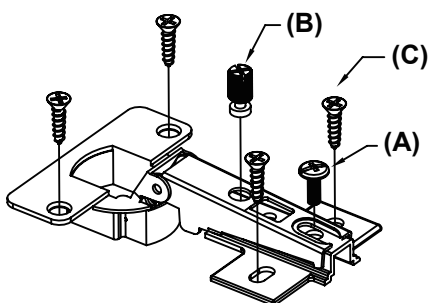
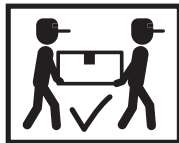
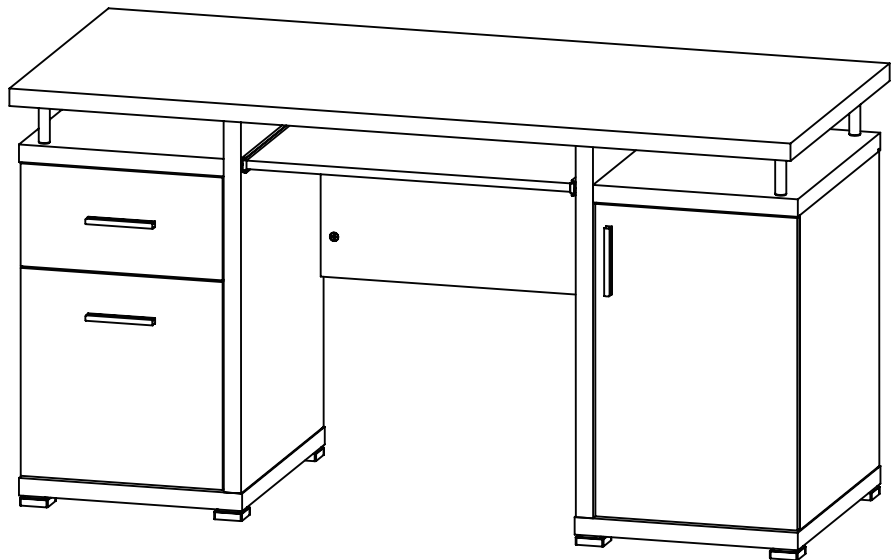
ITEM: 800107

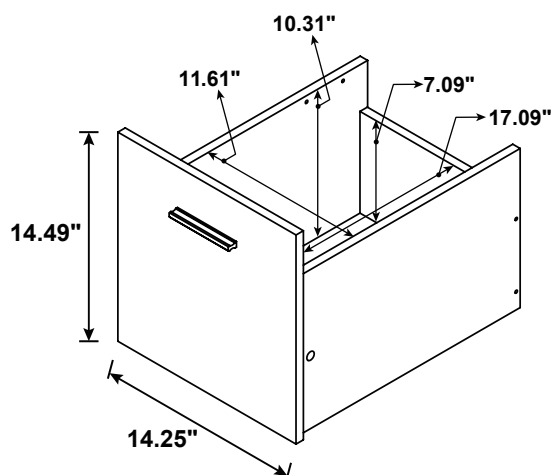
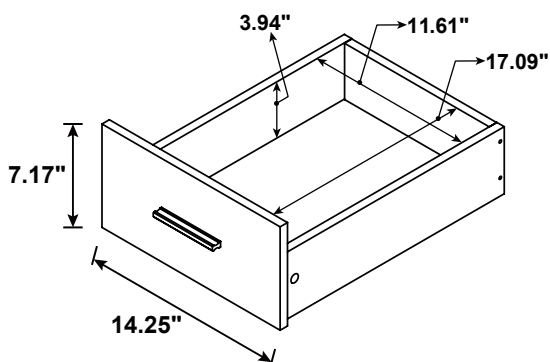
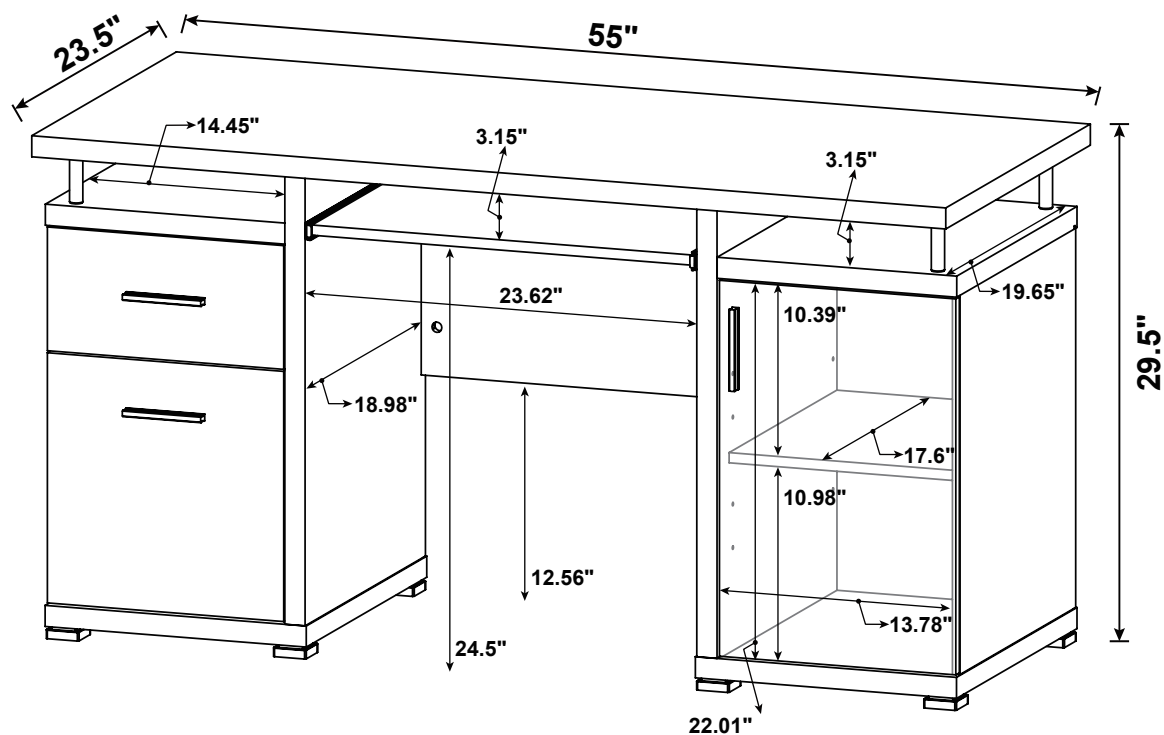
COASTER
FINE FURNITURE

STEP 21



STEP 22
COMPLETE





Note : Dimension tolerance $\pm 5\%$