



ASSEMBLY INSTRUCTIONS
COASTER FINE FURNITURE



Fine Furniture for every stage of life

800746
WRITING DESK

REVISION 0 : 09/14/2017
REVISION 1 : 07/02/2020
REVISION 2 : 06/21/2022

PAGE 1 OF 4

COASTERFURNITURE.COM

ITEM: 800746



ASSEMBLY INSTRUCTIONS

ASSEMBLY TIPS:

1. Remove hardware from box and sort by size.
2. Please check to see that all hardware and parts are present prior to start of assembly.
3. Please follow attached instructions in the same sequence as numbered to assure fast & easy assembly.



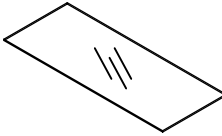
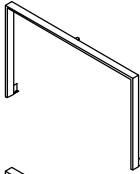
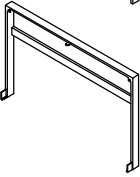
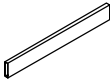

WARNING!

1. Don't attempt to repair or modify parts that are broken or defective. Please contact the store immediately.
2. This product is for home use only and not intended for commercial establishments.




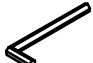


ASSEMBLY TIME 30 MINUTES

PARTS IDENTIFICATION

A	TOP GLASS		1PC
B	FRONT PANEL		1PC
C	BACK PANEL		1PC
D	LARGE CROSSBAR		2PCS
E	SMALL CROSSBAR		2PCS

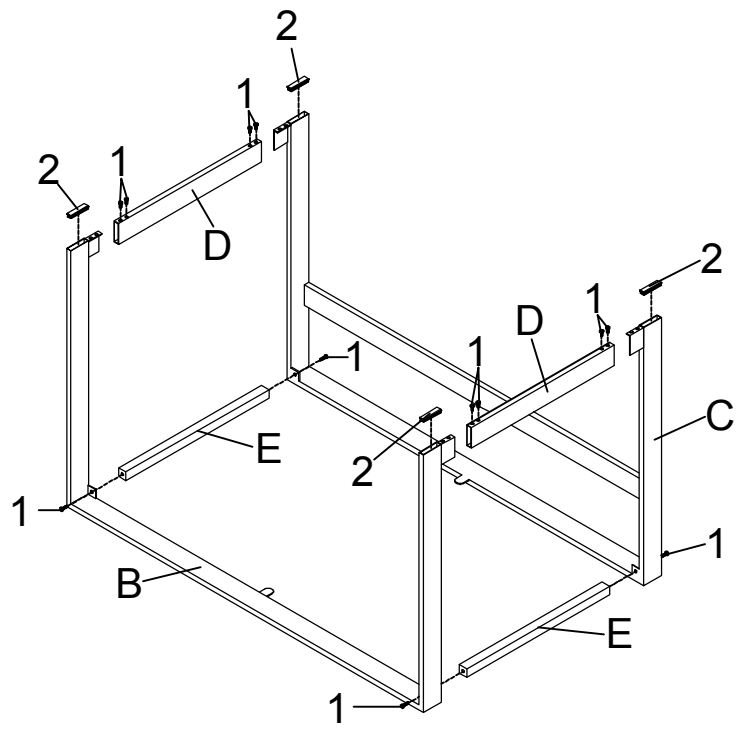
HARDWARE IDENTIFICATION

1	BOLT (1/4" x 18mm SR)		12PCS	3	SUCTION CUP (16.5 x 9.2mm)		6PCS
2	CAP (15 x 60mm BLK)		4PCS	4	ALLEN WRENCH (4mm)		4PCS

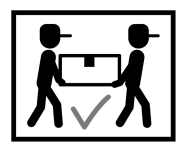
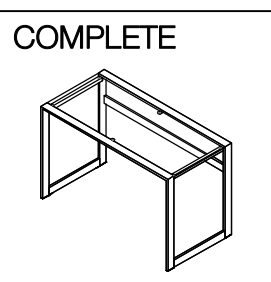
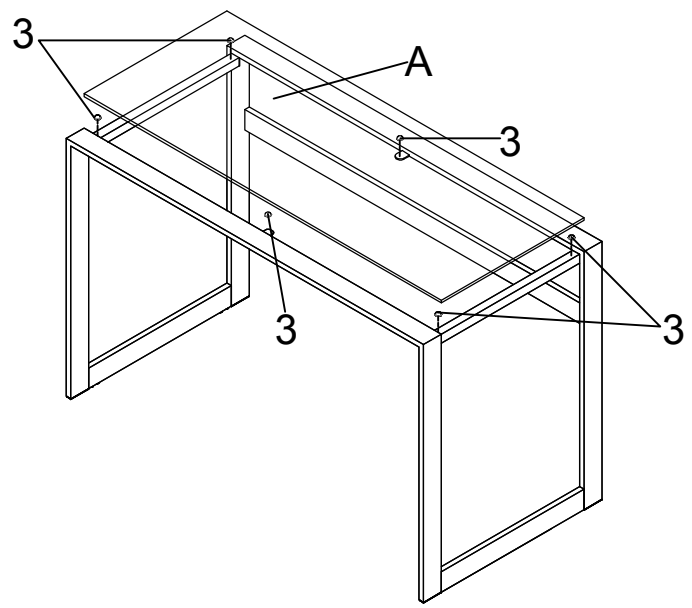
ITEM: 800746 ASSEMBLY INSTRUCTIONS



STEP 1 Do not tighten until each step is completed or instructed.



STEP 2

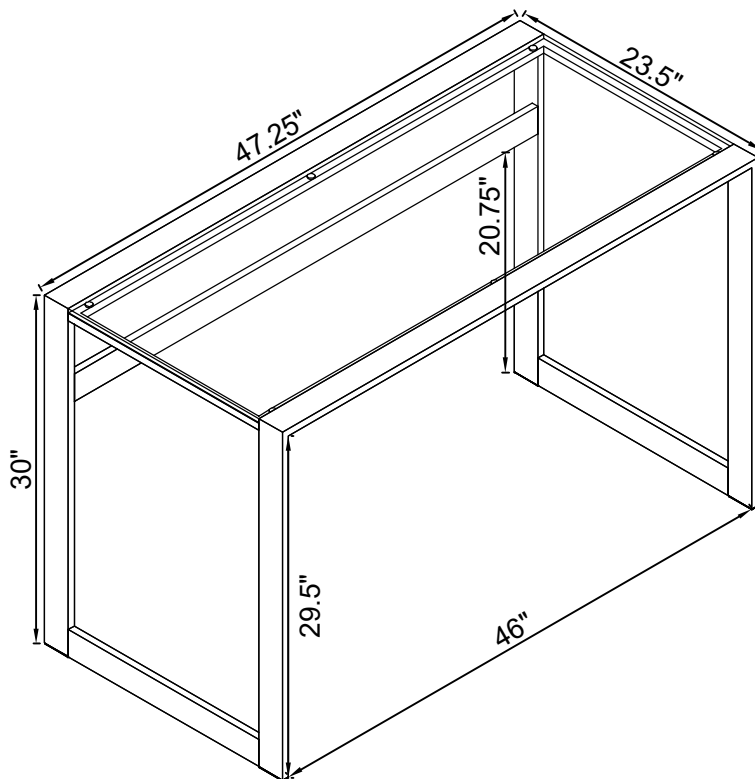


ITEM:800746 ASSEMBLY INSTRUCTIONS



Product Size : 1200 X 597 X 762 H (MM)

Product Size : 47.25" X 23.5" X 30"



Note : Dimension tolerance $\pm 5\%$