

ASSEMBLY INSTRUCTIONS
COASTER FINE FURNITURE



Fine Furniture for every stage of life

800894
MOBILE FILE CABINET

ITEM: **800894**

ASSEMBLY INSTRUCTIONS

ASSEMBLY TIPS:

1. Remove hardware from box and sort by size.
2. Please check to see that all hardware and parts are present prior to start of assembly.
3. Please follow attached instructions in the same sequence as numbered to assure fast & easy assembly.



WARNING!

1. Don't attempt to repair or modify parts that are broken or defective. Please contact the store immediately.
2. This product is for home use only and not intended for commercial establishments.

ASSEMBLY TIME

50 MINUTES

PARTS IDENTIFICATION



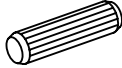






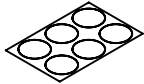


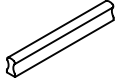
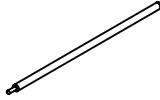

A	LEFT SIDE PANEL		1 PC	I	LEFT DRAWER SIDE PANEL		1 PC
B	RIGHT SIDE PANEL		1 PC	J	RIGHT DRAWER SIDE PANEL		1 PC
C	BOTTOM PANEL		1 PC	K	DRAWER FRONT PANEL		2 PCS
D	TOP PANEL		1 PC	L	DRAWER BACK PANEL		2 PCS
E	BACK BOARD		1 PC	M	LEFT DRAWER SIDE PANEL		2 PCS
F	BACK PANEL		2 PCS	N	RIGHT DRAWER SIDE PANEL		2 PCS
G	DRAWER FRONT PANEL		1 PC	O	DRAWER BOTTOM PANEL		3 PCS
H	DRAWER BACK PANEL		1 PC				

NOTE:

Phillips head screw driver is required in the assembly process; however, manufacturer does not provide this item.

ITEM:800894

HARDWARE IDENTIFICATION

Z							
NO	DESCRIPTION	FIGURE	Q'TY	NO	DESCRIPTION	FIGURE	Q'TY
1	GLUE 15g		1 PC	9	LOCK CASTER Ø 50mm		2 PCS
2	WOODEN DOWEL Ø 8x30mm		18 PCS	10	CASTER Ø 50mm		2 PCS
3	CAM LOCK Ø 15x12mm SR		16 PCS	11	WHEEL Ø 50mm		1 PC
4	CAM BOLT Ø 7x35.5mm SR		16 PCS	12	SCREW Ø 4x15mm SR		19 PCS
5	DRAWER SCREW Ø 4.2x35mm SR		12 PCS	13	STICKER Ø 20mm		3 PCS
6	GLIDES SCREW Ø 3x12mm SR		42 PCS	14	GLIDES L = 400mm WHT		3 SET
7	HANDLE L=120mm		3 PCS	15	IRON BAR Ø 9.5x402mm SR		2 PCS
8	HANDLE BOLT Ø 4x28mm SR		6 PCS				

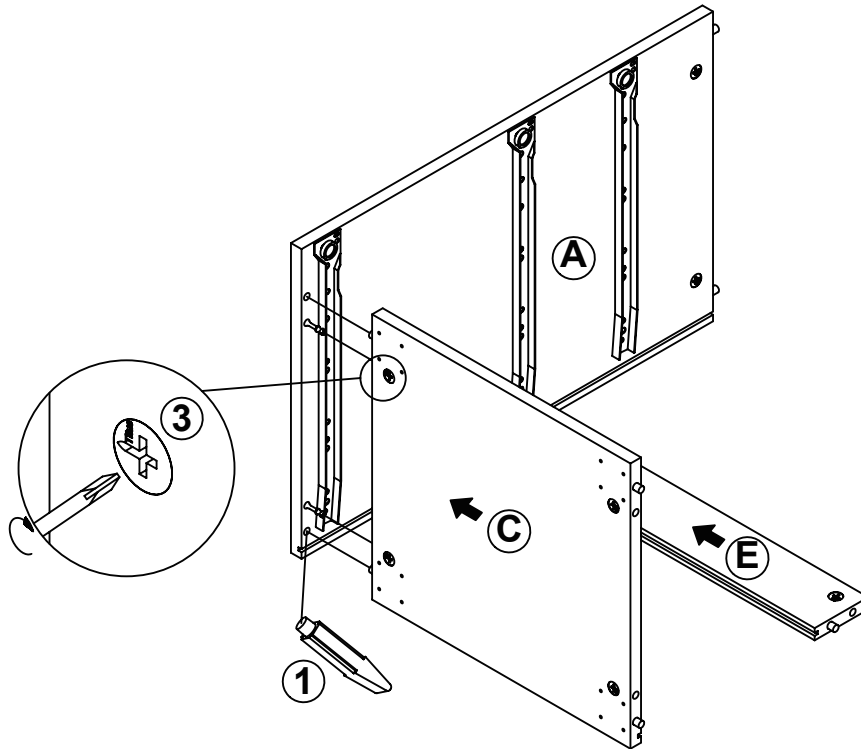
Z7,Z8,Z9,Z10,Z11,Z12,Z14,Z15 not included in blister packaging.

NOTE:

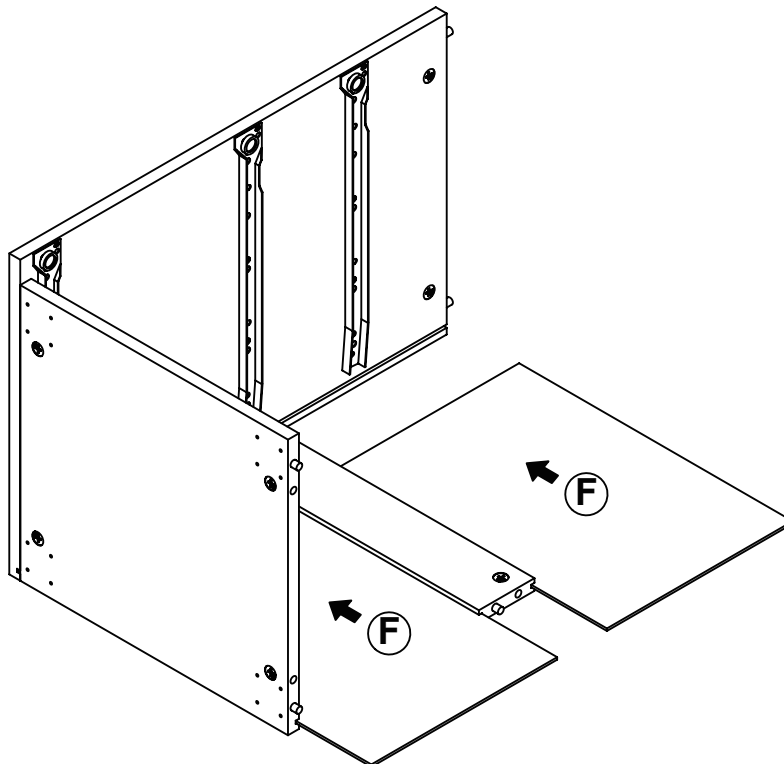
Phillips head screw driver is required in the assembly process; however, manufacturer does not provide this item.

ITEM: **800894**

STEP 3

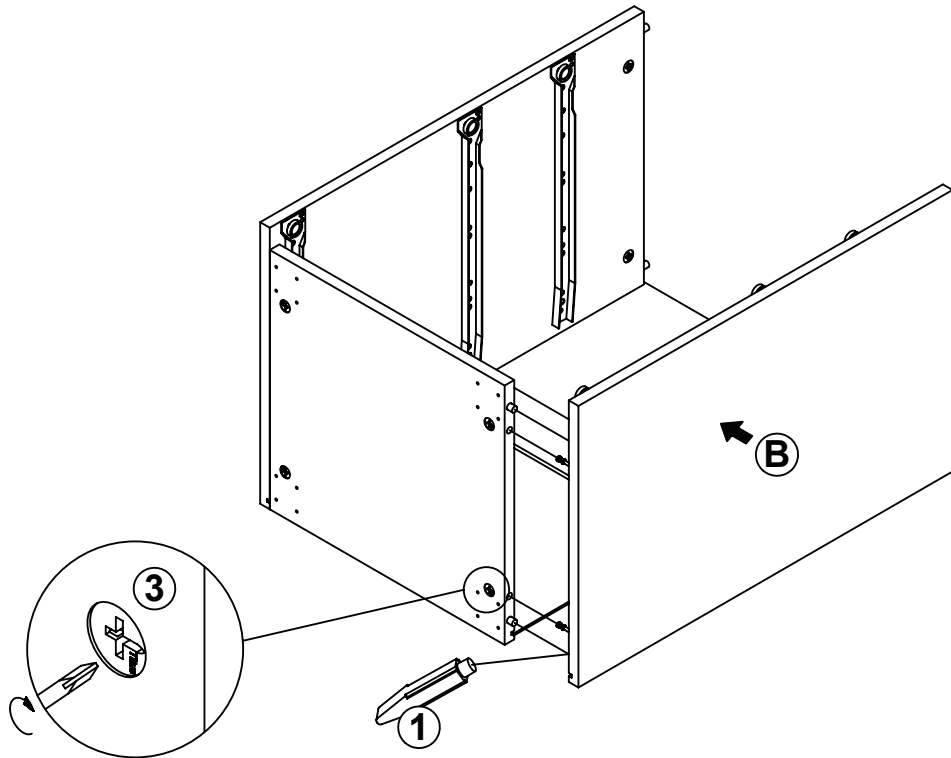


STEP 4

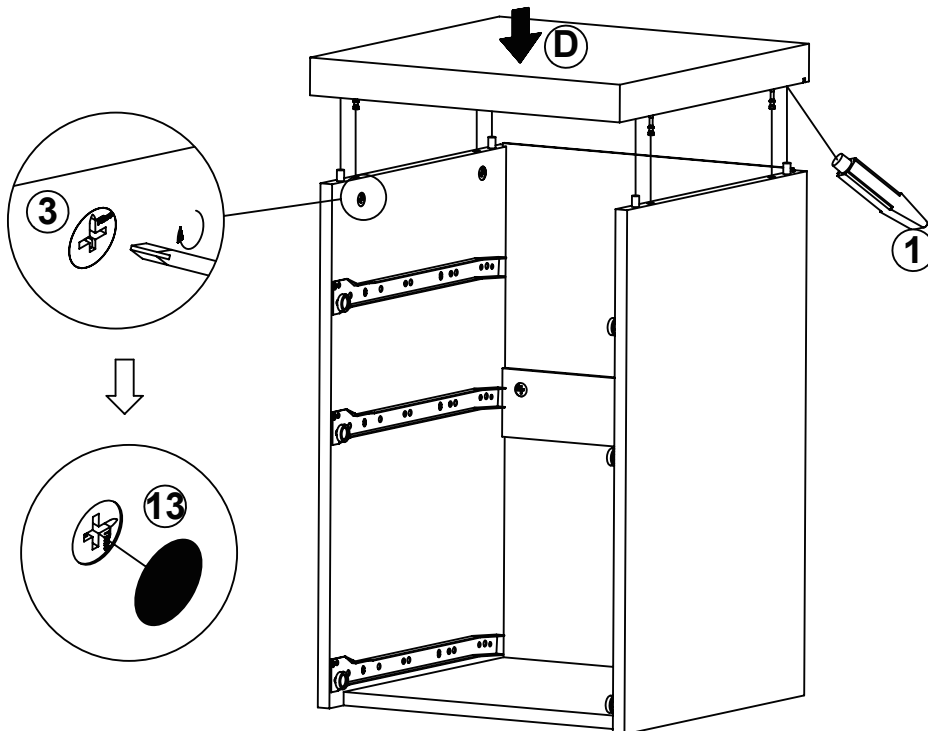


ITEM: 800894

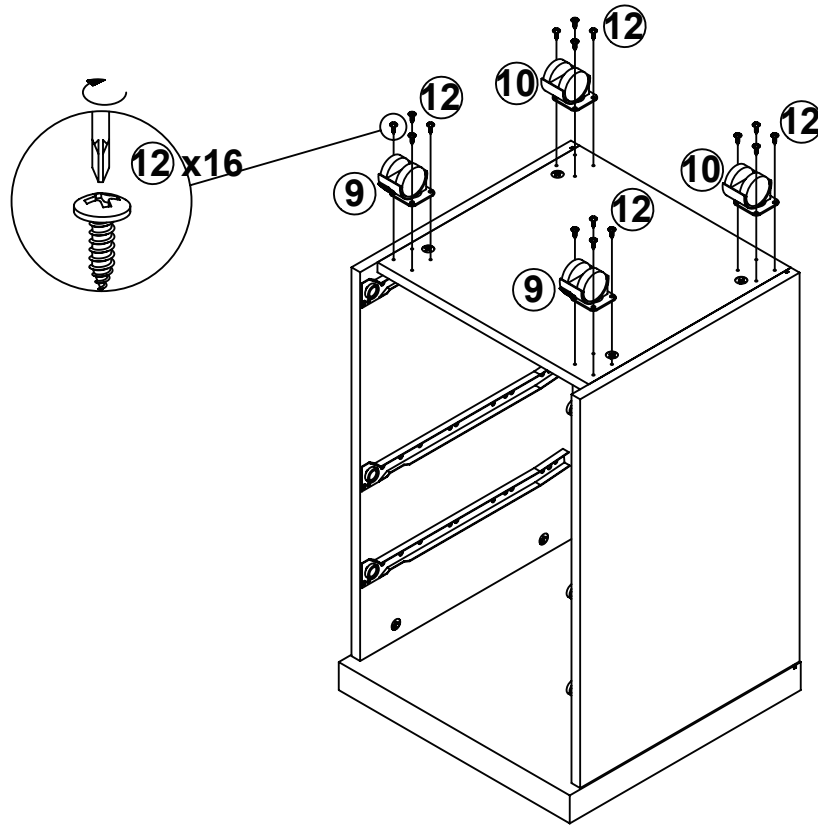
STEP 5



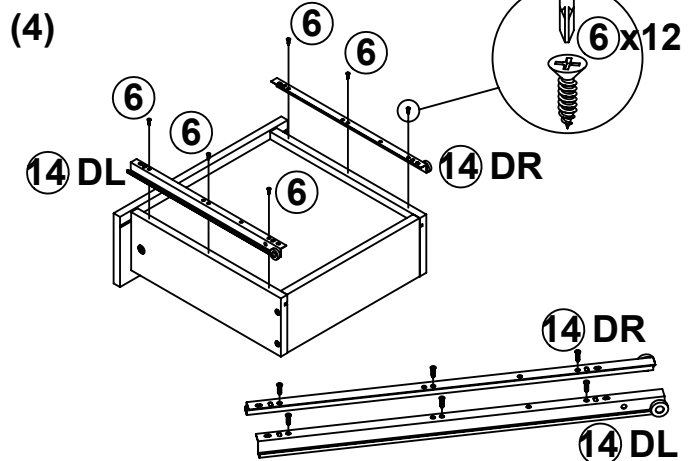
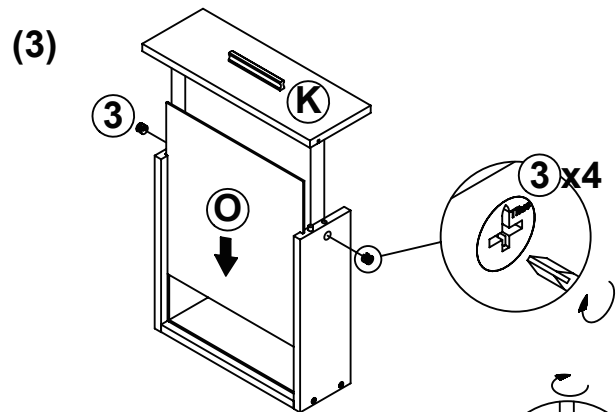
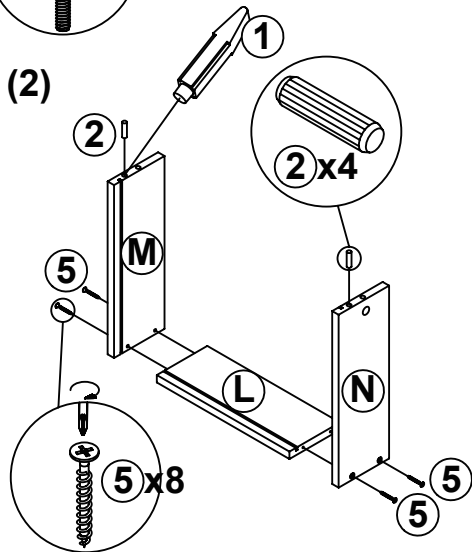
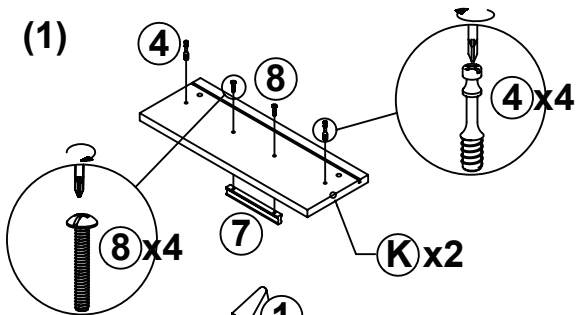
STEP 6



STEP 7

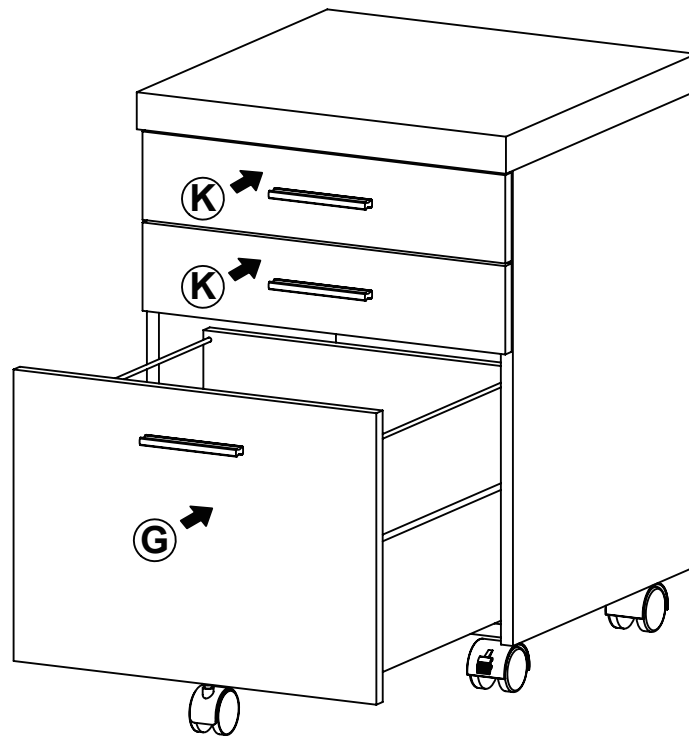


STEP 8

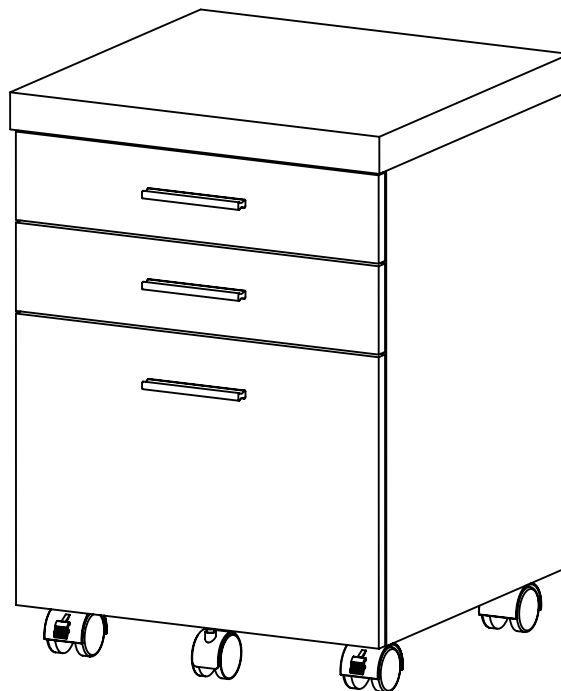


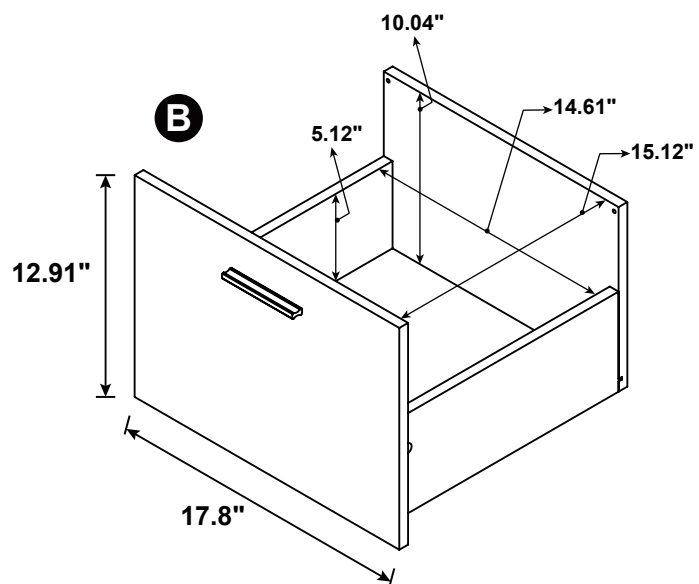
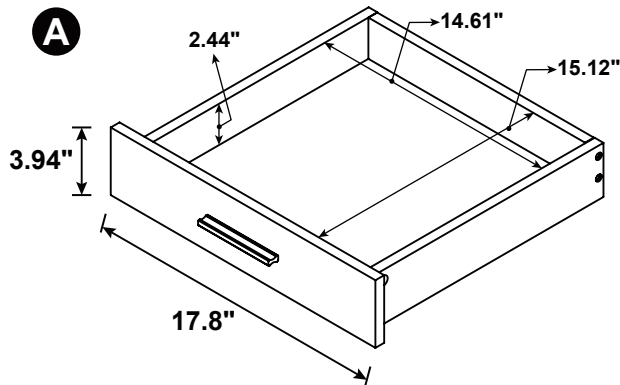
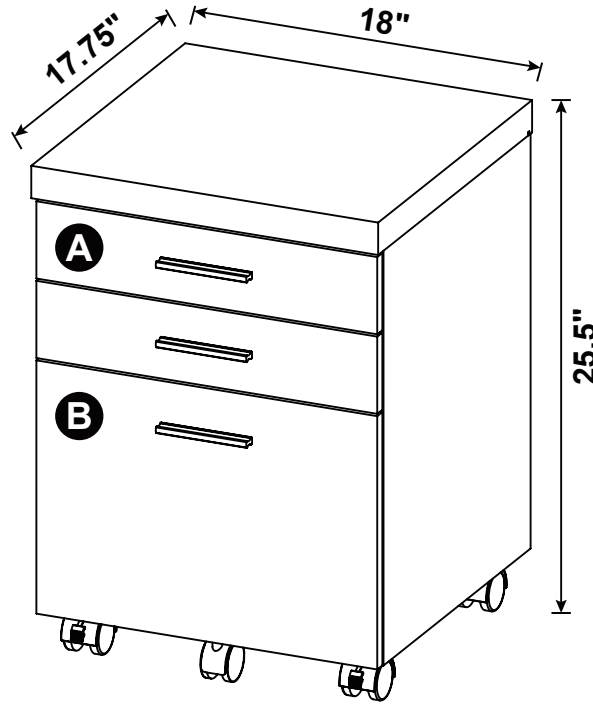
ITEM: **800894**

STEP 10



STEP 11
COMPLETE





Note : Dimension tolerance $\pm 5\%$