

*ASSEMBLY INSTRUCTIONS*  
*COASTER FINE FURNITURE*



*Fine Furniture for every stage of life*

**800897**  
**WRITING DESK**

REVISION 0 : 09/14/2017  
REVISION 1 : 06/24/2022

ITEM: 800897



# ASSEMBLY INSTRUCTIONS

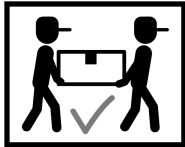
## ASSEMBLY TIPS:

1. Remove hardware from box and sort by size.
2. Please check to see that all hardware and parts are present prior to start of assembly.
3. Please follow attached instructions in the same sequence as numbered to assure fast & easy assembly.



### WARNING!

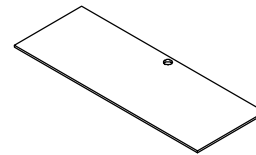
1. Don't attempt to repair or modify parts that are broken or defective. Please contact the store immediately.
2. This product is for home use only and not intended for commercial establishments.



ASSEMBLY TIME 70 MINUTES

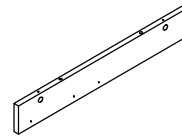
## PARTS IDENTIFICATION

A TOP BOARD



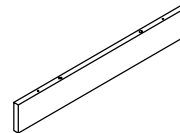
1PC

B LEFT BOARD



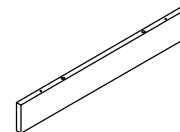
1PC

C MIDDLE BOARD



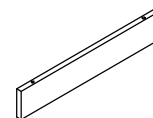
1PC

D RIGHT BOARD



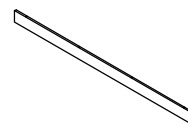
1PC

E SMALL BOARD



1PC

F BACK BOARD



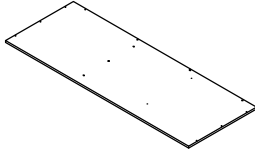
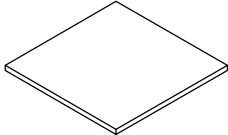
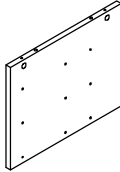
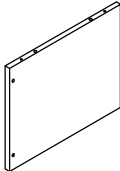
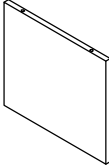
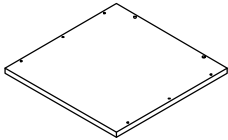
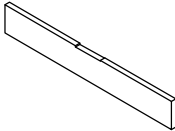
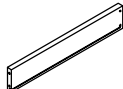
1PC

ITEM: 800897

# ASSEMBLY INSTRUCTIONS

## PARTS IDENTIFICATION



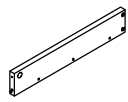
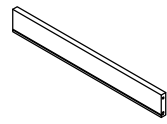
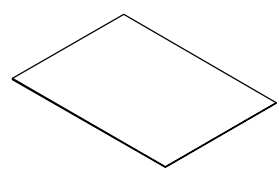
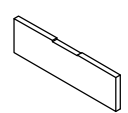
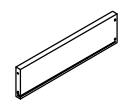
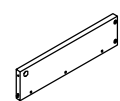
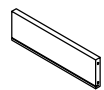
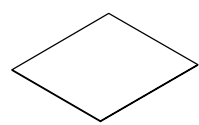
G	BOTTOM BOARD		1PC
H	TOP BOX PANEL		1PC
I	LEFT BOX PANEL		1PC
J	RIGHT BOX PANEL		1PC
K	BACK BOX PANEL		1PC
L	BOTTOM BOX PANEL		1PC
M	LARGE DRAWER FRONT PANEL		1PC
N	LARGE DRAWER LEFT PANEL		1PC

ITEM: 800897



# ASSEMBLY INSTRUCTIONS

## PARTS IDENTIFICATION

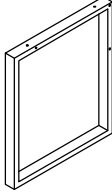
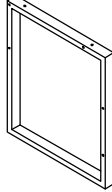
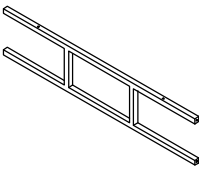
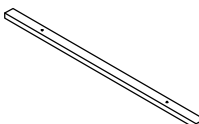

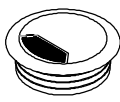
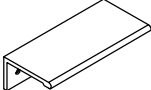
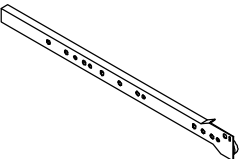
O	LARGE DRAWER RIGHT PANEL		1PC
P	LARGE DRAWER BACK PANEL		1PC
Q	LARGE DRAWER BOTTOM PANEL		1PC
R	SMALL DRAWER FRONT PANEL		3PCS
S	SMALL DRAWER LEFT PANEL		3PCS
T	SMALL DRAWER RIGHT PANEL		3PCS
U	SMALL DRAWER BACK PANEL		3PCS
V	SMALL DRAWER BOTTOM PANEL		3PCS

ITEM: 800897

# ASSEMBLY INSTRUCTIONS

## PARTS IDENTIFICATION



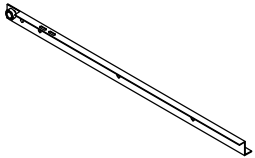
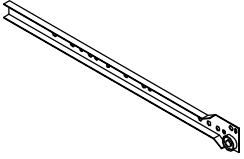
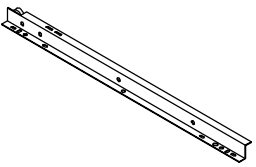
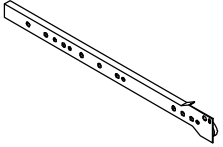
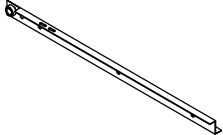
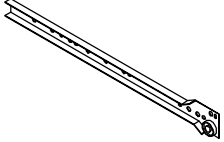
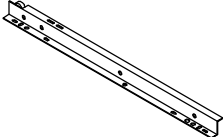
A1	LEFT FRAME		1PC
B1	RIGHT FRAME		1PC
C1	BACK FRAME		1PC
D1	CROSSBAR		1PC
E1	ROUND CROSSBAR		1PC
F1	COVER		1PC
G1	HANDLE		4PCS
H1	LONG LEFT OUTSIDE SLIDE RAIL		1PC

ITEM: 800897

# ASSEMBLY INSTRUCTIONS



## PARTS IDENTIFICATION

I1	LONG LEFT INSIDE SLIDE RAIL		1PC
J1	LONG RIGHT OUTSIDE SLIDE RAIL		1PC
K1	LONG RIGHT INSIDE SLIDE RAIL		1PC
L1	SHORT LEFT OUTSIDE SLIDE RAIL		3PCS
M1	SHORT LEFT INSIDE SLIDE RAIL		3PCS
N1	SHORT RIGHT OUTSIDE SLIDE RAIL		3PCS
O1	SHORT RIGHT INSIDE SLIDE RAIL		3PCS

ITEM: 800897

# ASSEMBLY INSTRUCTIONS




## HARDWARE IDENTIFICATION


1 CAM BOLT  
(38mm)  18PCS


2 CAM LOCK  
( $\phi$ 15mm)  18PCS


3 WOOD DOWEL  
(8 x 30mm)  32PCS

4 LONG SCREW  
( $\phi$ 8 x 38mm)  33PCS

5 SHORT SCREW  
( $\phi$ 6 x 12mm)  56PCS

6 SHORT BOLT  
(1/4" x 25mm SR)  2PCS


7 MEDIUM BOLT  
(1/4" x 35mm SR)  8PCS

8 LONG BOLT  
(1/4" x 75mm SR)  6PCS

9 LED BOLT  
(1/4" x 38mm)  1PC

10 LEVELER  
(1/4" x 17mm)  5PCS

11 ADHESIVE  
( $\phi$ 20mm)  2PCS

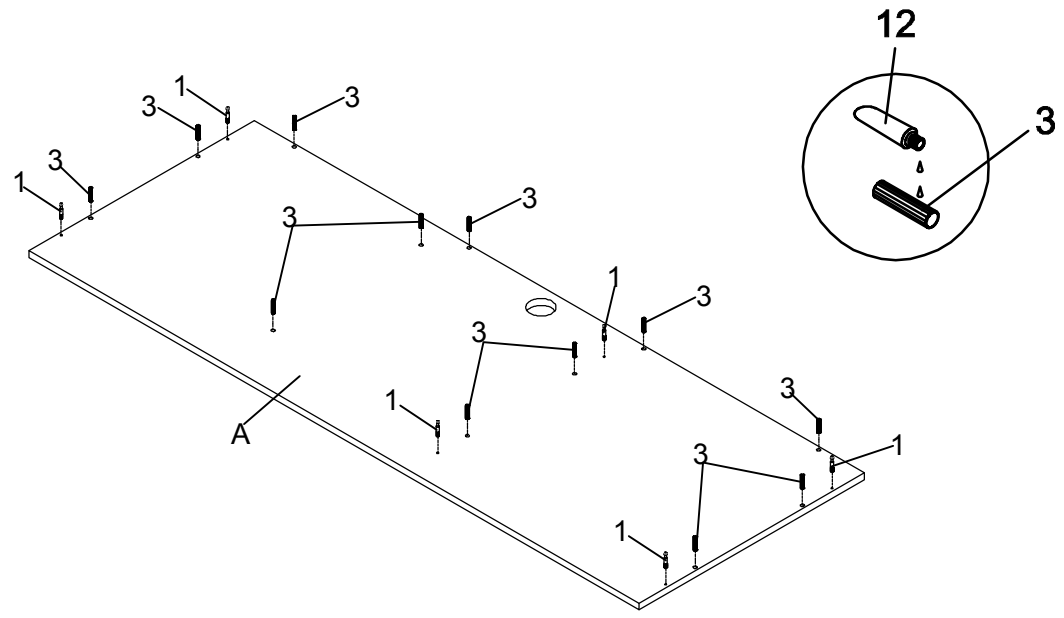
12 GLUE  1PC

13 ALLEN WRENCH  
(4mm)  1PC

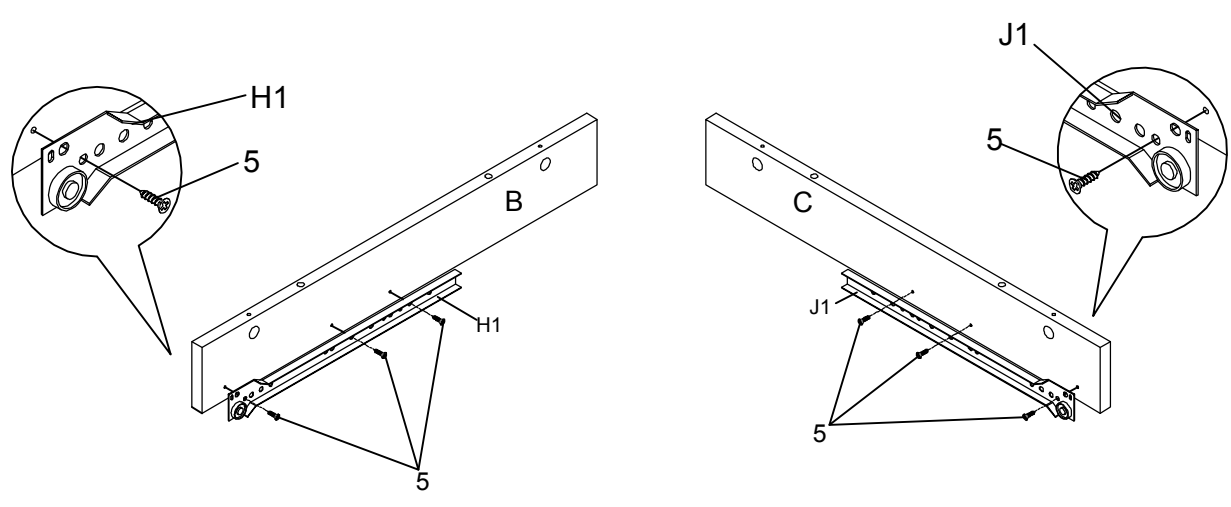
# ITEM: 800897 ASSEMBLY INSTRUCTIONS



## STEP 1



## STEP 2

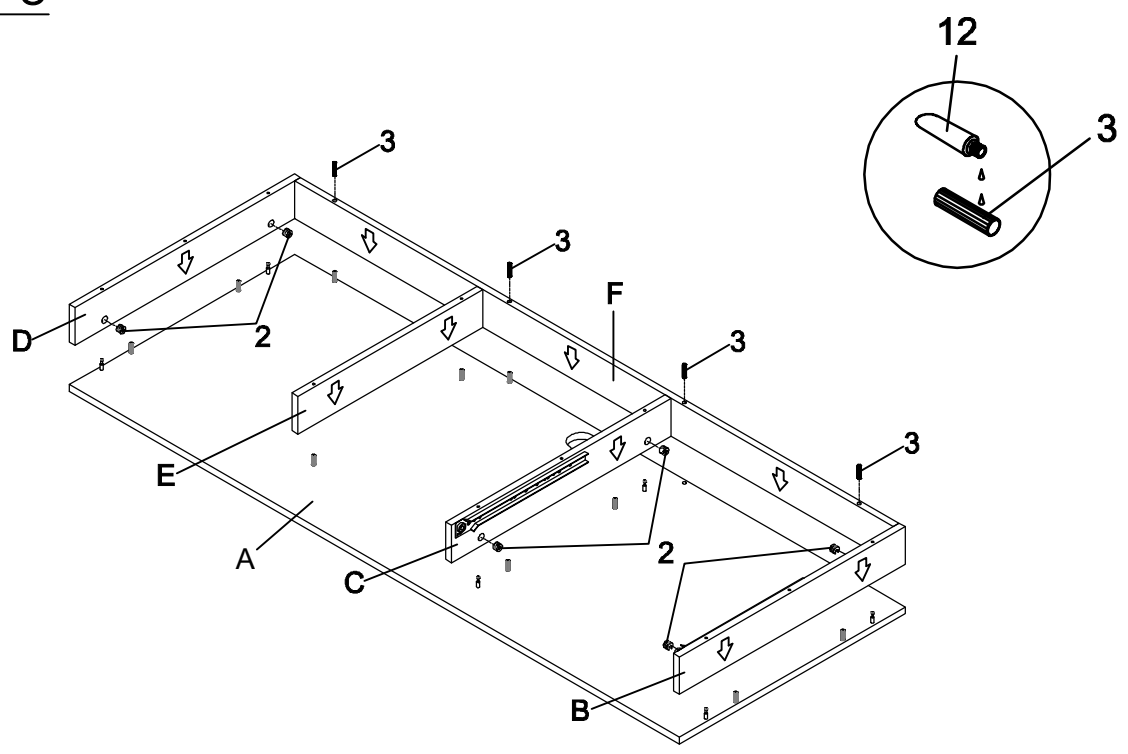




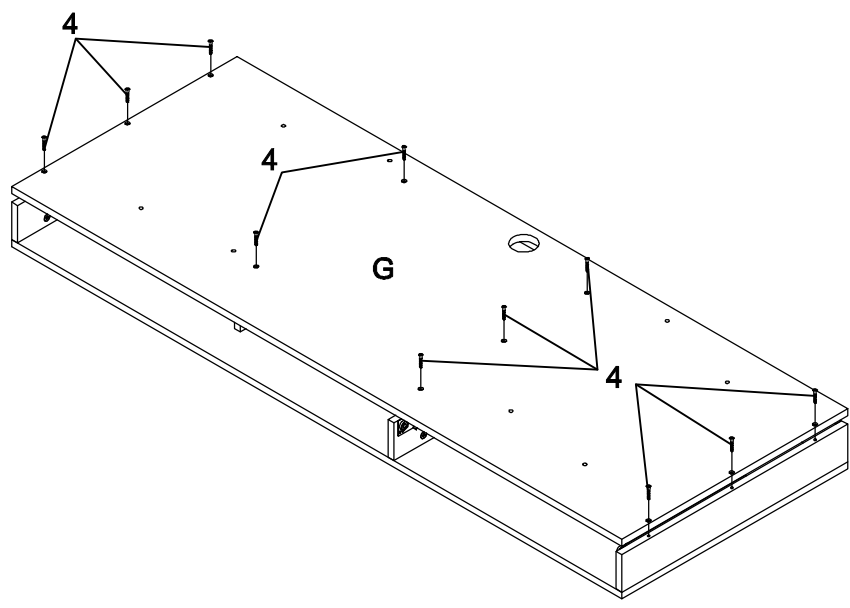
ITEM: 800897  
ASSEMBLY INSTRUCTIONS



STEP 3



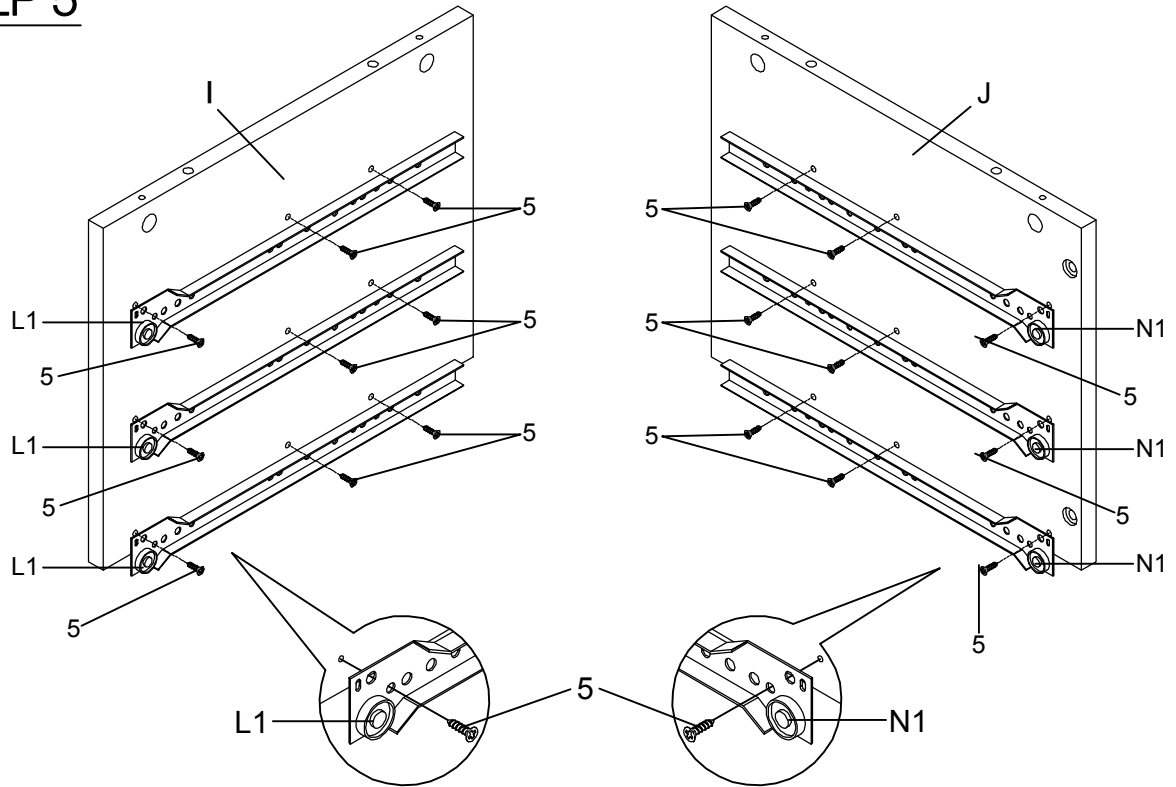
STEP 4



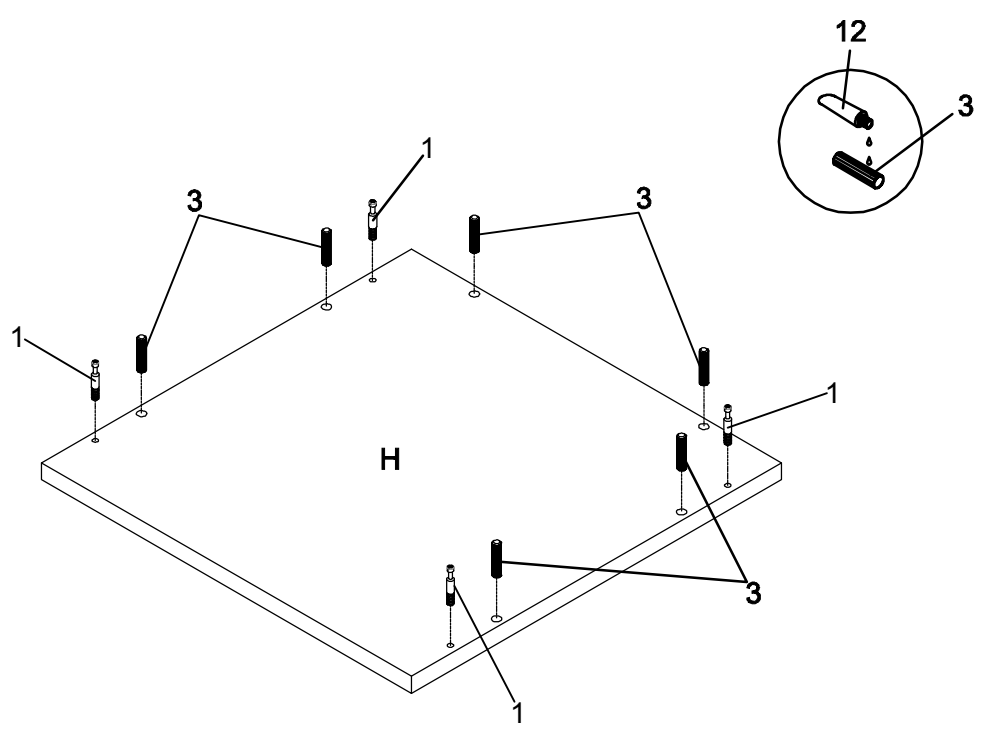
# ITEM: 800897 ASSEMBLY INSTRUCTIONS



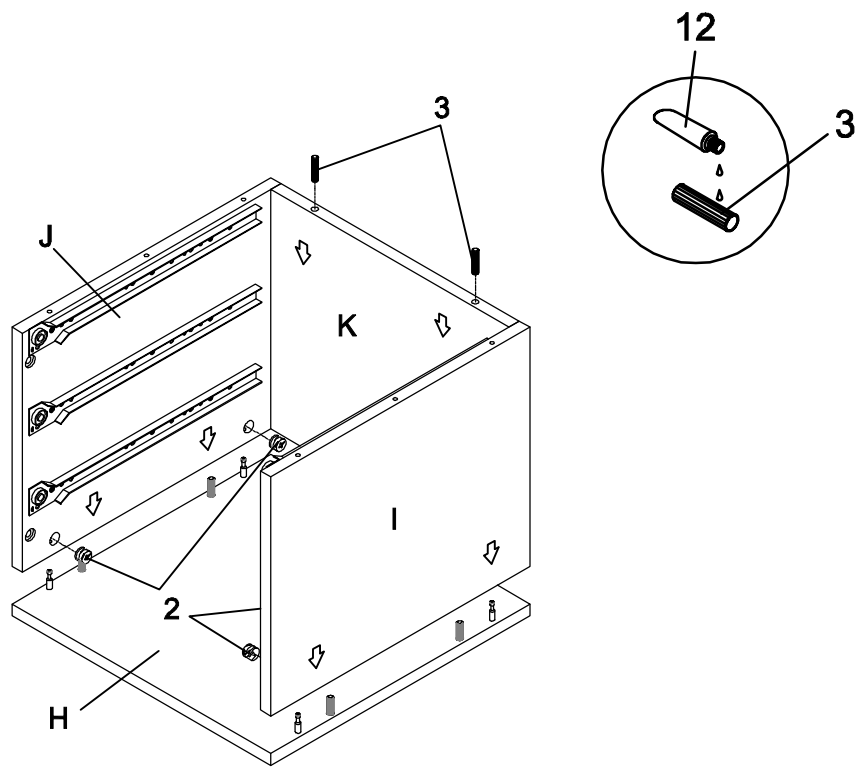
## STEP 5



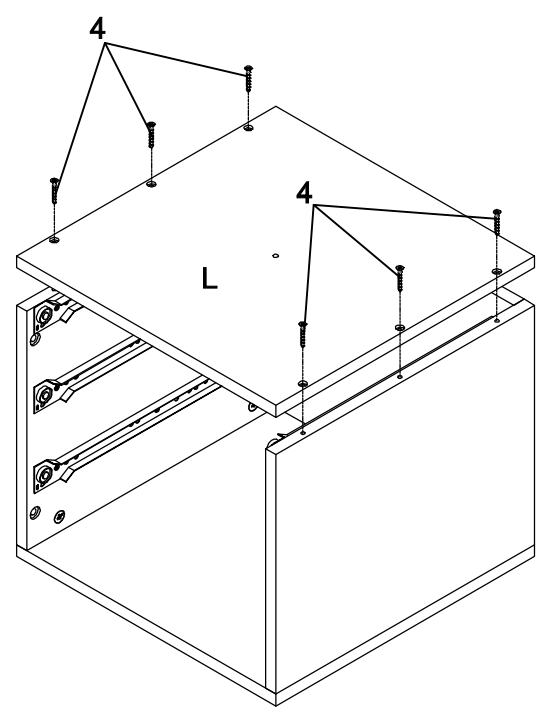
## STEP 6



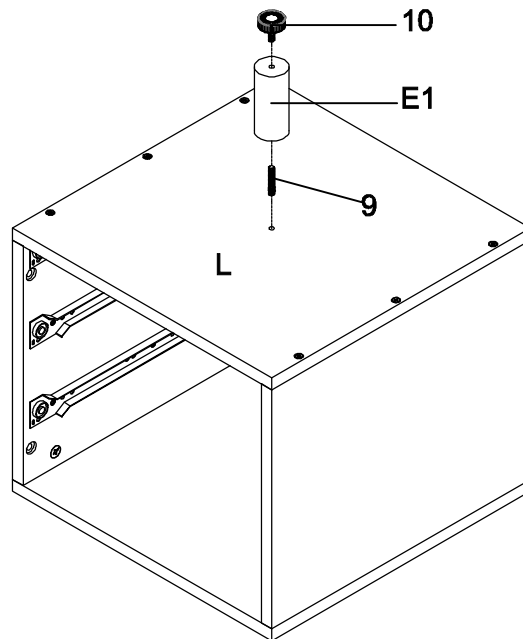
ITEM: 800897  
ASSEMBLY INSTRUCTIONS  
STEP 7



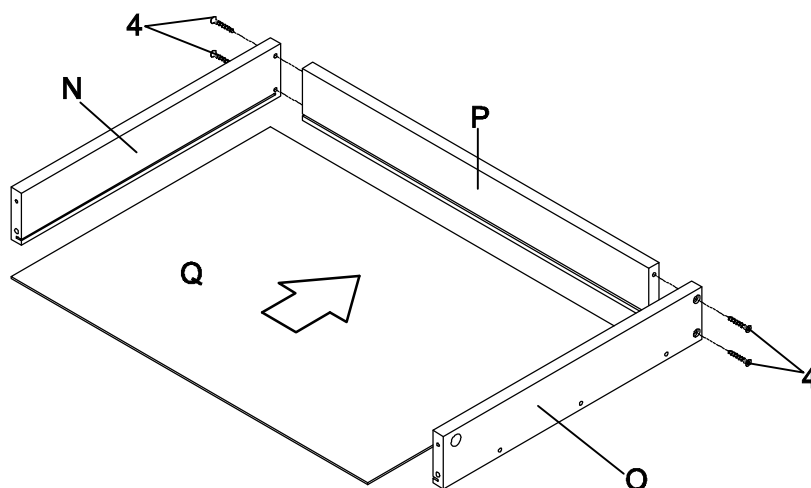
STEP 8



ITEM: 800897  
ASSEMBLY INSTRUCTIONS  
STEP 9



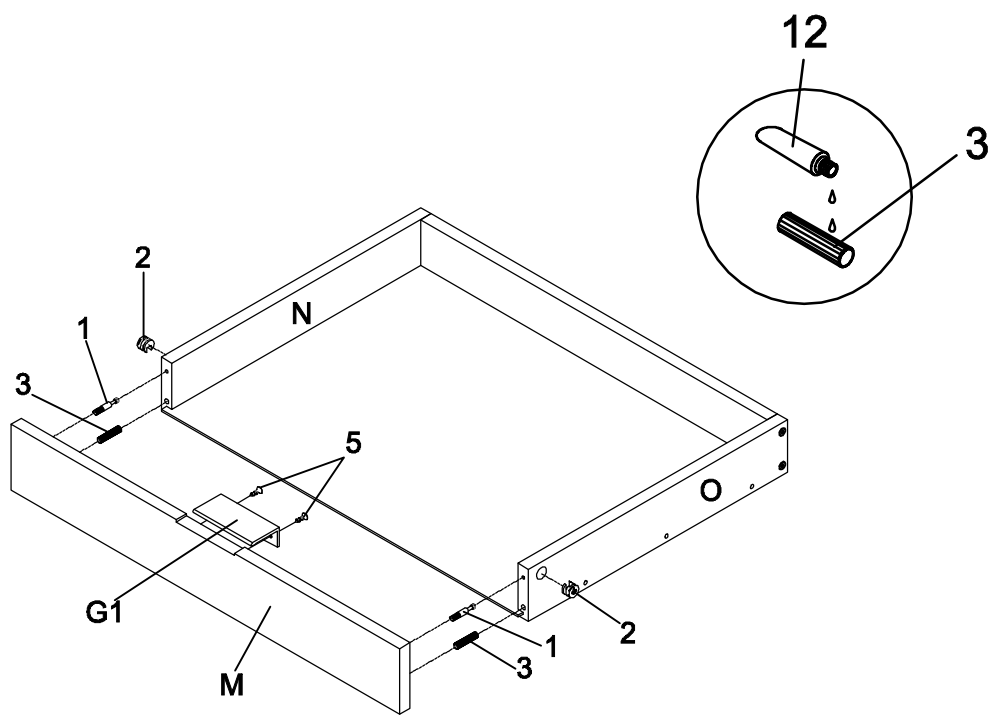
STEP 10



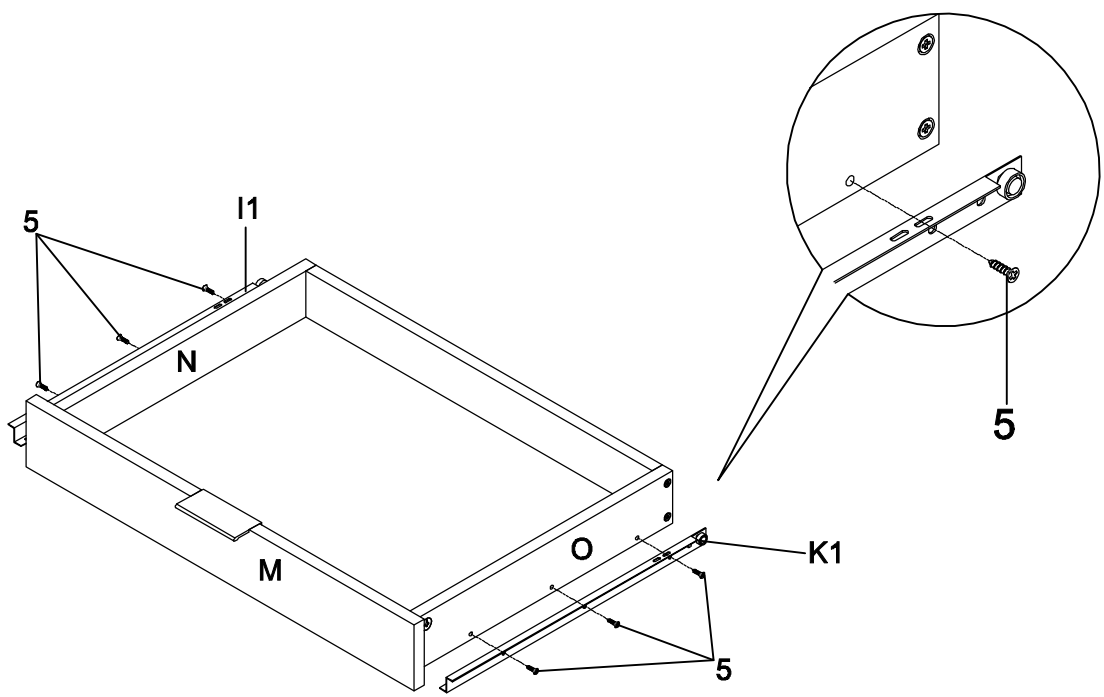
ITEM: 800897  
ASSEMBLY INSTRUCTIONS



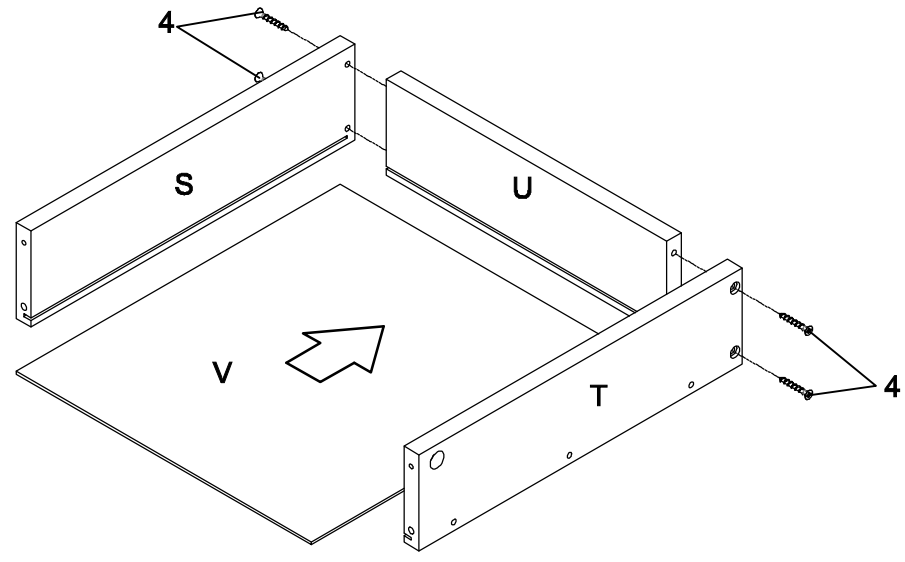
STEP 11



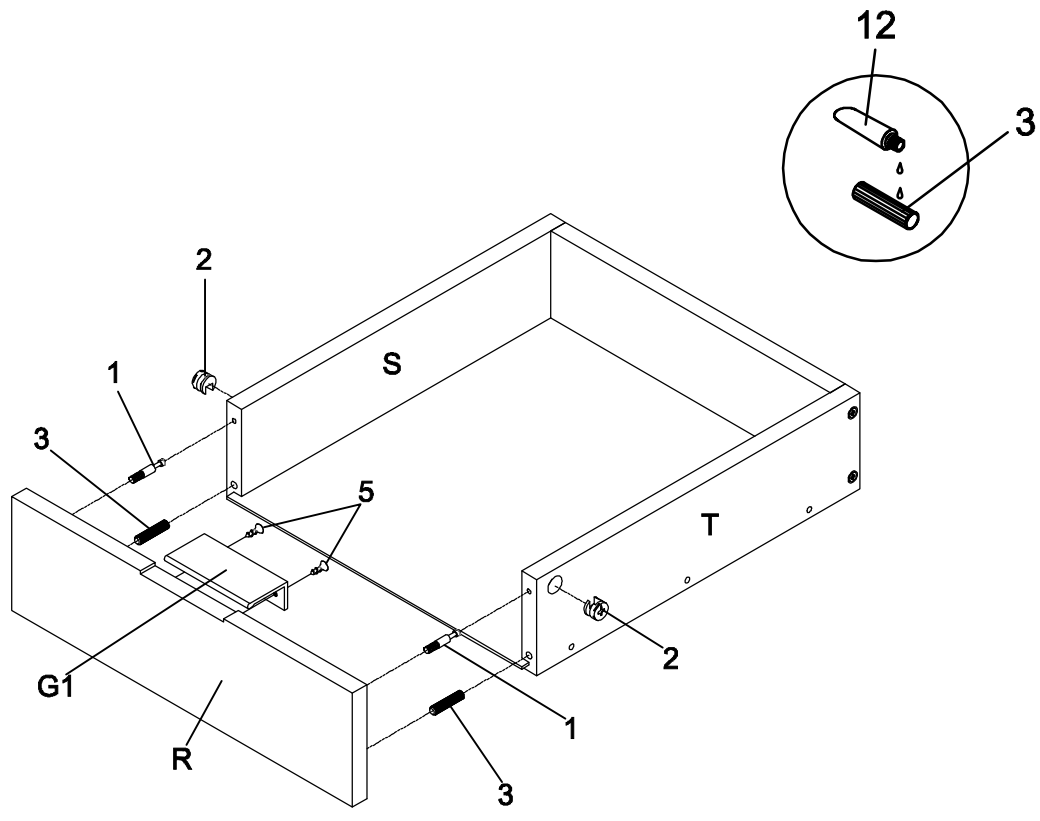
STEP 12



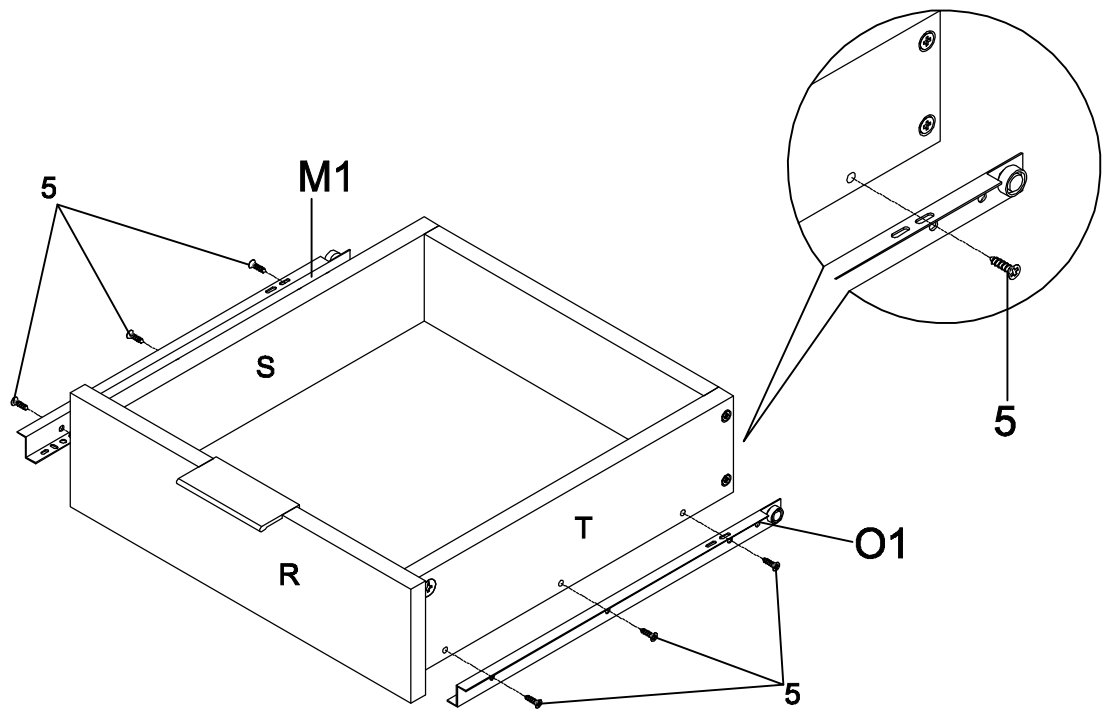
ITEM: 800897  
ASSEMBLY INSTRUCTIONS  
STEP 13



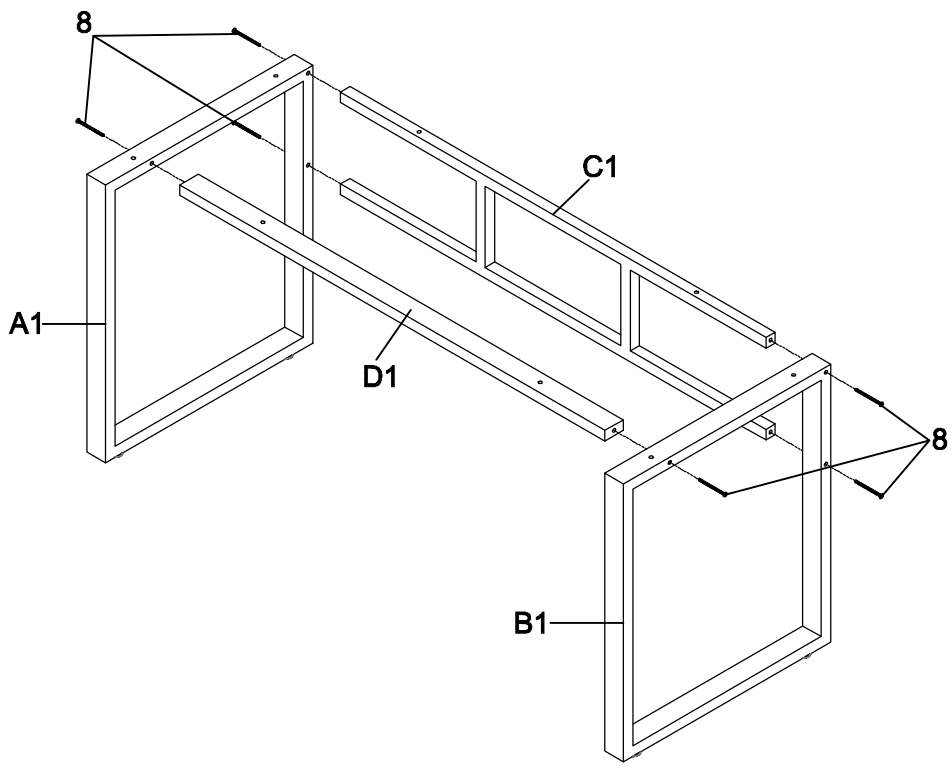
STEP 14



ITEM: 800897  
ASSEMBLY INSTRUCTIONS  
STEP 15



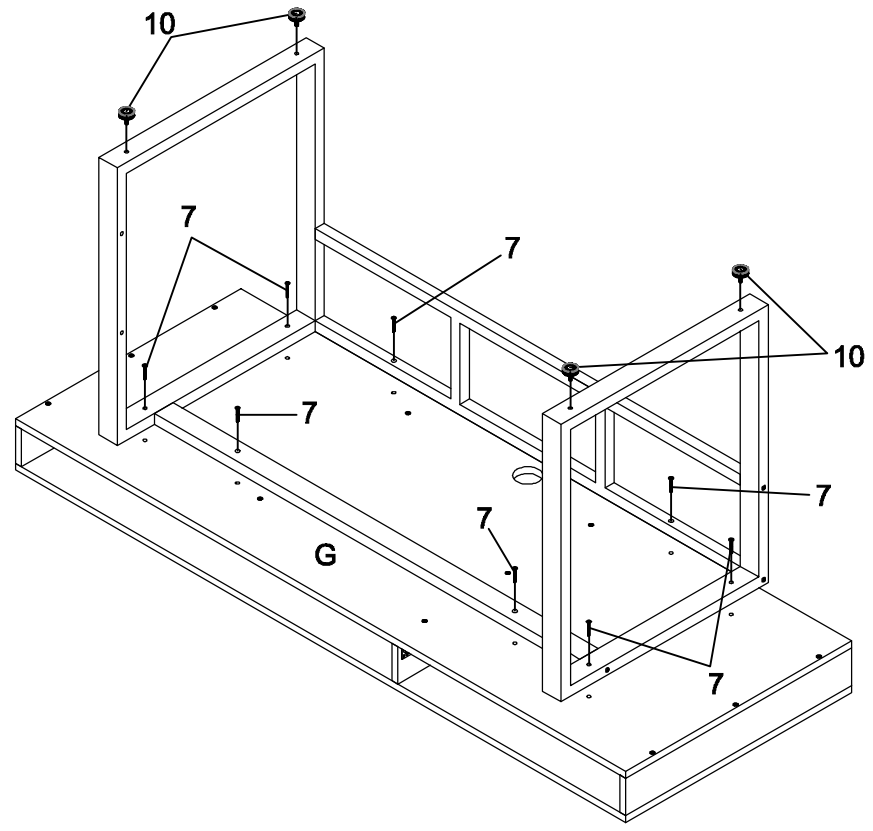
STEP 16



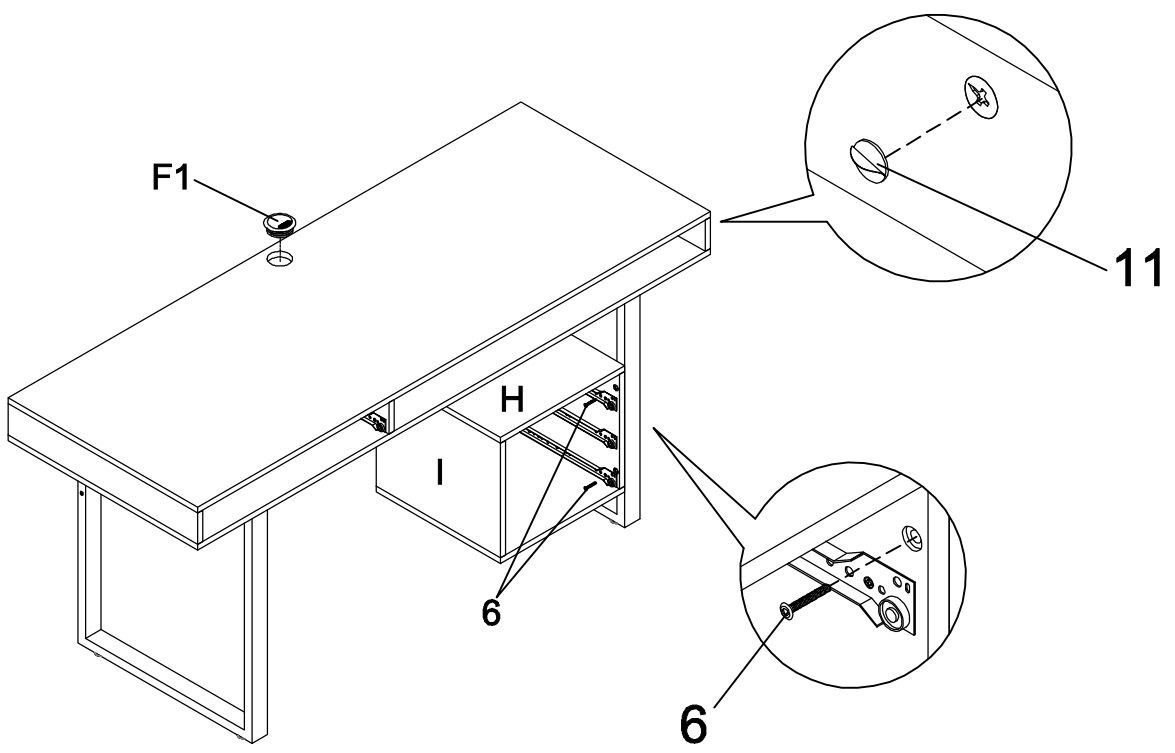
ITEM: 800897  
ASSEMBLY INSTRUCTIONS



STEP 17



STEP 18

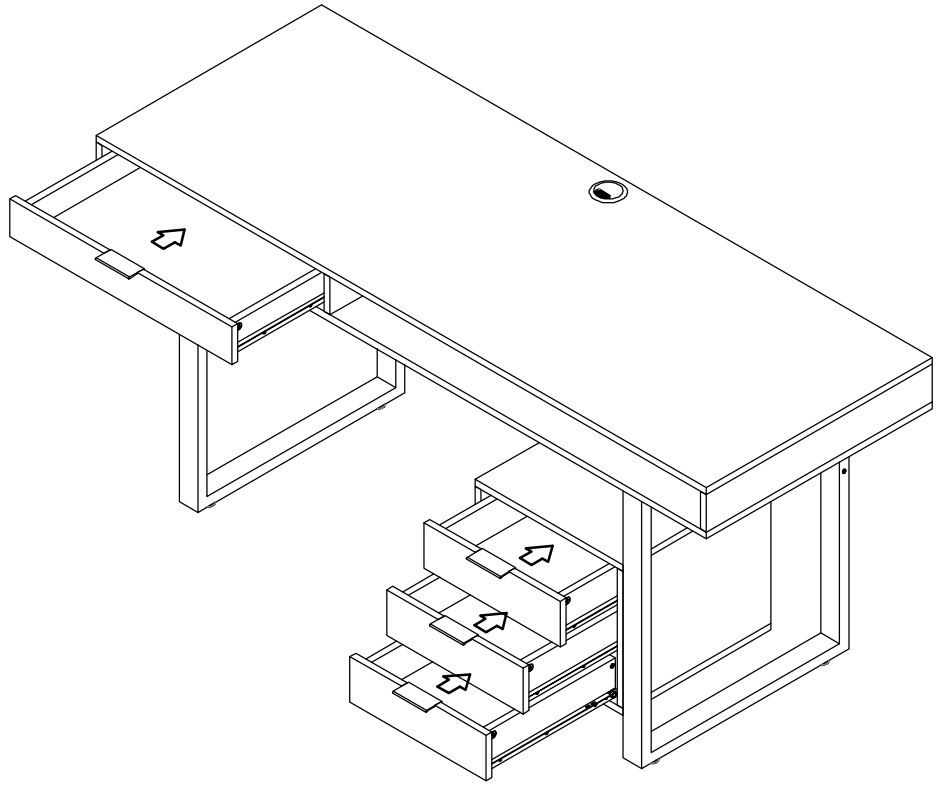




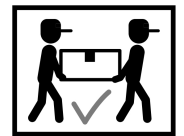
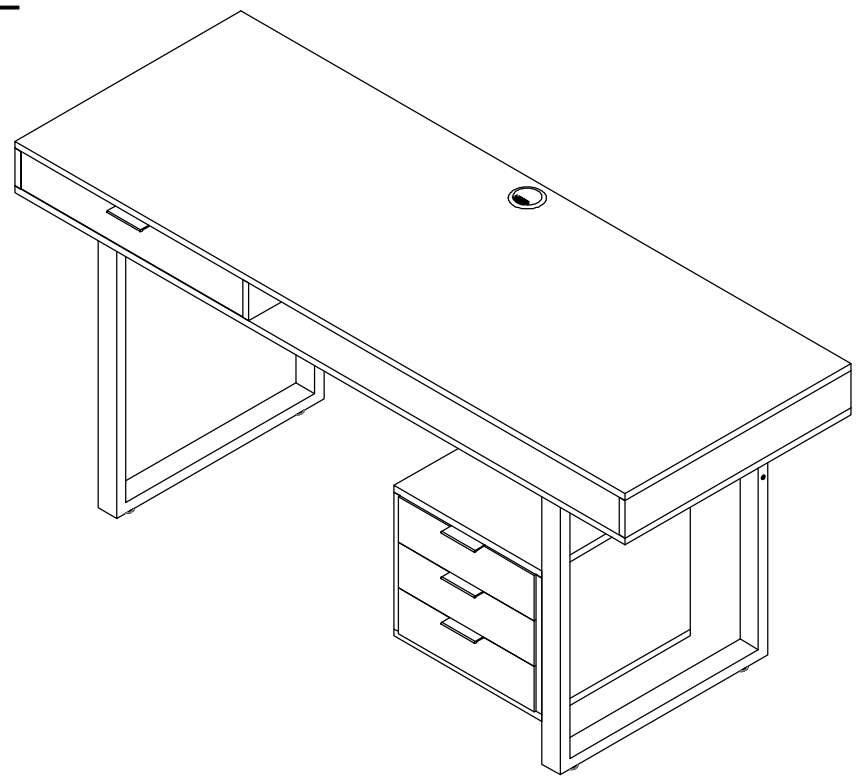
ITEM: 800897  
ASSEMBLY INSTRUCTIONS



STEP 19



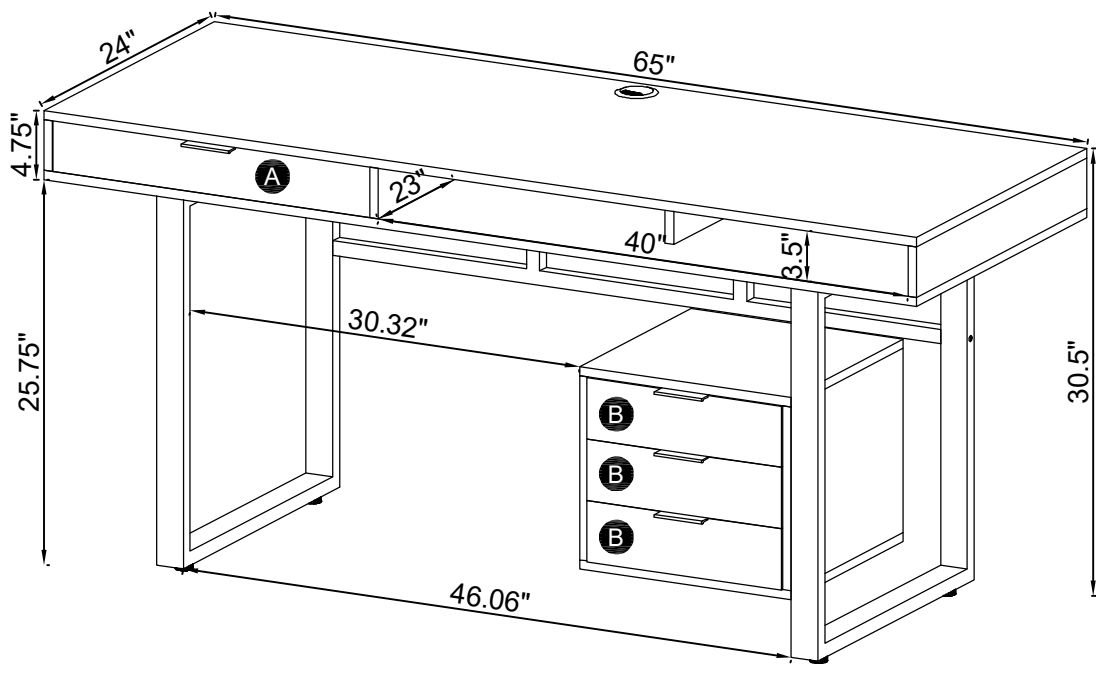
STEP 20  
COMPLETE



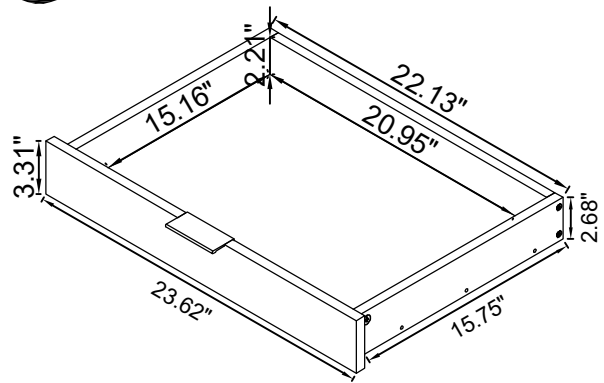
# ITEM: 800897 ASSEMBLY INSTRUCTIONS



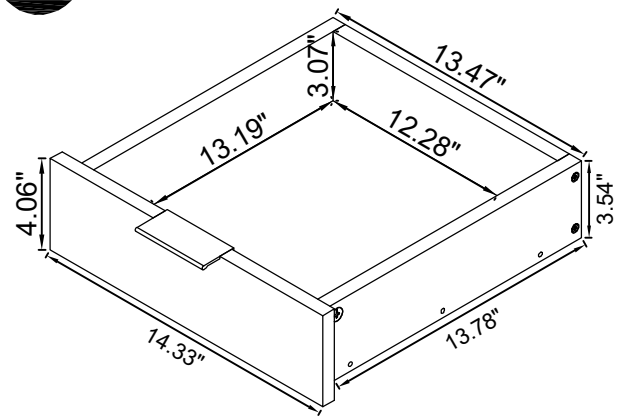
**Product Size : 1651 X 610 X 775 H (MM)**  
**Product Size : 65" X 24" X 30 1/2"**



**A**



**B**



Note : Dimension tolerance  $\pm 5\%$