

ASSEMBLY INSTRUCTIONS
COASTER FINE FURNITURE



Fine Furniture for every stage of life

800901
COMPUTER DESK

ITEM:800901

ASSEMBLY INSTRUCTIONS

ASSEMBLY TIPS:

1. Remove hardware from box and sort by size.
2. Please check to see that all hardware and parts are present prior to start of assembly.
3. Please follow attached instructions in the same sequence as numbered to assure fast & easy assembly.



WARNING!

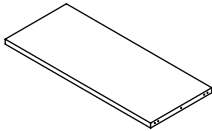
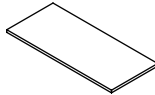
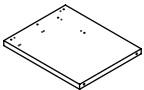
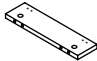
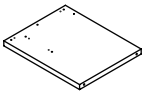
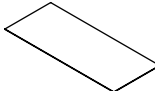
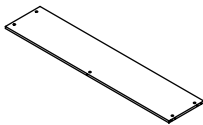
1. Don't attempt to repair or modify parts that are broken or defective. Please contact the store immediately.
2. This product is for home use only and not intended for commercial establishments.



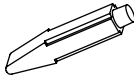

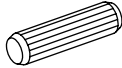


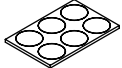
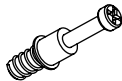
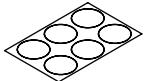
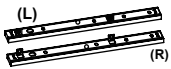
ASSEMBLY TIME

40 MINUTES

PARTS IDENTIFICATION

A	TOP PANEL		1 PC	E	KEYBOARD SHELF		1 PC
B	LEFT SIDE PANEL		1 PC	F	MIDDLE DIVIDER PANEL		1 PC
C	RIGHT SIDE PANEL		1 PC	G	GLASS		1 PC
D	BACK PANEL		1 PC				

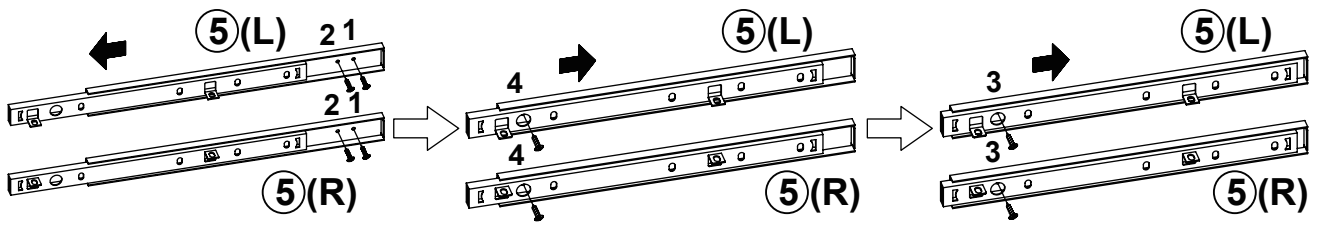
HARDWARE IDENTIFICATION

Z	NO	DESCRIPTION	FIGURE	Q'TY	NO	DESCRIPTION	FIGURE	Q'TY
	1	GLUE 15g		1 PC	6	SCREW Ø 3.5x12.5mm		12 PCS
	2	WOODEN DOWEL Ø 8x30mm		12 PCS	7	PLASTIC FEET M 8x16mm		4 PCS
	3	CAM LOCK Ø 15x12mm		11 PCS	8	FILLING PIECE Ø 12 x 6 HOLE		1 PC
	4	CAM BOLT Ø 7x35.5mm		11 PCS	9	STICKER Ø 20mm		2 PCS
	5	RAIL L = 300mm		1 SET				

Z5,Z6,Z7 not included in blister packaging.

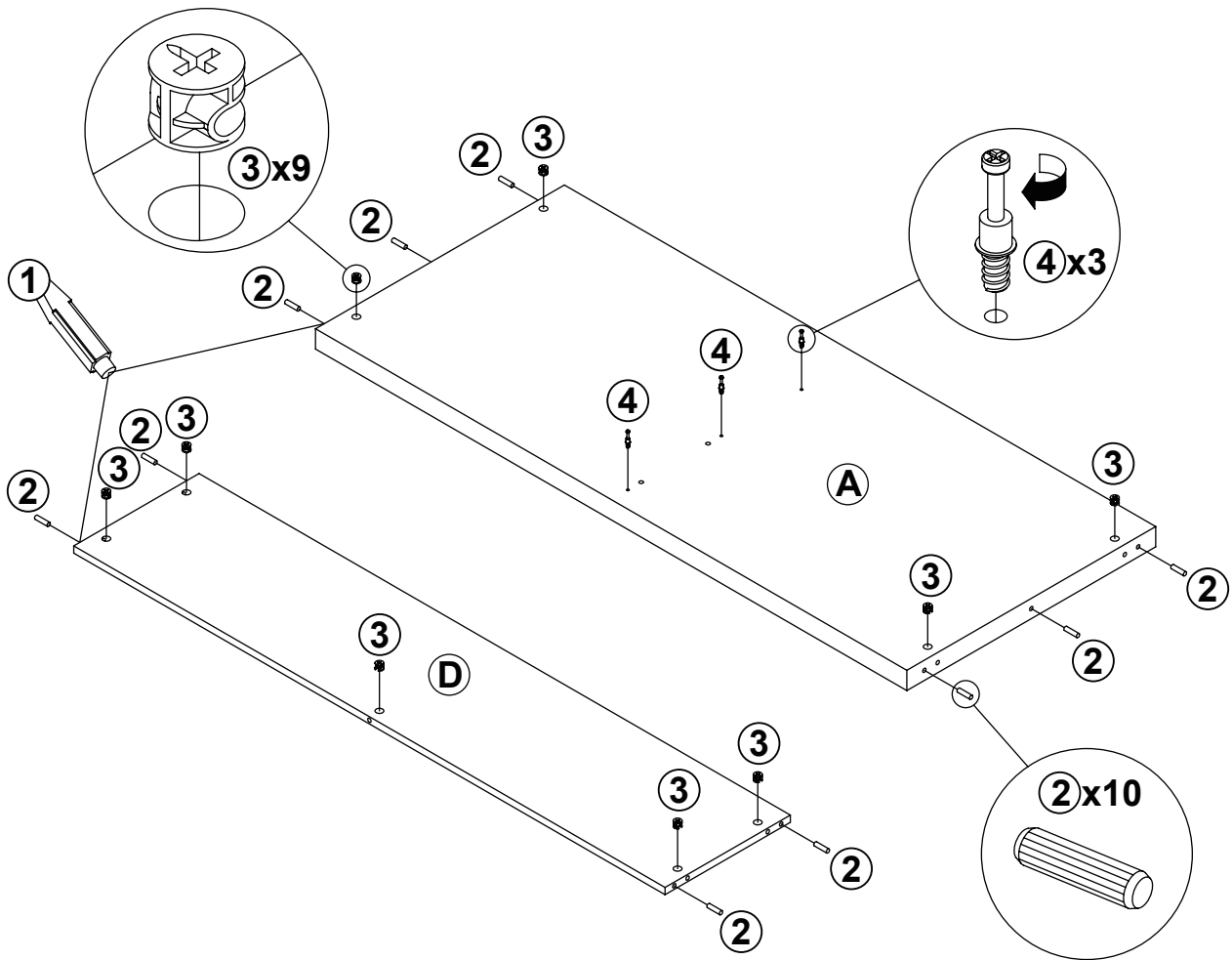
NOTE:

Phillips head screw driver is required in the assembly process; however, manufacturer does not provide this item.



STEP 1

The Glue (1) should be used in the indicated locations to help solidify the assembled unit.

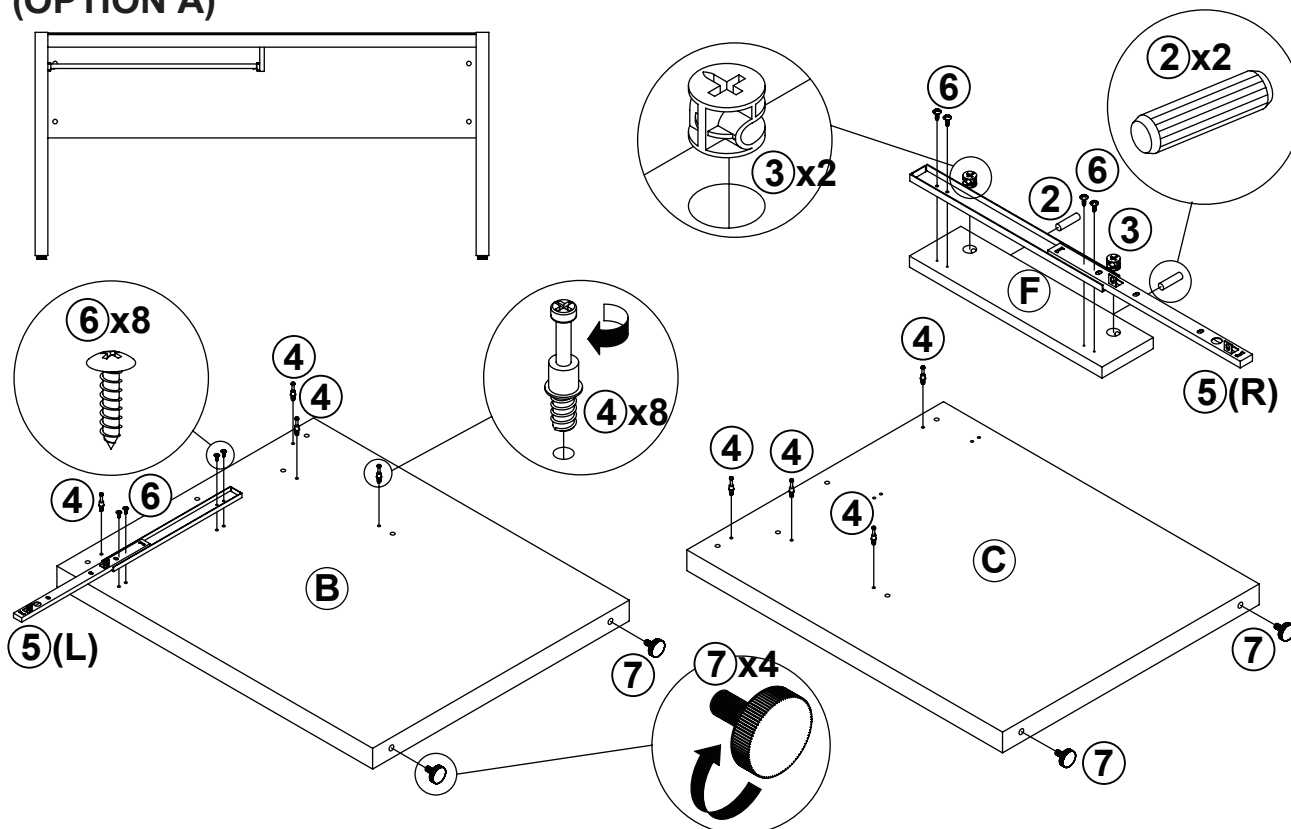


ITEM: 800901

COASTER
FINE FURNITURE

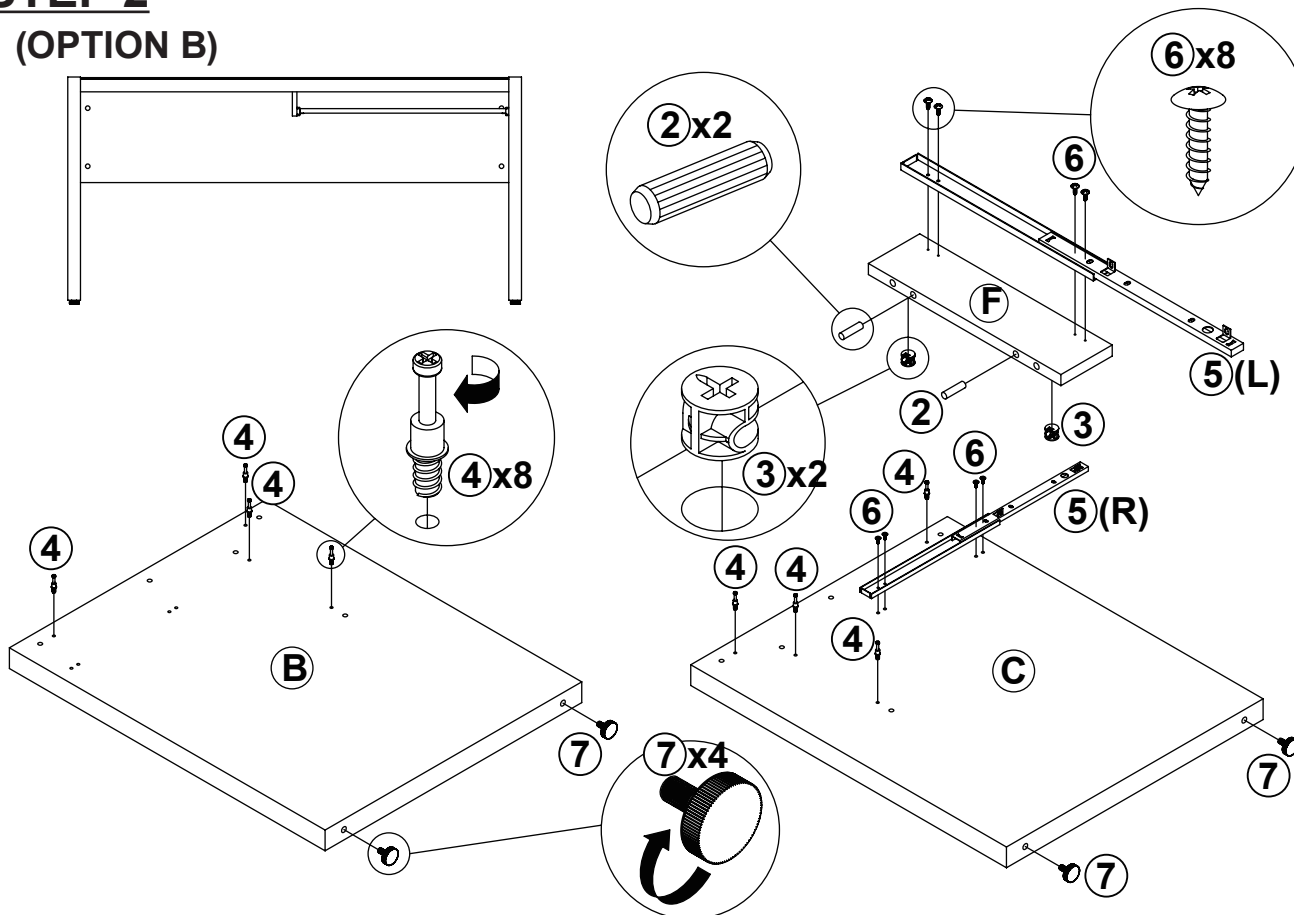
STEP 2

(OPTION A)



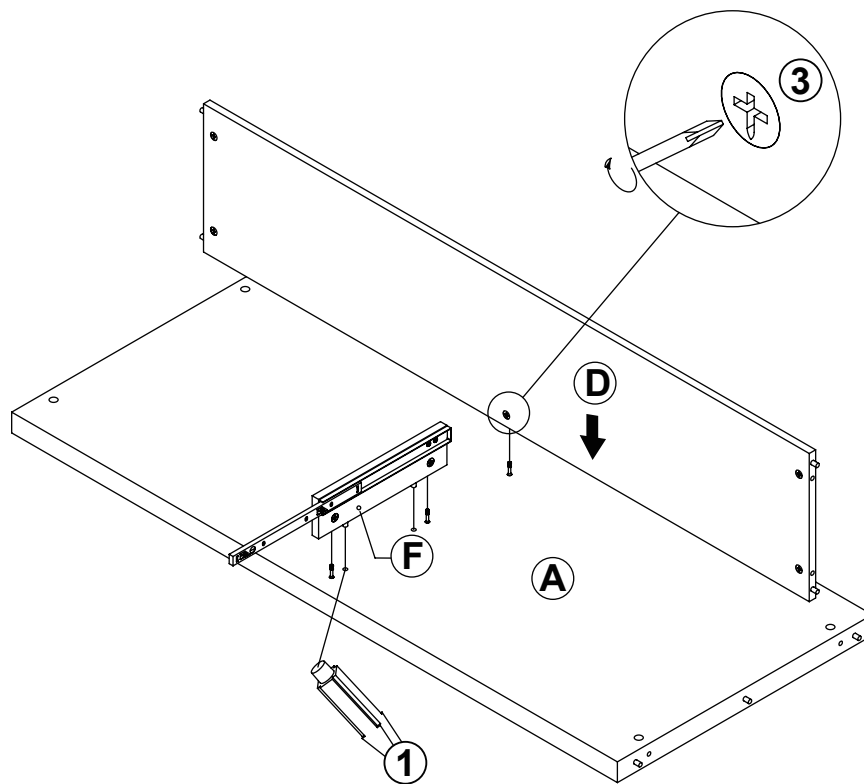
STEP 2

(OPTION B)

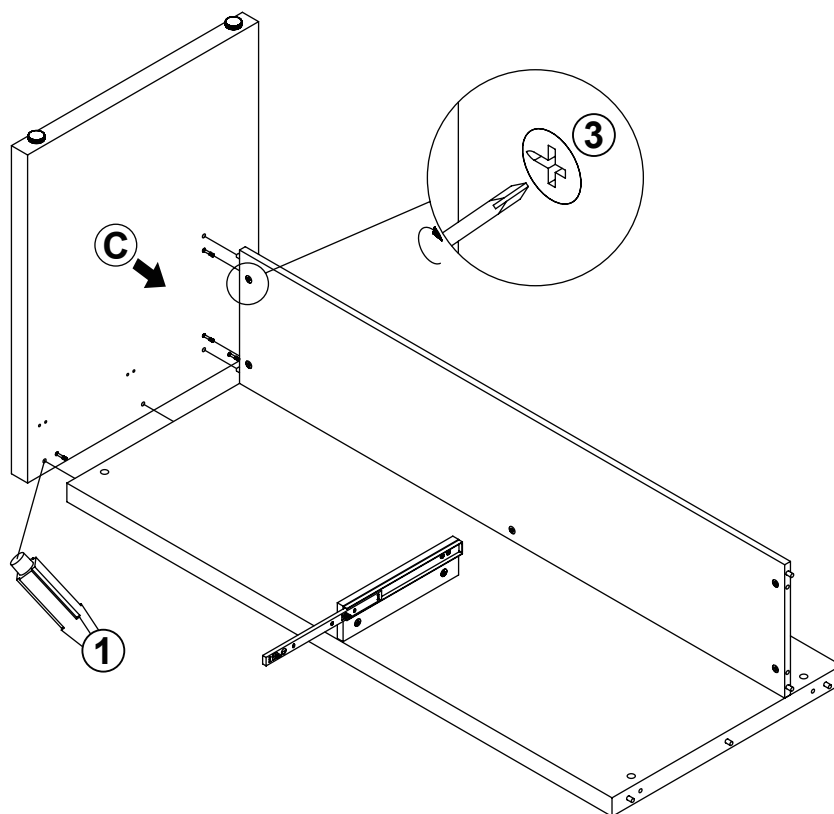


ITEM: 800901

STEP 3

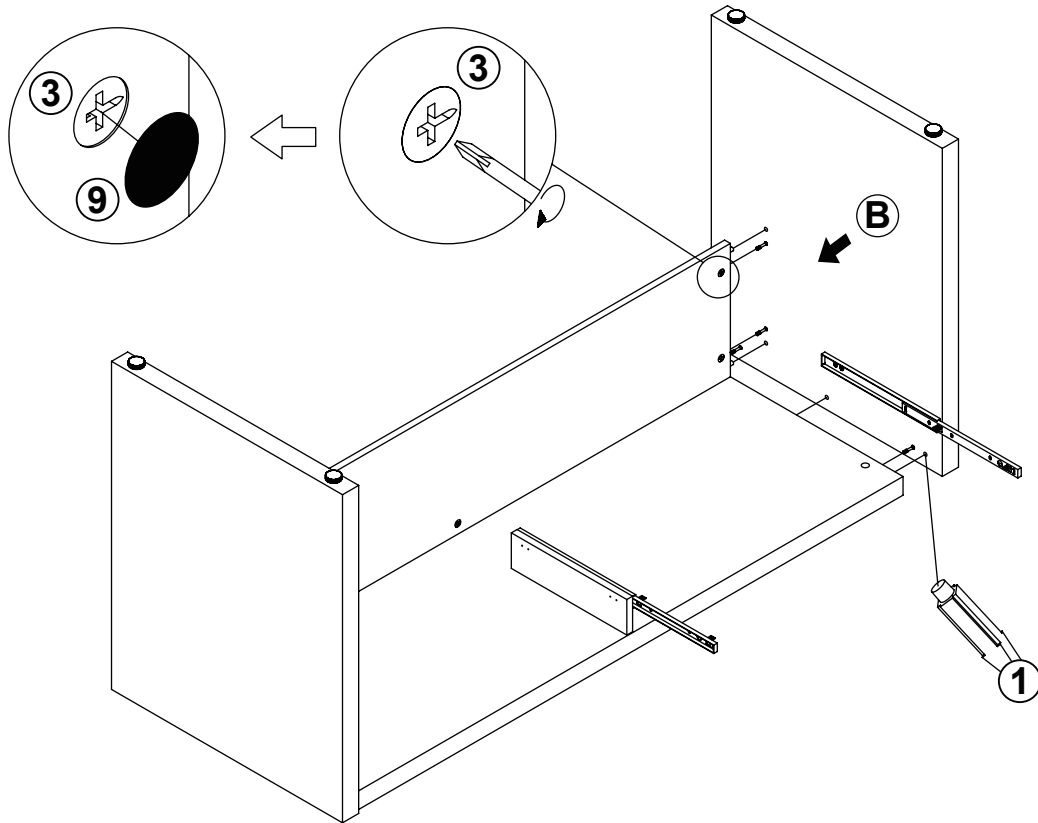


STEP 4



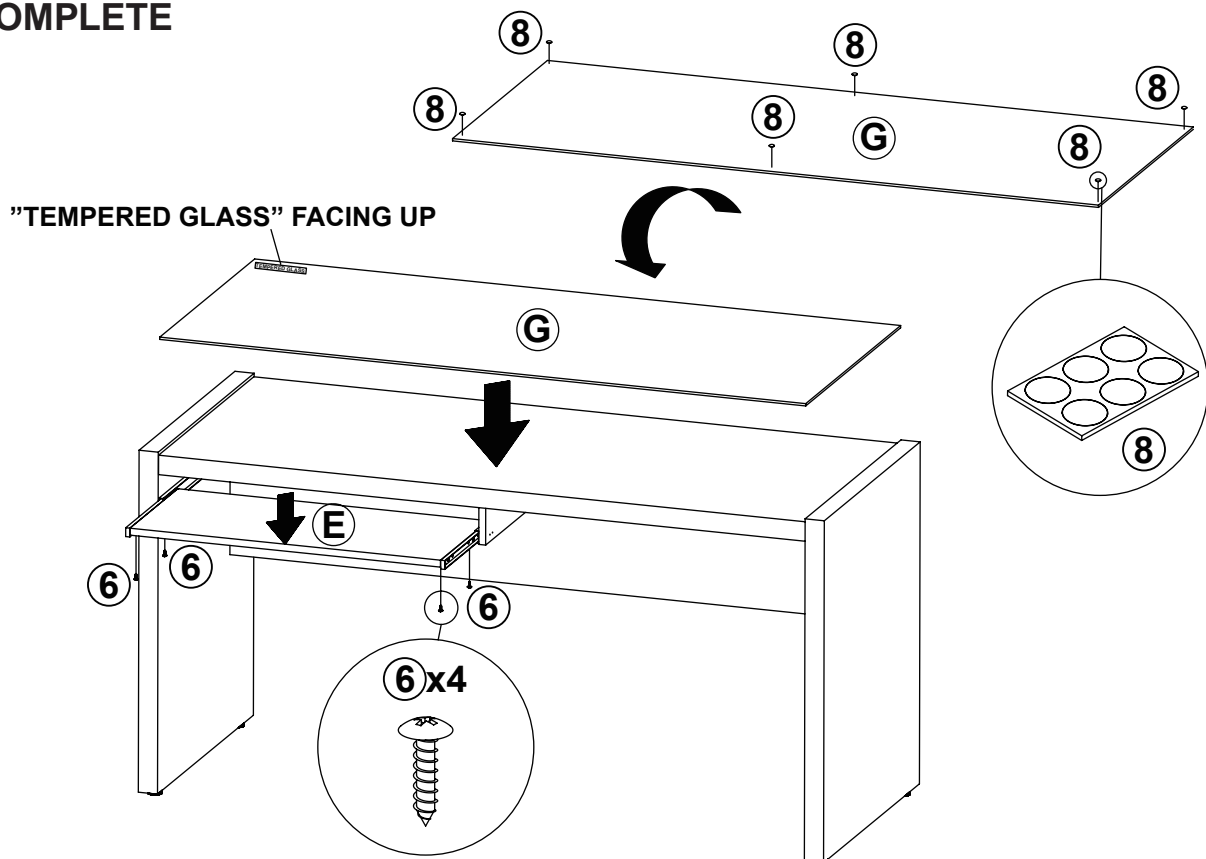
ITEM: 800901

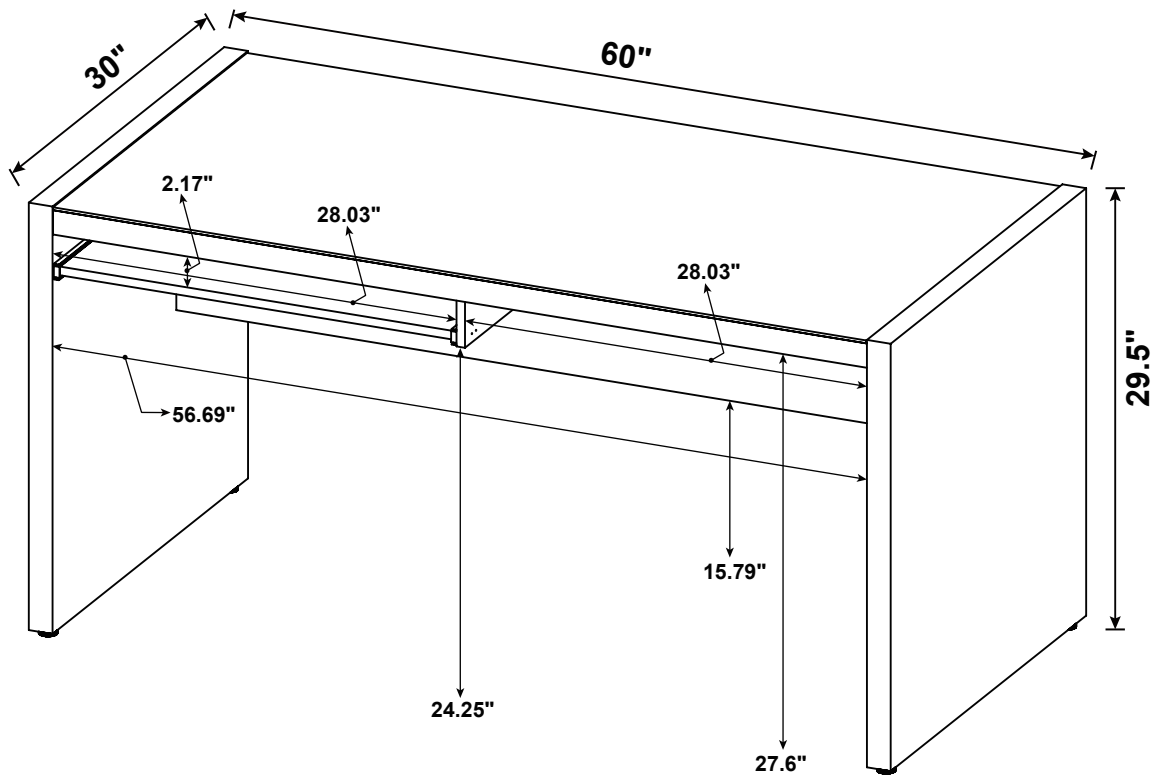
STEP 5



STEP 6

COMPLETE





Note : Dimension tolerance $\pm 5\%$