

**ASSEMBLY INSTRUCTIONS**  
**COASTER FINE FURNITURE**



*Fine Furniture for every stage of life*

**800902**  
**MOBILE RETURN**

ITEM: **800902**

## ASSEMBLY INSTRUCTIONS

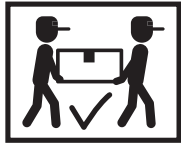
### ASSEMBLY TIPS:

1. Remove hardware from box and sort by size.
2. Please check to see that all hardware and parts are present prior to start of assembly.
3. Please follow attached instructions in the same sequence as numbered to assure fast & easy assembly.



### WARNING!

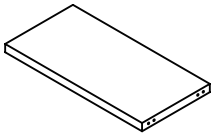
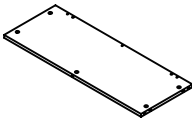
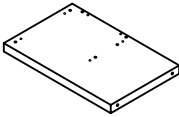

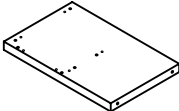
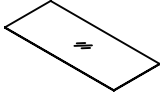
1. Don't attempt to repair or modify parts that are broken or defective. Please contact the store immediately.
2. This product is for home use only and not intended for commercial establishments.





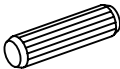
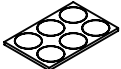

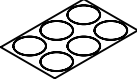



ASSEMBLY TIME

20 MINUTES

## PARTS IDENTIFICATION

|   |                  |   |      |   |            |   |      |
|---|------------------|---|------|---|------------|---|------|
| A | TOP PANEL        |    | 1 PC | D | BACK PANEL |    | 1 PC |
| B | LEFT SIDE PANEL  |    | 1 PC | E | SHELF      |    | 1 PC |
| C | RIGHT SIDE PANEL |  | 1 PC | F | GLASS      |  | 1 PC |

## HARDWARE IDENTIFICATION

| Z | NO | DESCRIPTION              | FIGURE  | Q'TY   | NO | DESCRIPTION                      | FIGURE  | Q'TY  |
|---|----|--------------------------|---|--------|----|----------------------------------|---|-------|
|   | 1  | GLUE 15g                 |  | 1 PC   | 6  | CASTER<br>Ø 40mm                 |  | 2 PCS |
|   | 2  | WOODEN DOWEL<br>Ø 8x30mm |  | 14 PCS | 7  | FILLING PIECE<br>Ø 12mm x 6 HOLE |  | 1 PC  |
|   | 3  | CAM LOCK<br>Ø 15x12mm    |  | 13 PCS | 8  | STICKER<br>Ø 20mm                |  | 3 PCS |
|   | 4  | CAM BOLT<br>Ø 7x35.5mm   |  | 13 PCS | 9  | SCREW<br>Ø 4.5x42mm              |  | 3 PCS |
|   | 5  | LOCK CASTER<br>Ø 40mm    |  | 2 PCS  |    |                                  |   |       |

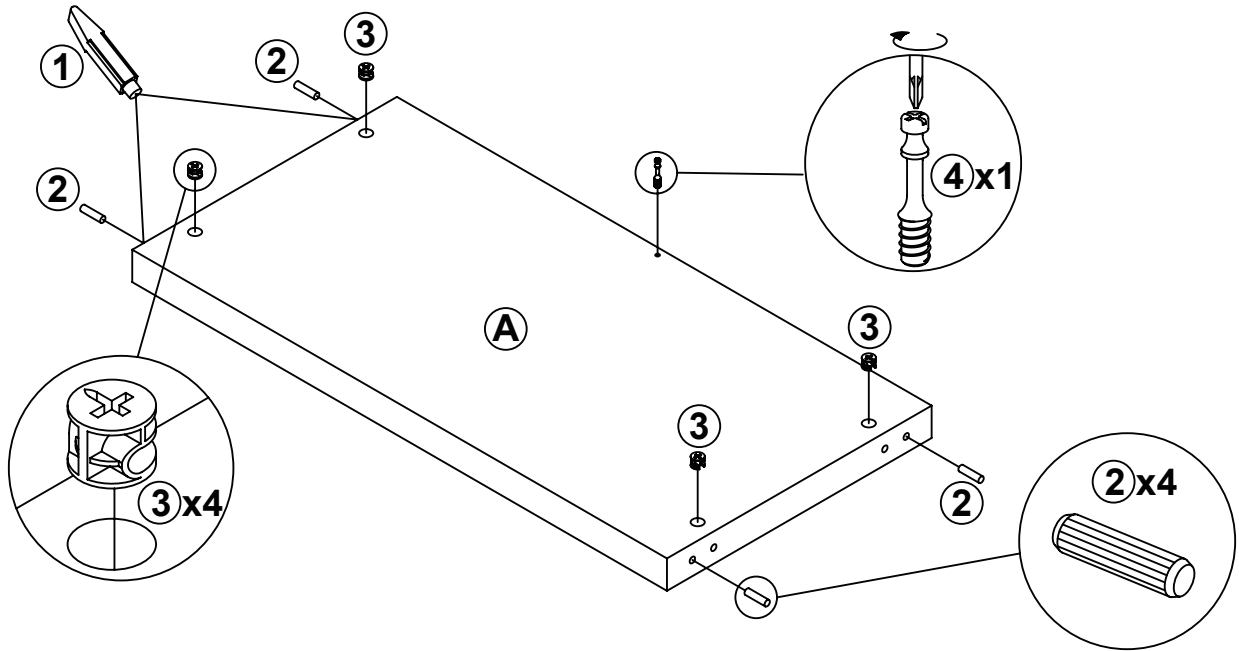
Z5,Z6 not included in blister packaging.

### NOTE:

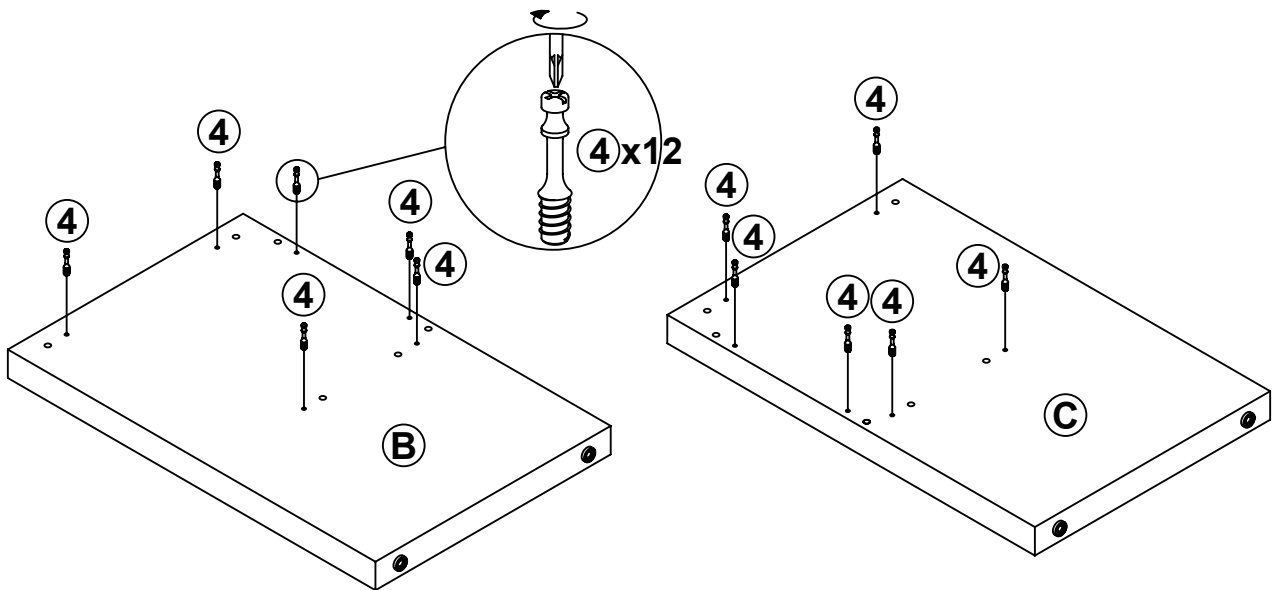
Phillips head screw driver is required in the assembly process; however, manufacturer does not provide this item.

## STEP 1

The Glue (1) should be used in the indicated locations to help solidify the assembled unit.

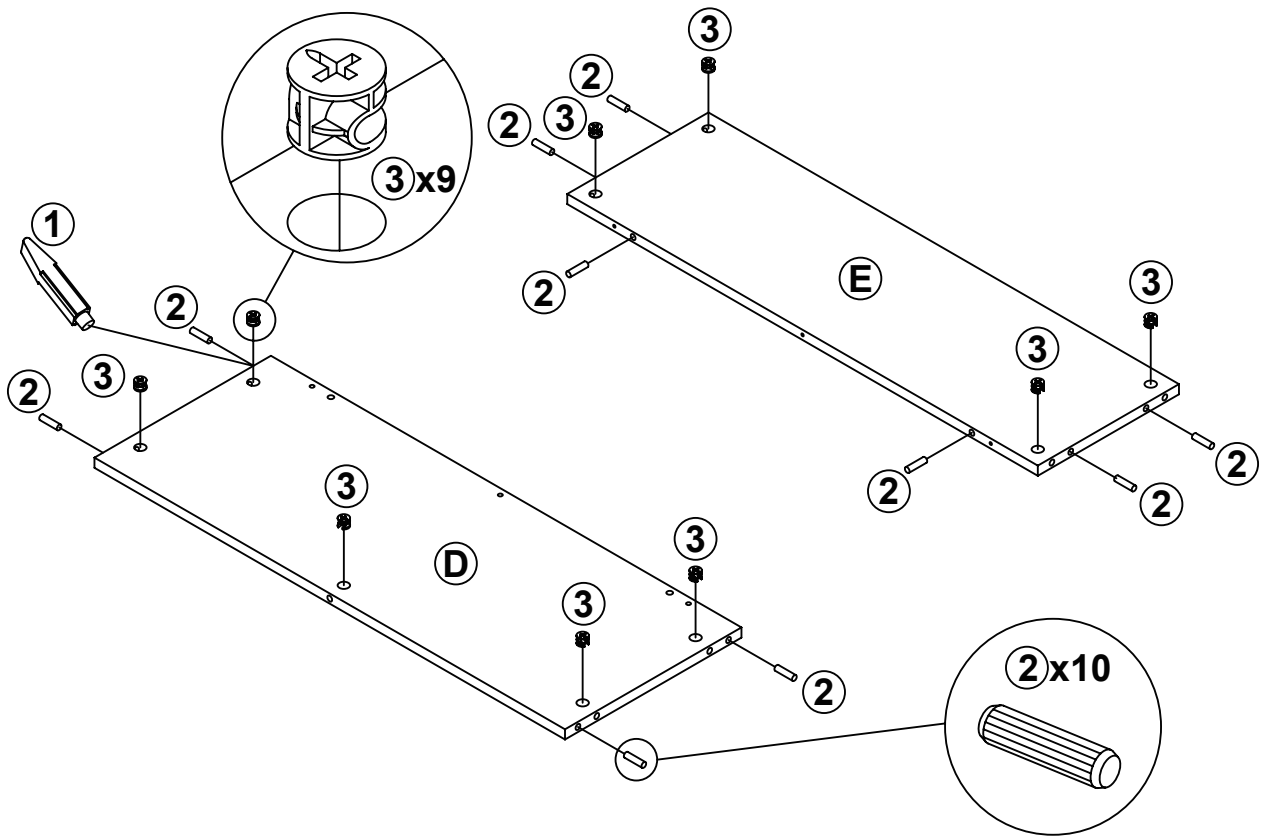


## STEP 2

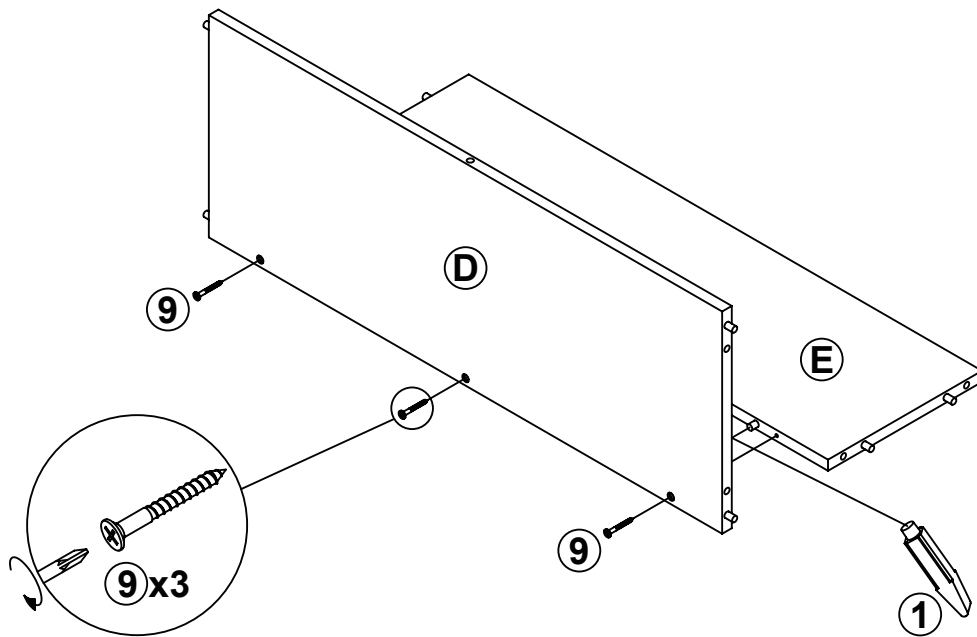


ITEM: 800902

**STEP 3**

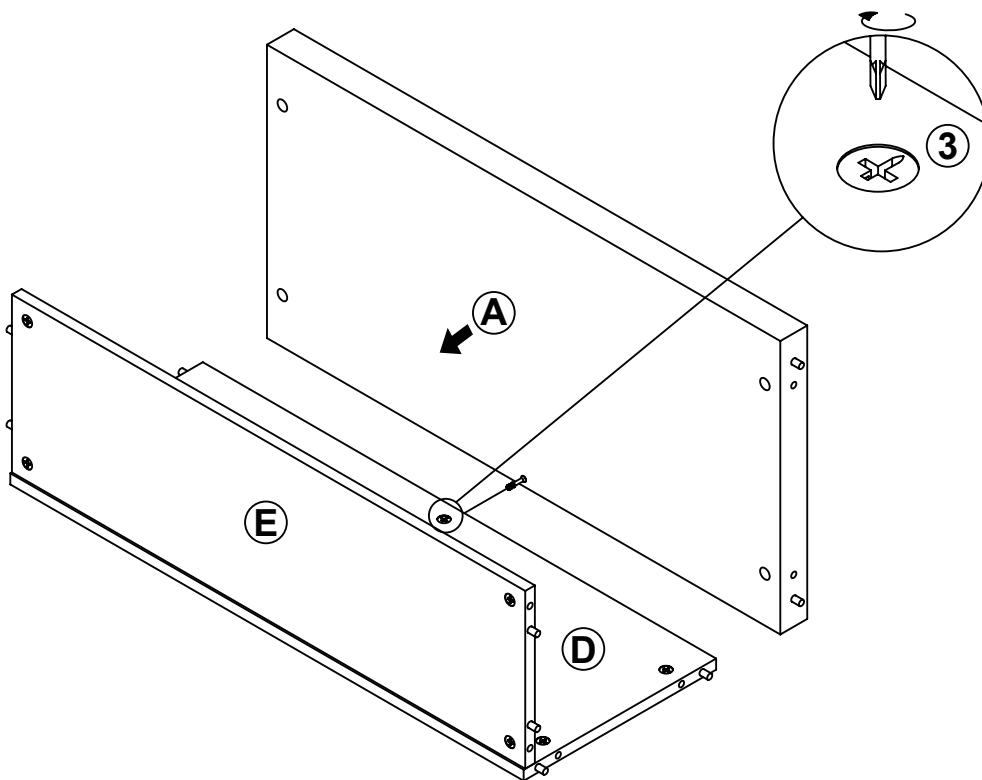


**STEP 4**

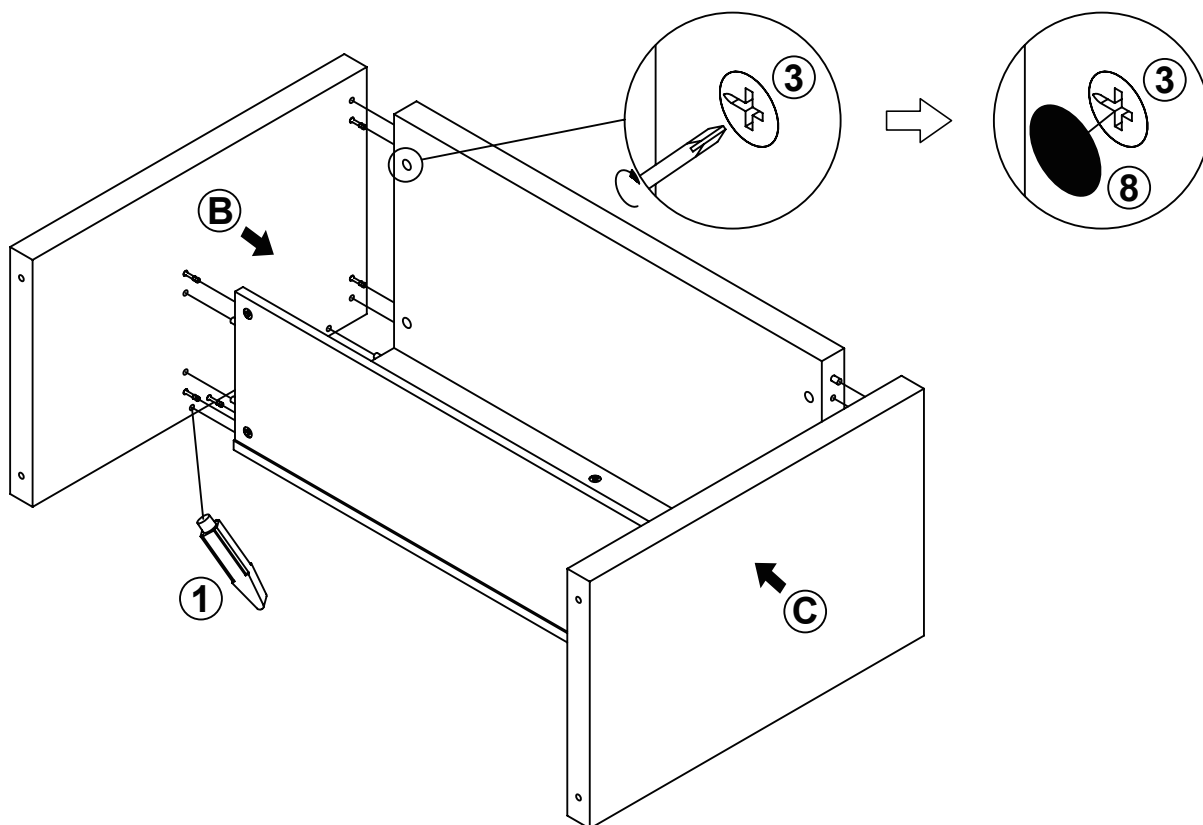


ITEM: **800902**

**STEP 5**

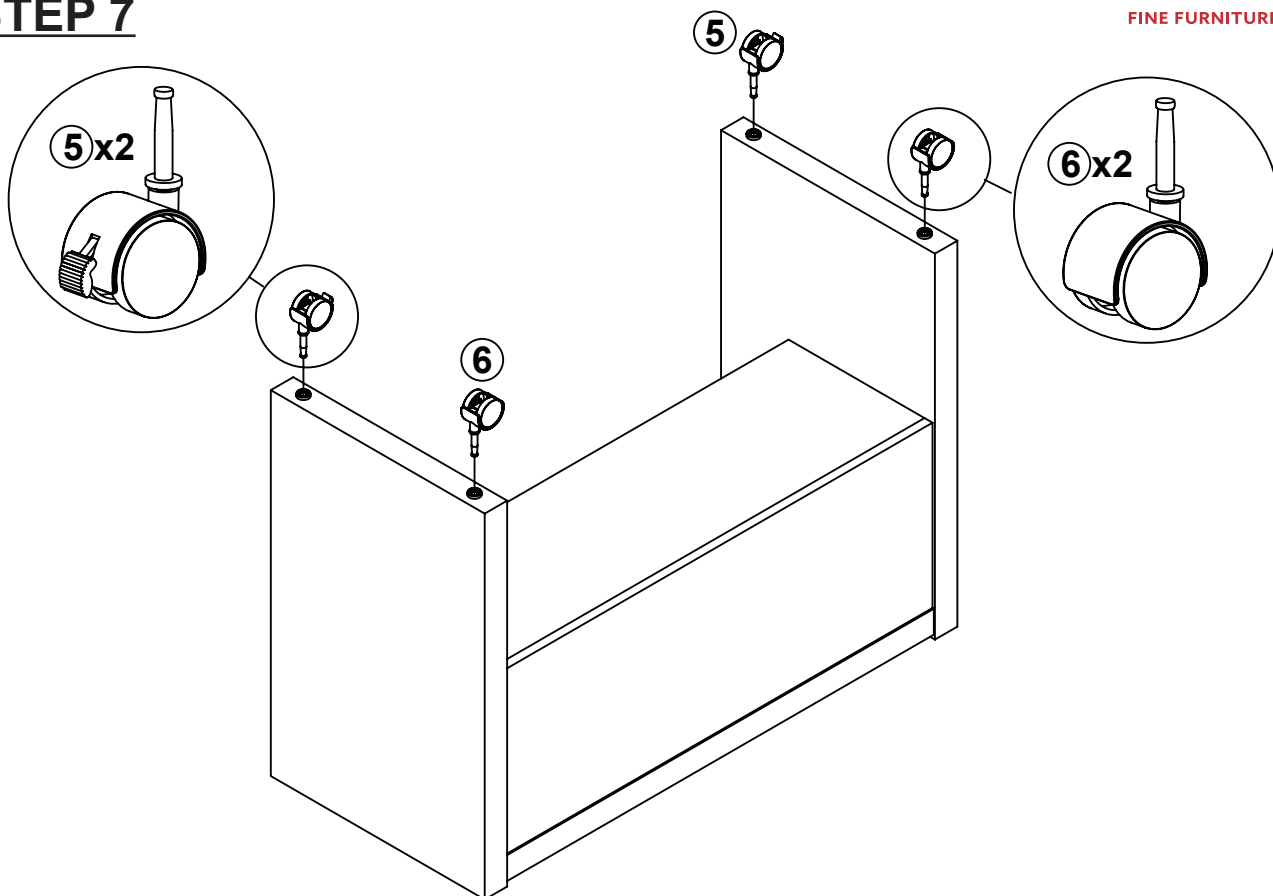


**STEP 6**

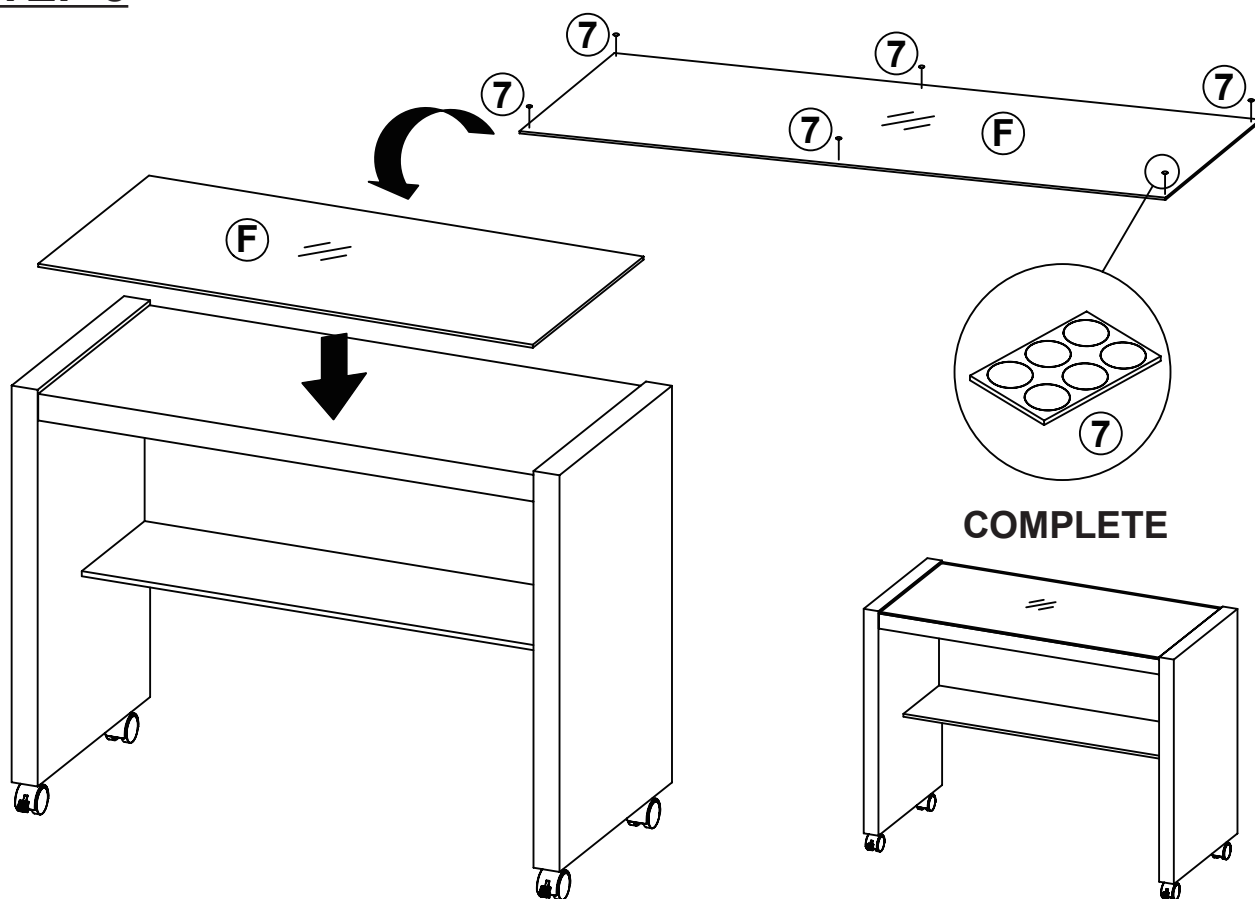


ITEM: 800902

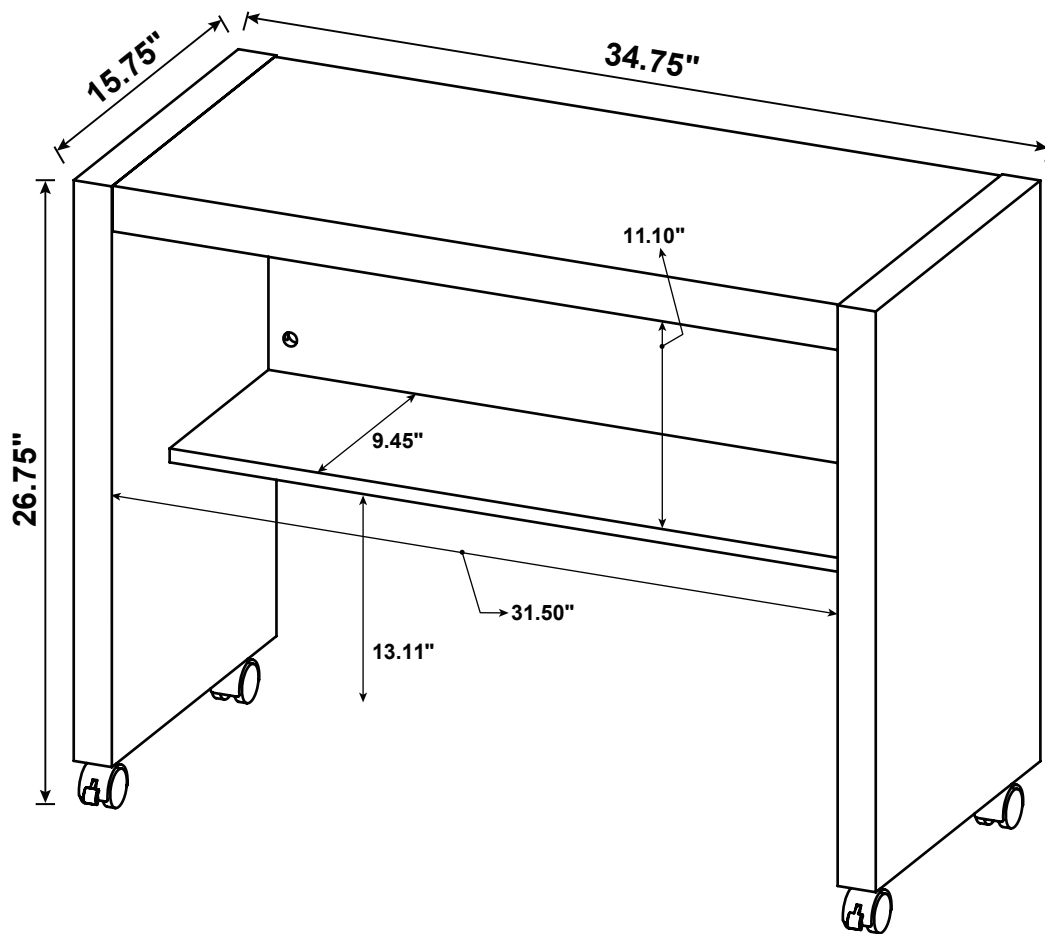
**STEP 7**



**STEP 8**



ITEM: 800902



**Note :** Dimension tolerance  $\pm 5\%$