

*ASSEMBLY INSTRUCTIONS*  
*COASTER FINE FURNITURE*



*Fine Furniture for every stage of life*

**801018**  
**BOOK SHELF**

REVISION 0 : 09/14/2017  
REVISION 1 : 06/24/2022

ITEM: 801018



# ASSEMBLY INSTRUCTIONS

## ASSEMBLY TIPS:

1. Remove hardware from box and sort by size.
2. Please check to see that all hardware and parts are present prior to start of assembly.
3. Please follow attached instructions in the same sequence as numbered to assure fast & easy assembly.



## WARNING!

1. Don't attempt to repair or modify parts that are broken or defective. Please contact the store immediately.
2. This product is for home use only and not intended for commercial establishments.

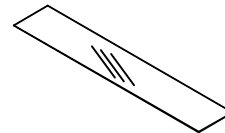


ASSEMBLY TIME 55 MINUTES

## PARTS IDENTIFICATION

A

TOP GLASS



1PC

B

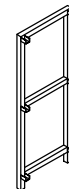
SHELF GLASS



4PCS

C

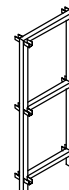
SIDE FRAME



2PCS

D

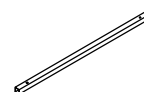
MIDDLE FRAME



1PC

E

CROSSBARS



12PCS

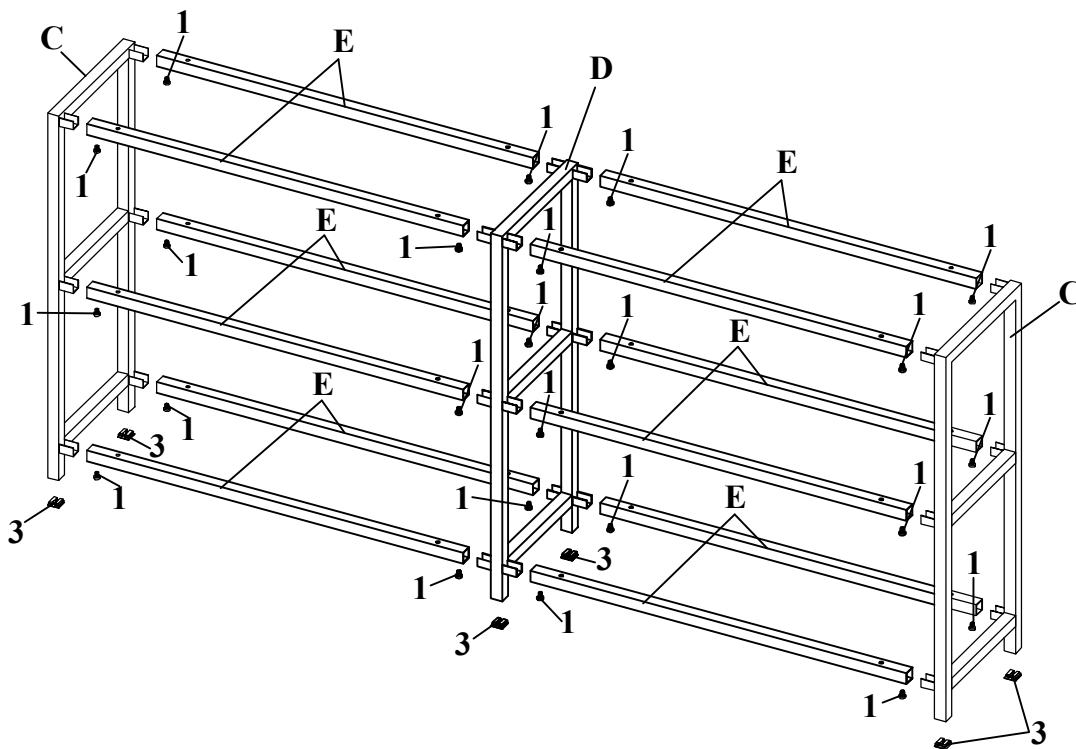
# ITEM: 801018 ASSEMBLY INSTRUCTIONS



## HARDWARE IDENTIFICATION

1	SHORT BOLT (1/4" x 12mm BLK)		24PCS
2	SUCTION CUP ( $\phi$ 19 x 9mm)		24PCS
3	CAP (20 x 20mm)		6PCS
4	ALLEN WRENCH (4mm)		1PC

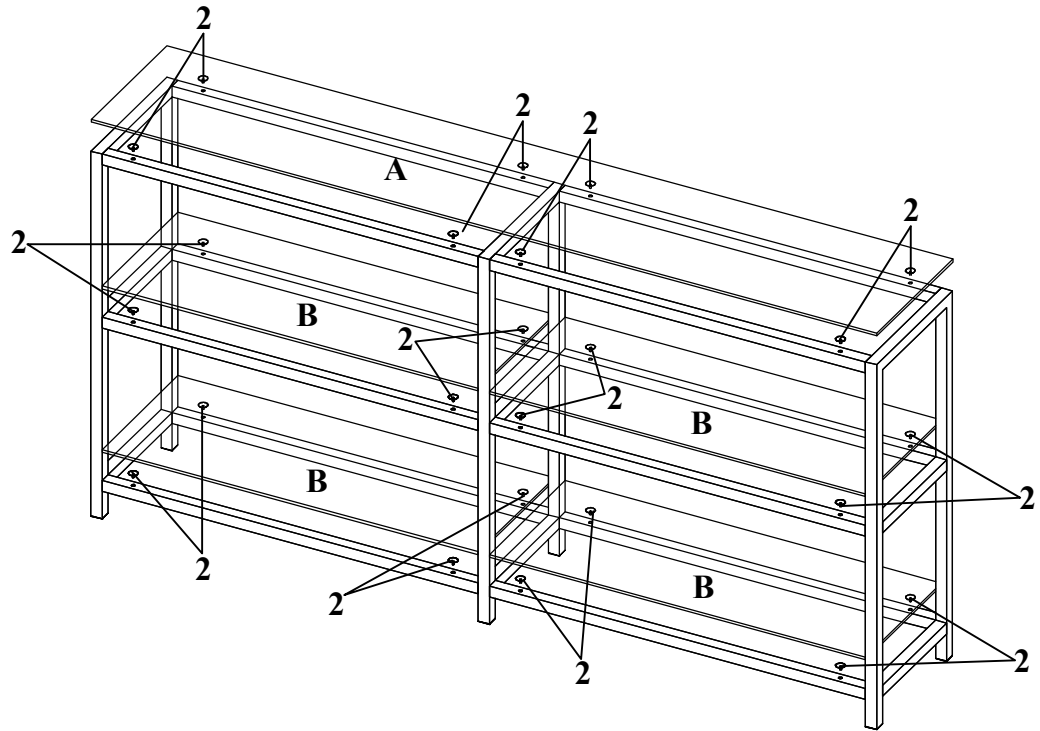
**STEP 1** Do not tighten until each step is completed or instructed.



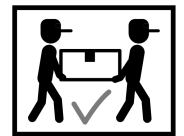
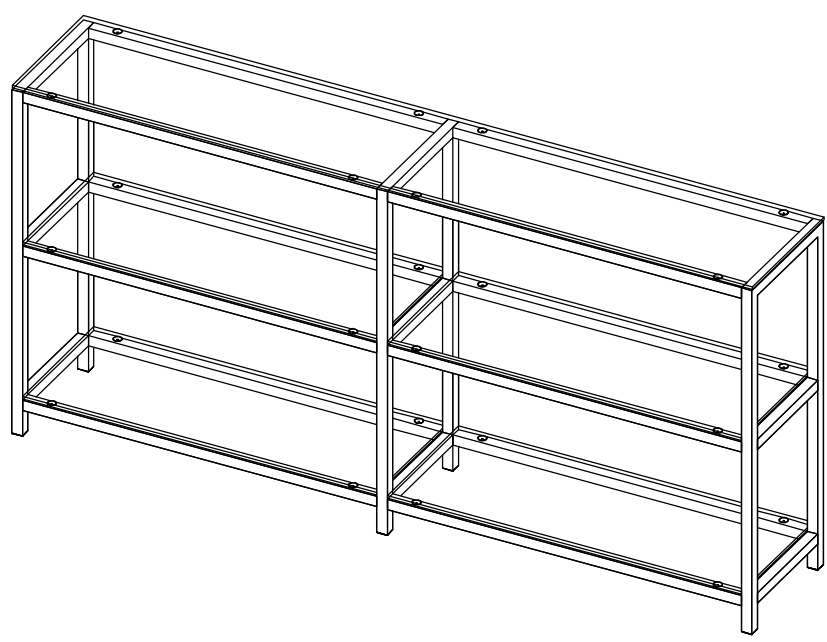
ITEM: 801018  
ASSEMBLY INSTRUCTIONS



STEP 2



STEP 3

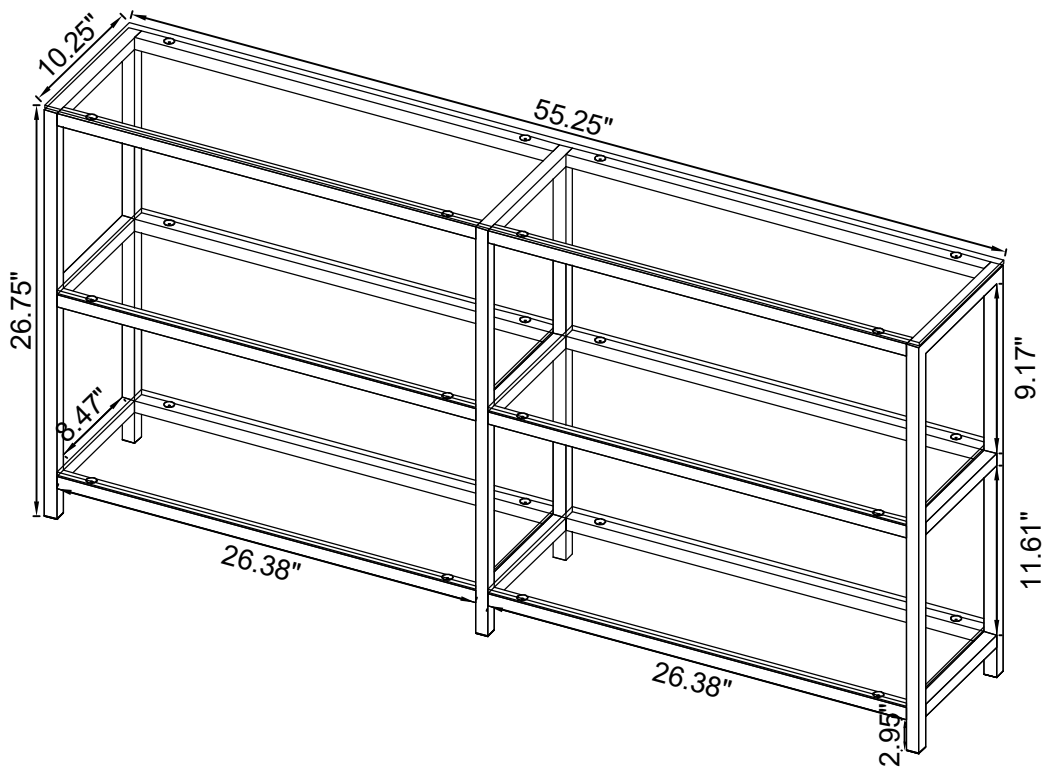


# ITEM:801018 ASSEMBLY INSTRUCTIONS



**Product Size : 1403 X 260 X 679 H (MM)**

**Product Size : 55.25" X 10.25" X 26.75"**



Note : Dimension tolerance  $\pm 5\%$